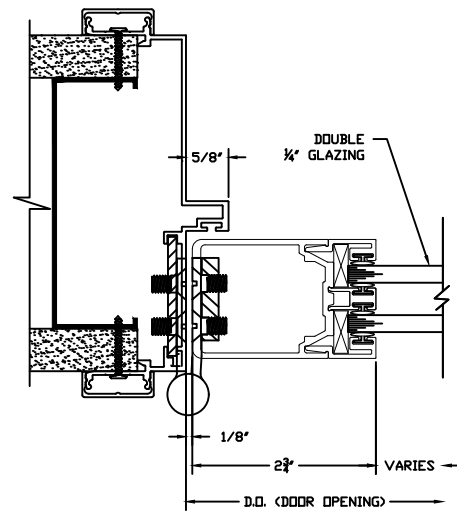
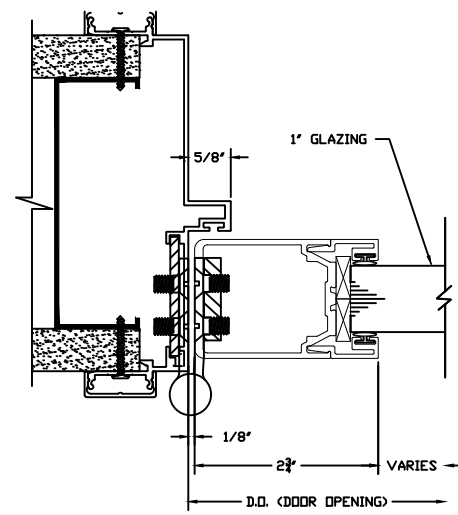


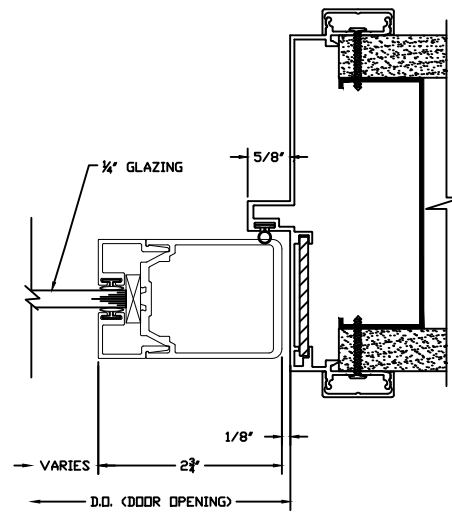
HINGE JAMB DETAIL 1/4" GLAZING



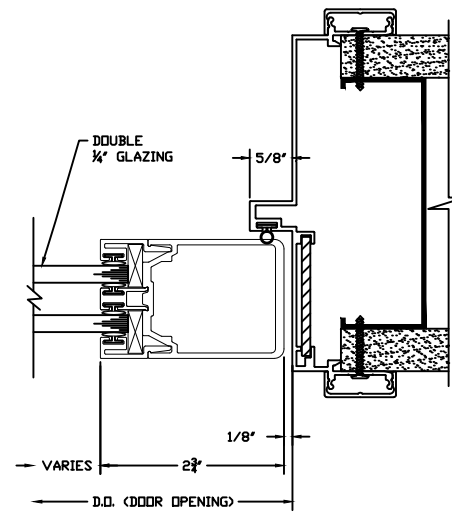
HINGE JAMB DETAIL DOUBLE 1/4" GLAZING



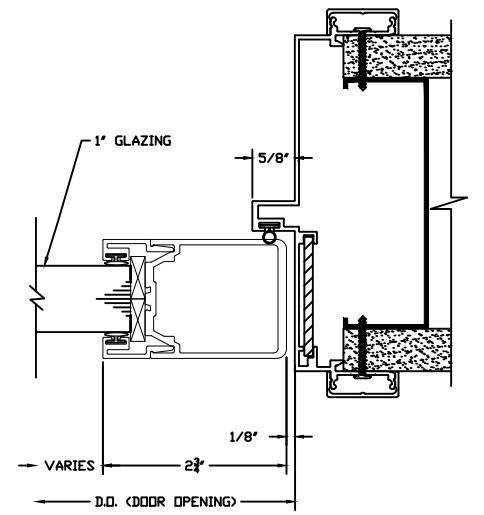
HINGE JAMB DETAIL 1" GLAZING



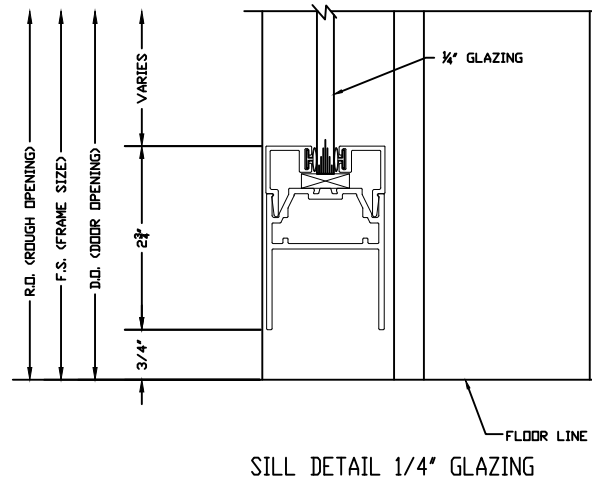
LOCK JAMB DETAIL 1/4" GLAZING



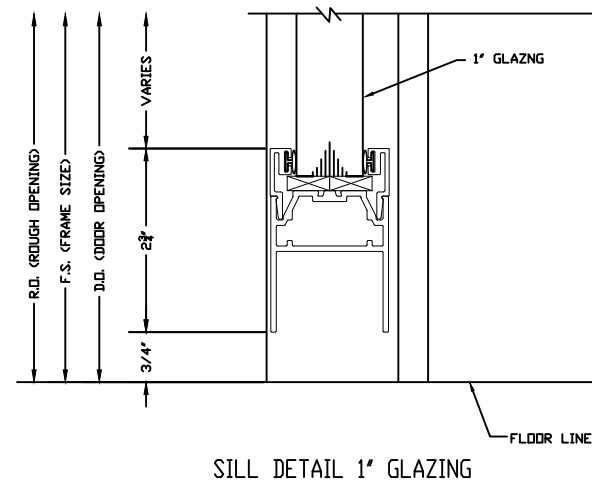
LOCK JAMB DETAIL DOUBLE 1/4" GLAZING



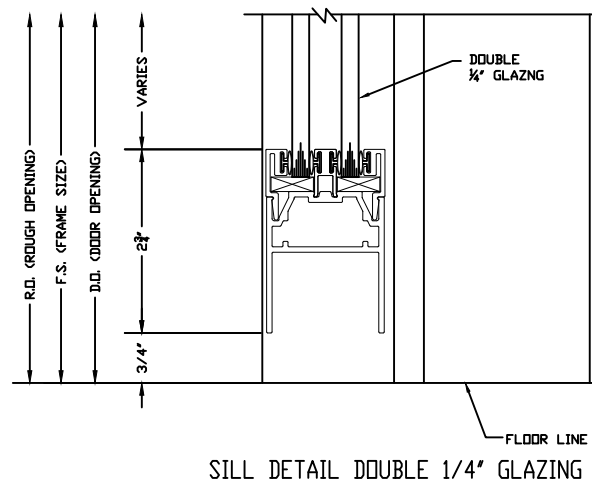
LOCK JAMB DETAIL 1" GLAZING



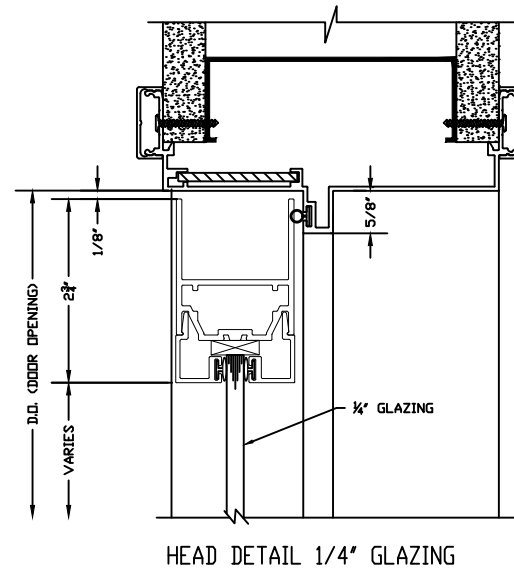
SILL DETAIL 1/4" GLAZING



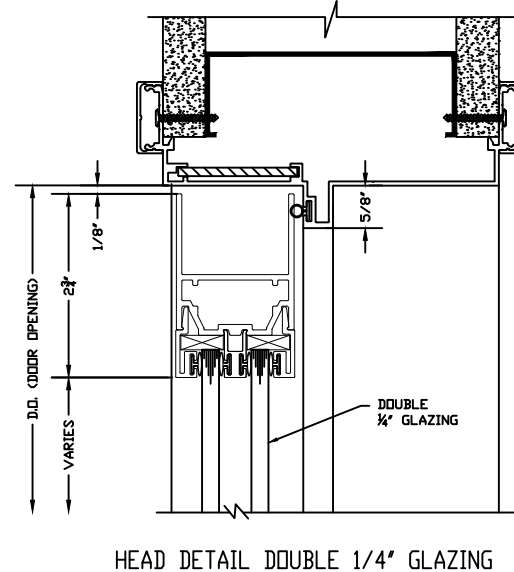
SILL DETAIL 1" GLAZING



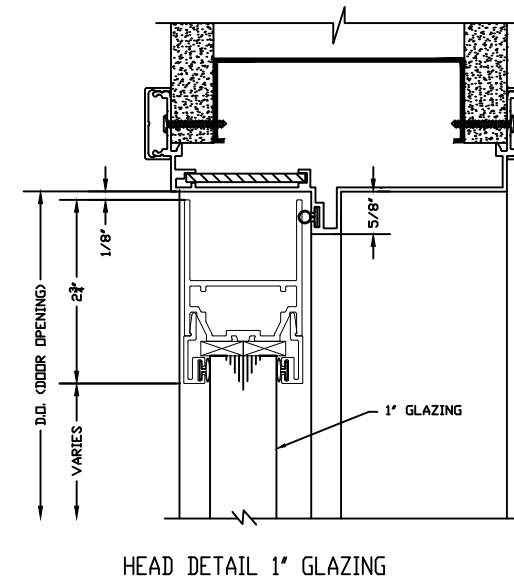
SILL DETAIL DOUBLE 1/4" GLAZING




HEAD DETAIL 1/4" GLAZING



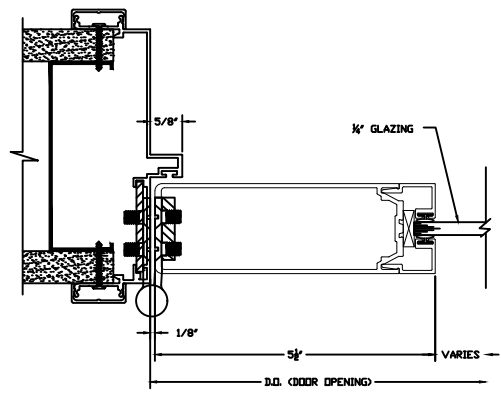
HEAD DETAIL DOUBLE 1/4" GLAZING



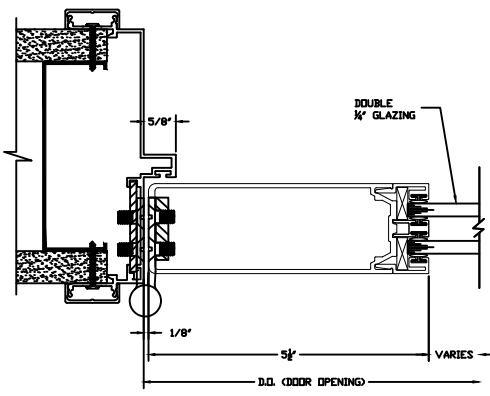
HEAD DETAIL 1" GLAZING

		<b>SPECIAL-LITE, INC.</b> 860 South Williams Street P.O. BOX 6 DECATUR, MI 48045 <a href="http://WWW.SPECIAL-LITE.COM">WWW.SPECIAL-LITE.COM</a>	
DRAWN BY: JMM REVISION:	SLI-12 NARROW STILE INTERIOR ALUMINUM FRAMED DOOR		
A 4/3/17 C B 7/12/17 D	DATE: 7/12/2017	SHEET NO. 1 OF 4	FILE: SLIDETAILS.dwg

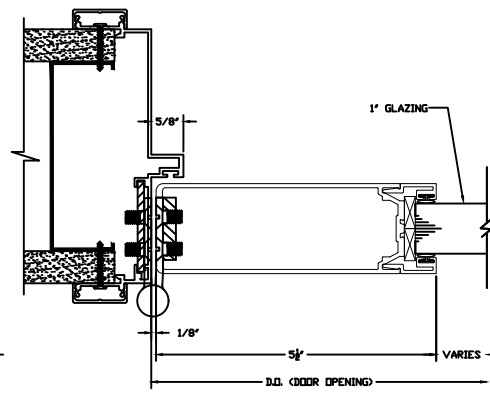




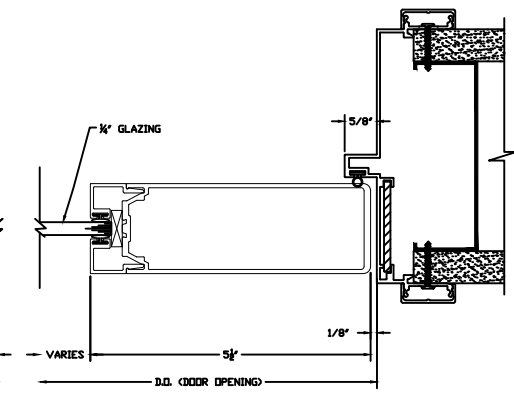
HINGE JAMB DETAIL 1/4" GLAZING



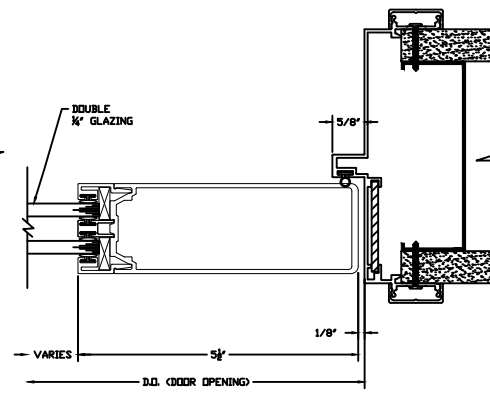
HINGE JAMB DETAIL DOUBLE 1/4" GLAZING



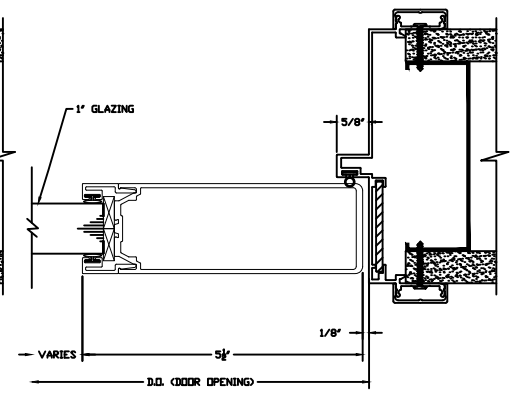
HINGE JAMB DETAIL 1" GLAZING



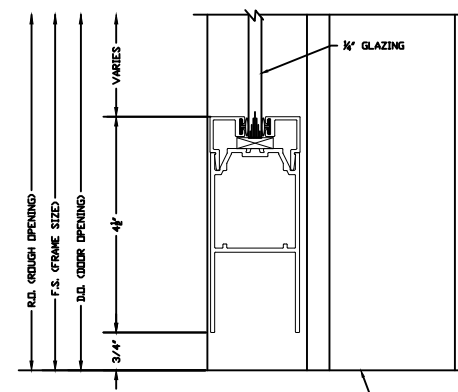
LOCK JAMB DETAIL 1/4" GLAZING



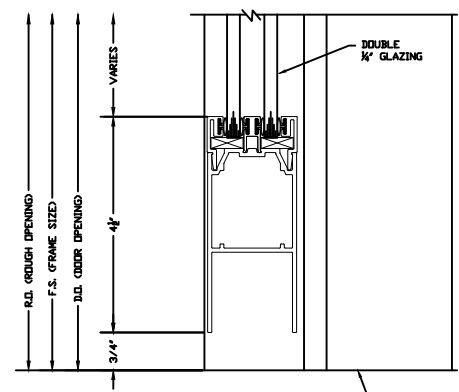
LOCK JAMB DETAIL DOUBLE 1/4" GLAZING



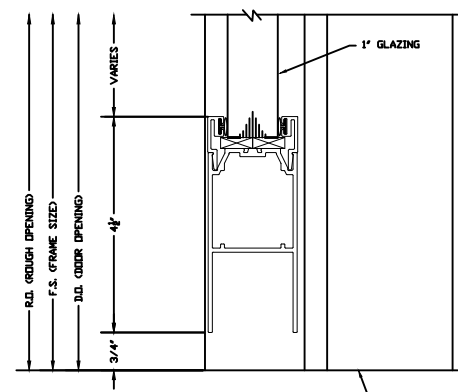
LOCK JAMB DETAIL 1" GLAZING



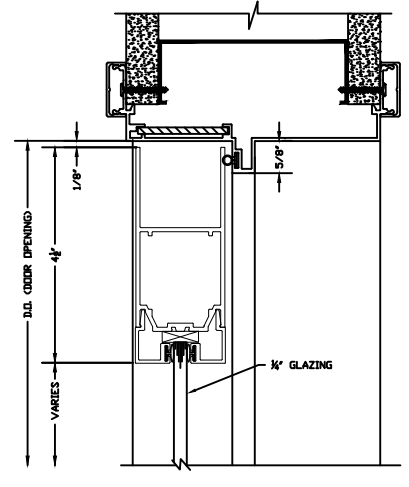
SILL DETAIL 1/4" GLAZING



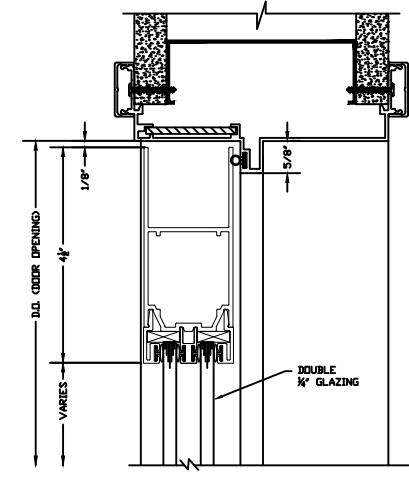
SILL DETAIL DOUBLE 1/4" GLAZING



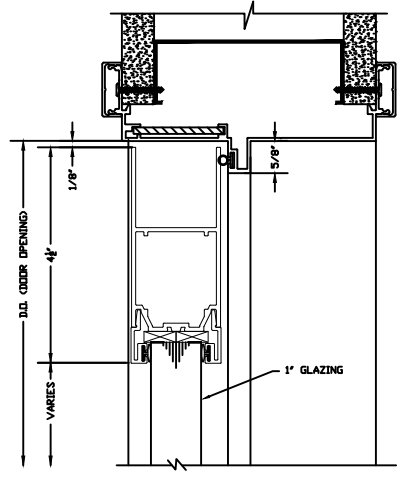
SILL DETAIL 1" GLAZING



HEAD DETAIL 1/4" GLAZING

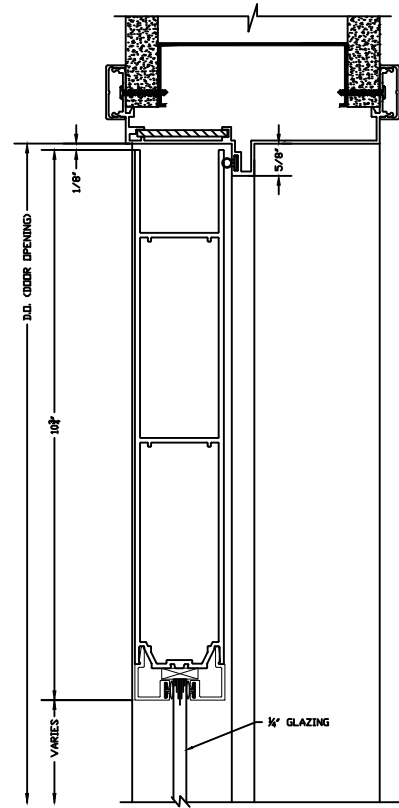


HEAD DETAIL DOUBLE 1/4" GLAZING

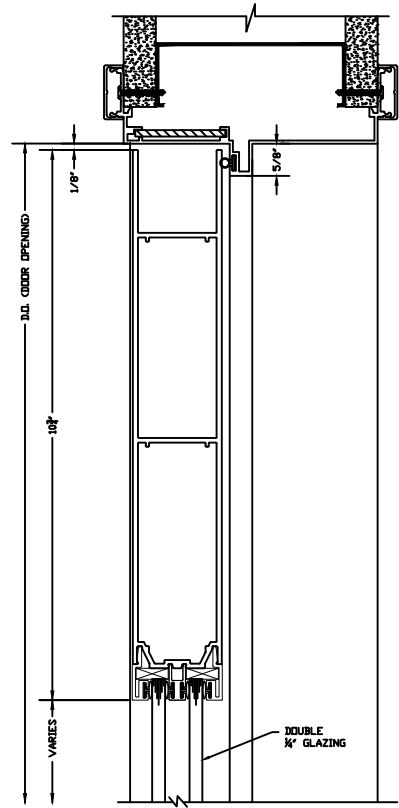


HEAD DETAIL 1" GLAZING

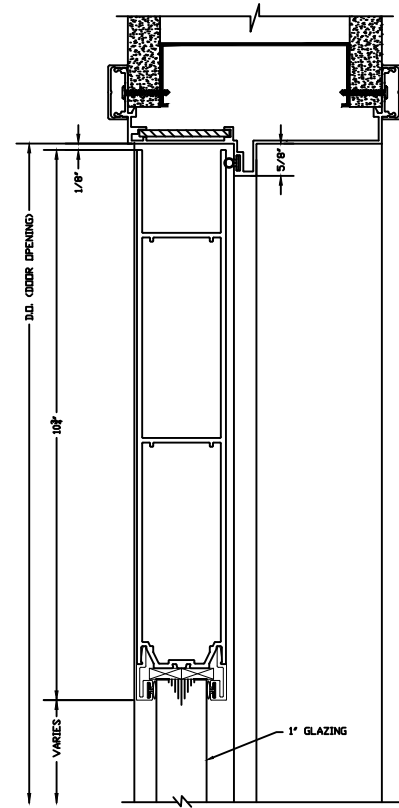
		<b>SPECIAL-LITE INC.</b> 880 South Williams Street P.O. BOX 6 DECATUR, MI 48045 <a href="http://WWW.SPECIAL-LITE.COM">WWW.SPECIAL-LITE.COM</a>	
		DRAWN BY: JAM REVISION:	SLI-15 WIDE STILE INTERIOR ALUMINUM FRAMED DOOR
A 4/3/17 C B 7/22/17 D	DATE: 7/12/2017	SHEET NO. 3 OF 4	FILE: SLIDETALS.dwg



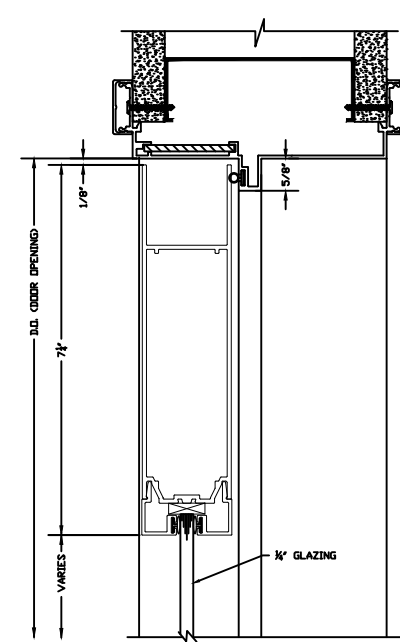
HEAD DETAIL 1/4" GLAZING (OPTIONAL 10 3/4" RAIL)



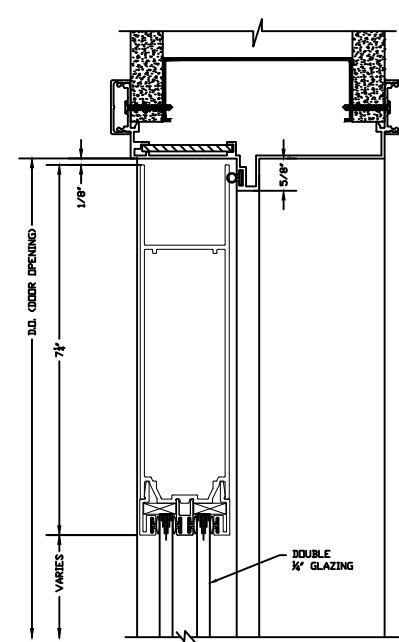
HEAD DETAIL DOUBLE 1/4" GLAZING (OPTIONAL 10 3/4" RAIL)



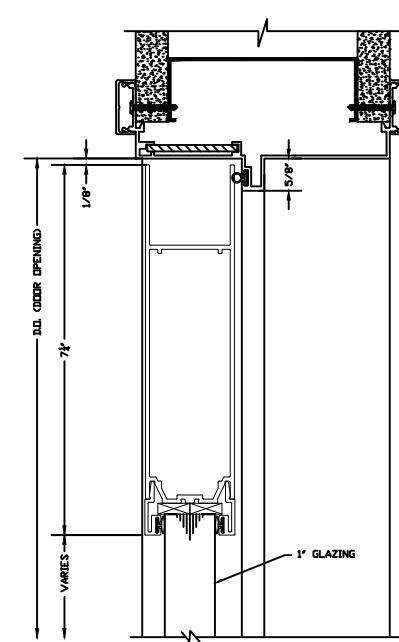
HEAD DETAIL 1" GLAZING (OPTIONAL 10 3/4" RAIL)



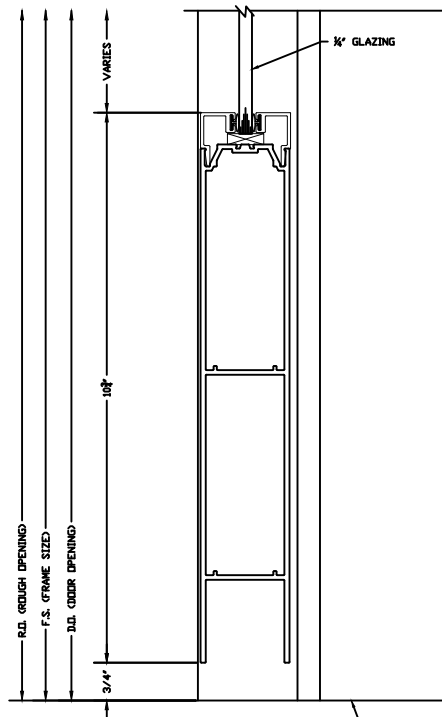
HEAD DETAIL 1/4" GLAZING (OPTIONAL 7 1/4" RAIL)



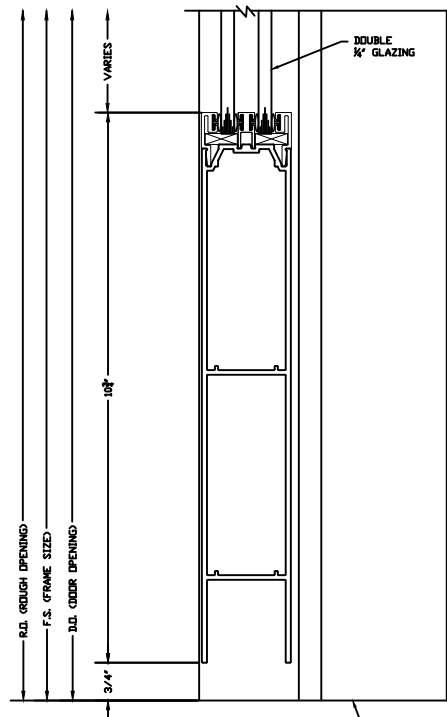
HEAD DETAIL DOUBLE 1/4" GLAZING (OPTIONAL 7 1/4" RAIL)



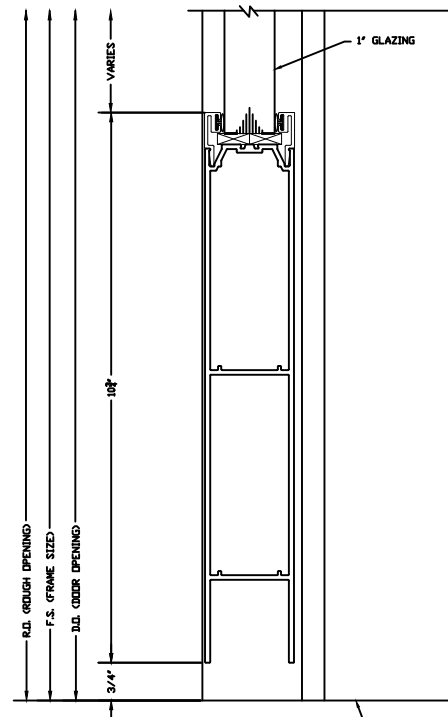
HEAD DETAIL 1" GLAZING (OPTIONAL 7 1/4" RAIL)



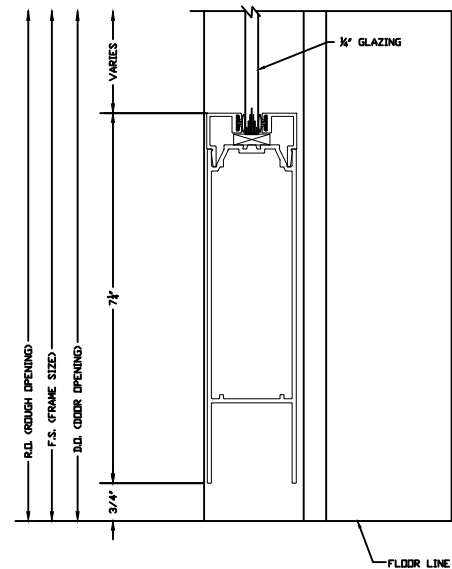
SILL DETAIL 1/4" GLAZING (OPTIONAL 10 3/4" RAIL)



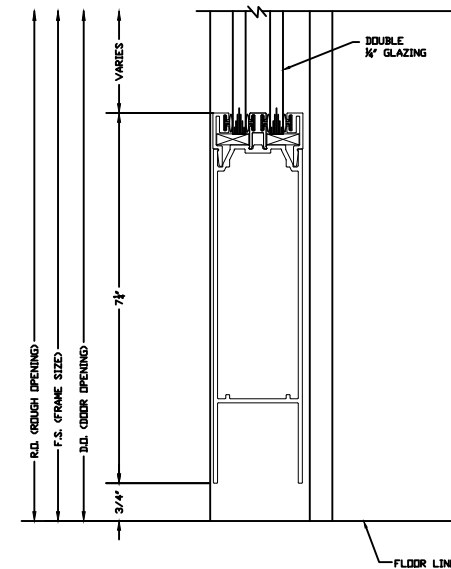
SILL DETAIL DOUBLE 1/4" GLAZING (OPTIONAL 10 3/4" RAIL)



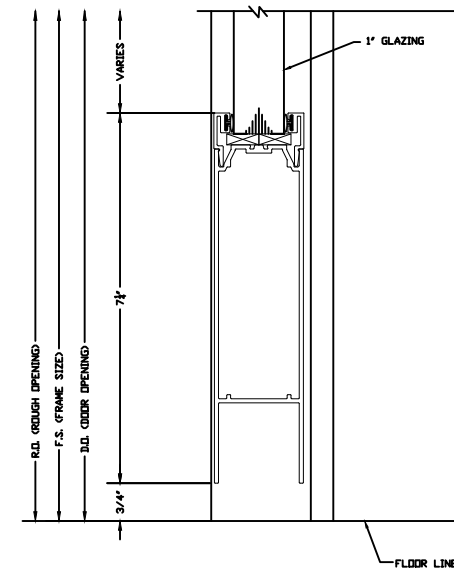
SILL DETAIL 1" GLAZING (OPTIONAL 10 3/4" RAIL)



SILL DETAIL 1/4" GLAZING (OPTIONAL 7 1/4" RAIL)



SILL DETAIL DOUBLE 1/4" GLAZING (OPTIONAL 7 1/4" RAIL)



SILL DETAIL 1" GLAZING (OPTIONAL 7 1/4" RAIL)



SPECIAL-LITE, INC.  
860 South Williams Street  
P.O. BOX 6  
DECATUR, MI 48045  
WWW.SPECIAL-LITE.COM

DRAWN BY: JMM	SLI DOOR OPTIONAL RAILS		
REVISION	DATE: 7/12/2017	SHEET NO. 4 OF 4	FILE: SLIDETAILS.dwg
A 4/3/17 C			
B 7/12/17 D			