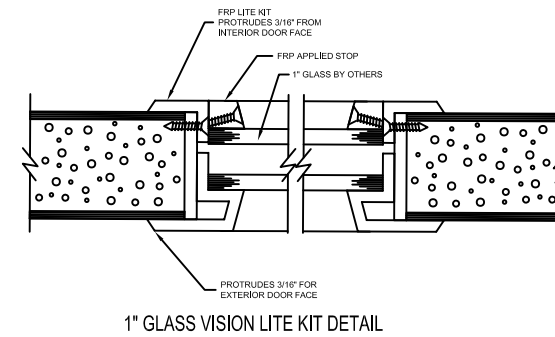
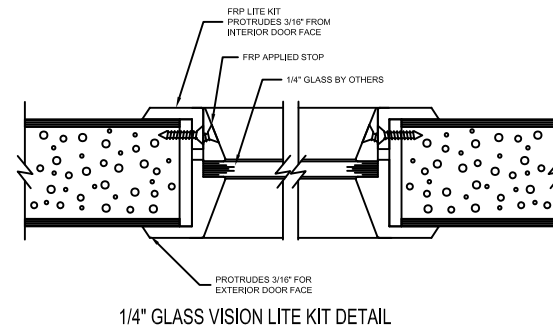
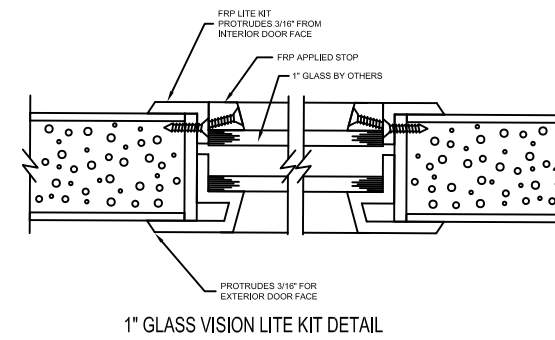
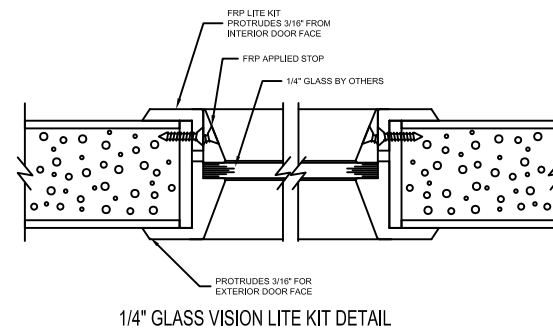



AF VISION LITES

AF COMPOSITE CONSTRUCTION



AF 100 CONSTRUCTION



		SPECIAL-LITE, INC. 860 South Williams Street P.O. BOX 6 DECATUR, MI 48045 WWW.SPECIAL-LITE.COM		
		DRAWN BY: JMM REVISION A 5/7/20 C 11/2/21 B 2/17/21 D 5/17/22		
AF VISION LITES		DATE: 5/17/2022	SHEET NO. 1 OF 1	FILE: AFVISIONLITE