

## INSTALLATION INSTRUCTIONS

# All-Fiberglass Doors & Frames

**IMPORTANT:** Read all instructions before beginning installation.

These instructions are provided to help prevent installation problems caused by most common errors. They are strictly recommendations and are not intended to be a step-by-step, foolproof installation checklist suitable for every situation. There are many variations of installations not covered in these instructions that Special-Lite assumes are general construction knowledge to an experienced installer.

Selection of an experienced installer is the sole responsibility of the project owner or responsible party.

**Failure to follow good practice in installation will void the warranty on Special-Lite products.**

If you have any questions about installation techniques for your particular project, please call 1-800-821-6531 and ask for a Special-Lite Customer Service Representative or Training Manager.

This and other Installation Instructions can be found on Special-Lite's web site at [special-lite.com](http://special-lite.com).



# ALL-FIBERGLASS SERIES DOORS & FRAMES

## CHECK NEW FRAME & DOOR COMPONENTS

1. It is important to field inspect all cartons and crates for damage as well as contents of package for damages.
2. If frame is factory welded or assembled do not remove any banding tape prior to removing from box.
3. Check work orders or a print to ensure proper material has been shipped before starting job.
4. Measure the new framing and door(s) to make sure everything is sized and located correctly. This is especially important in retrofit situations before demolition of an existing opening is commenced.

## ROUGH OPENING AND EXISTING CONSTRUCTED WALL INSPECTION

5. Review existing wall construction to determine type of construction
  - Masonry
  - Stud and drywall
  - CMU
6. Check plans for swing and location of jambs in structure.
7. Measure all framing.
8. Measure the opening to verify it is  $\frac{1}{2}$ " larger in width and  $\frac{1}{4}$ " taller in height.
9. Check all existing constructed walls and headers for plumb and level.
10. Check the top of the opening and floor to make sure they are level.
11. Determine high side of floor.

### NOTE:

Use a level and straight edge to determine the high side of the floor.

## ASSEMBLE THE FRAME (skip step if pre-assembled)

12. Slide head onto jamb legs. Install the provided #12 x  $\frac{3}{4}$ " stainless steel sheet metal screws in the rabbets at the top of the frame legs (4 places)

### NOTE:

If pre-assembled remove shipping spreader bars.

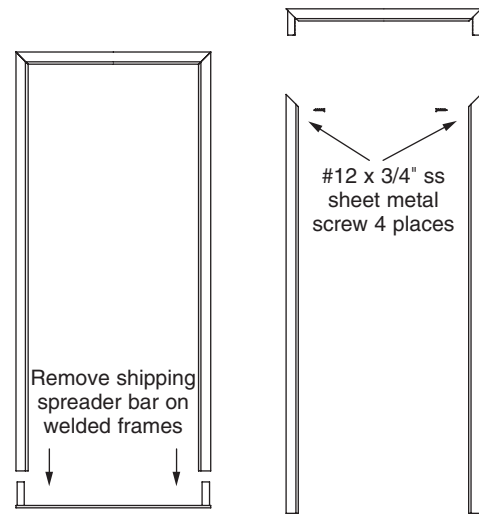


FIGURE A

### NOTE:

If installing new frame into a new masonry wall skip to step #17."

## SET FRAME IN OPENING

### NOTE:

The door frame may be set flush with one side of the wall, recessed, or centered.

13. Upon determination of frame location, set frame into position.

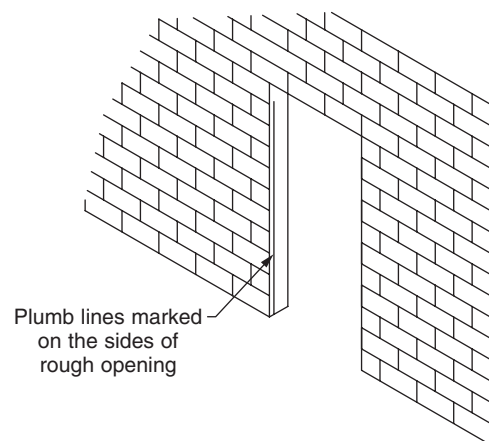


FIGURE B

# ALL-FIBERGLASS SERIES DOORS & FRAMES

## ANCHORING FRAME INTO ROUGH OPENING (existing masonry construction)

### NOTE:

An Installation Kit (optional) can be ordered which consists of

- 16 – EZ-Shims
- 8 – 4" EMF810 tap-con (Crete Flex) #3 Phillips Head S.S. anchors.

- When frame is in place, place the threshold or a spreader bar the same length as the door opening to keep the strike and hinge jamb parallel.
- Use tapered shims while centering the frame in the opening making sure the door jambs are plumb and level, and shim under the jamb if necessary to level the head.
- Drill the mounting holes with a  $7/32"$  x  $5-1/2"$  masonry bit in the rough opening through the dimples on the hinge jamb. As the fasteners (Tap Con #14 Phillips Flat Head) are installed in the hinge jamb with a #3 Phillips bit, the jamb may move out of plumb or square. Shims can be added, removed, or adjusted as needed to keep the jamb in position.

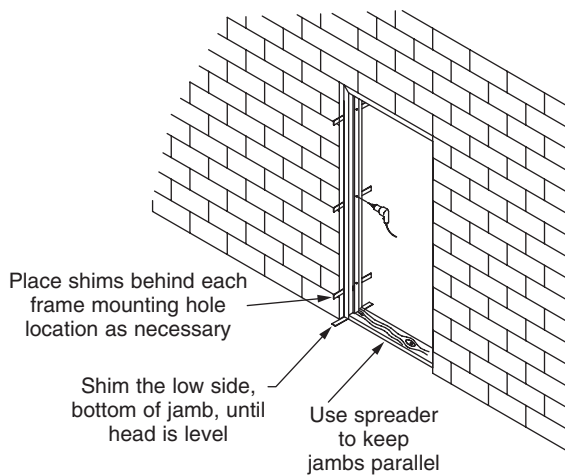


FIGURE C

### NOTE:

If the door is on site then the installer might find it easier to hang the door after the hinge jamb is fastened to the wall. Then close the door into the opening and adjust the frame as needed to maintain an even margin ( $1/8"$ ) across the top of the door by placing shims at the bottom of the strike jamb to hold it in place. The strike jamb is installed in the same manner as the hinge jamb by using shims to maintain a  $1/8"$  latch jamb clearance.... Make sure that the head is still level and then the strike jamb is installed in the same manner as the hinge jamb.

## INSTALLING FRP DOOR FRAMES IN NEW MASONRY CONSTRUCTION

### "T" Anchor for Grouted Frames

- Assemble frame as described in step 12 (figure A) and set in required location. Level the head shimming under the jamb if necessary and square jambs to head. Set spreader/threshold and fasten to floor through base anchors provided. Temporary bracing might be required to hold the frame in place. Brace head to floor or to a structure above.

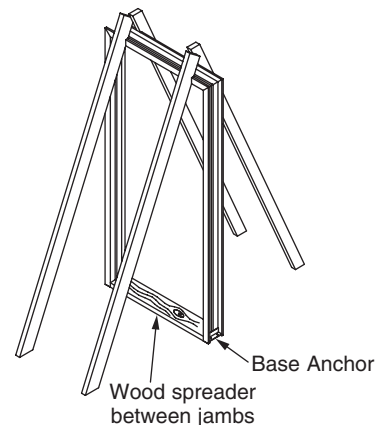


FIGURE D

- Use second spreader at midpoint of the frame to maintain door opening dimension.

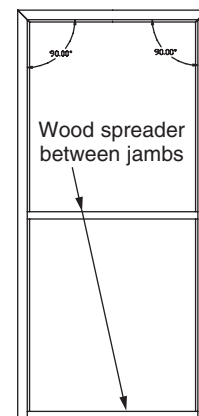


FIGURE E

- While block courses are laid up, install anchors and add grout while continually checking plumb and square.

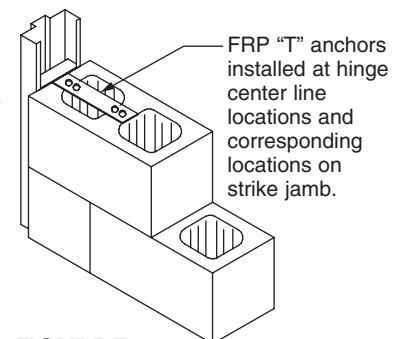


FIGURE F

# ALL-FIBERGLASS SERIES DOORS & FRAMES

## HANG THE DOOR(S)

### Installation of doors with butt hinges

#### NOTE:

The stile edge of the doors and rabbet of the frames are provided prepped for butt hinges. Use only the stainless steel sheet metal screws provided. **Do not use machine screws, self drilling, and self tapping or combination screws!** Hinge screws are best installed with a drill or screw gun that has an adjustable clutch set at the lowest setting to seat the screw.

20. Install the hinges to the door using the stainless steel sheet metal screws provided.
21. Hang door(s) in frame with 3 screws in hinge jamb—one at top, middle and bottom.
22. Close door and check for Special-Lite recommended clearances:
  - 1/8" at strike jamb on single doors
  - 1/4" at meeting stiles
  - 1/8" at head. Adjust as needed.

#### NOTE:

Shimming behind hinges and adjusting the frame may be required to maintain the recommended clearances.

23. Install remaining hinge screws in frame.

### Installation of doors with continuous hinge

#### NOTE:

If the stile edge of the door and rabbet of the frame have been sized for a continuous hinge, use only stainless steel sheet metal screws provided. **Do not use machine screws, self drilling and self tapping or combination screws!** Hinge screws are best installed with a drill or screw gun that has an adjustable clutch set at the lowest setting to seat the screw.

24. If the hinge needs to be prepped in the field, use the hinge manufacture's recommendations and pre-drill the screw holes with a 5/32" drill bit.
25. Using a # 3 Phillips power bit drive the screw in part way, reverse all the way out and repeat until screw is seated all the way. This may take 2-3 cycles. Remember you are creating a threaded hole in the fiberglass reinforcement.

26. Hang door(s) in frame with 3 screws in hinge jamb—one at top, middle and bottom.
27. Close door and check for Special-Lite recommended clearances:
  - 1/8" at strike jamb on single doors
  - 1/4" at meeting stiles
  - 1/8" at head. Adjust as needed.

#### NOTE:

Shimming behind hinges and adjusting the frame may be required to maintain the recommended clearances.

28. Install remaining hinge screws in frame.

## SEAL FRAME PERIMETERS

29. Apply caulk along the interior and exterior frame return edges.
30. If a threshold is required, place in position and check for proper door clearance. Be sure to set threshold in caulk to prevent threshold from leaking. Secure threshold with proper fasteners.

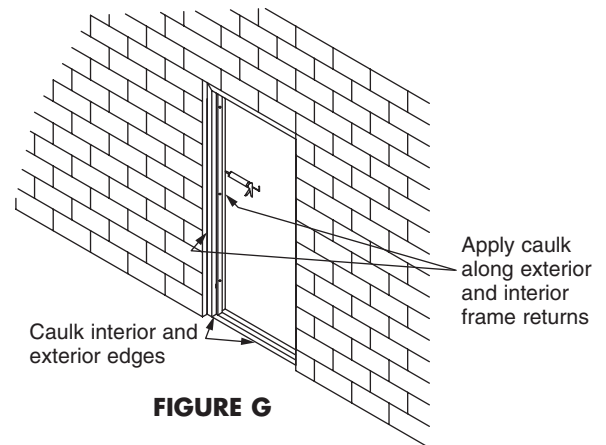


FIGURE G

# ALL-FIBERGLASS SERIES DOORS & FRAMES

## HARDWARE INSTALLATION

- 31.** Consult manufacturer for proper and or appropriate use and installation.
- 32.**
- AF Pultruded Door (AF-100)**  
Butt and continuous hinges to be mounted using stainless steel sheet metal screws (provided).  
Mount surface hardware using stainless steel sheet metal screws, wood screws or thru-bolts.

### NOTE:

*Do not use machine screws, self drilling or self tapping combination screws!*

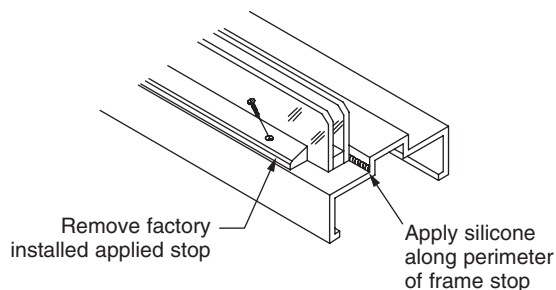
- AF Composite Door (AF-200, AF-217, AF-220)**  
Butt and continuous hinges to be mounted using stainless steel sheet metal screws (provided).  
Surface hardware to be thru-bolted.

### NOTE:

*Do not use machine screws, self drilling or self tapping combination screws!*

## FRAME GLAZING PROCEDURE (transoms, side-lites, borrowed lites)

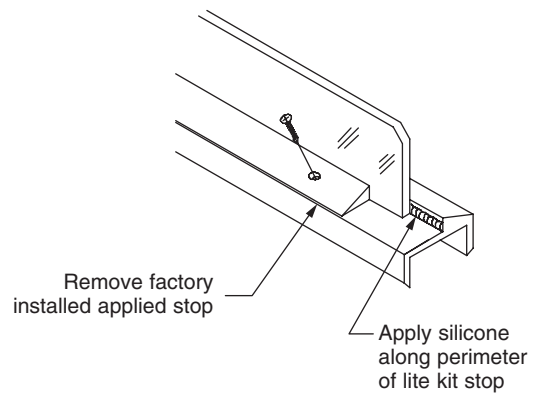
- 33.** Remove glazing applied stop from frame opening. Along the perimeter of the frame stop apply a bead of clear silicone.
- 34.** Install glass and secure in place with applied stop and stainless steel sheet metal screws provided.



**FIGURE H**

## DOOR GLAZING PROCEDURE

- 35.** Remove glazing applied stop from lite kit opening. Along the perimeter of the glazing stop apply a bead of clear silicone.
- 36.** Install glass and secure in place with applied stop and stainless steel sheet metal screws provided.



**FIGURE I**

## CLEAN AND INSPECT DOOR & FRAMES

- 37.** Wipe down surface with mild soap and water.
- 38.** Check door for nicks and scratches.
- 39.** Touch up kit for painted products provided for minor imperfections.

**Special-Lite, Inc.**

P.O. Box 6 • Decatur, MI 49045

[special-lite.com](http://special-lite.com)

800.821.6531

Item 7313-R1

2M 02/17 PC



**Special-Lite®**

ENGINEERED ARCHITECTURAL SOLUTIONS