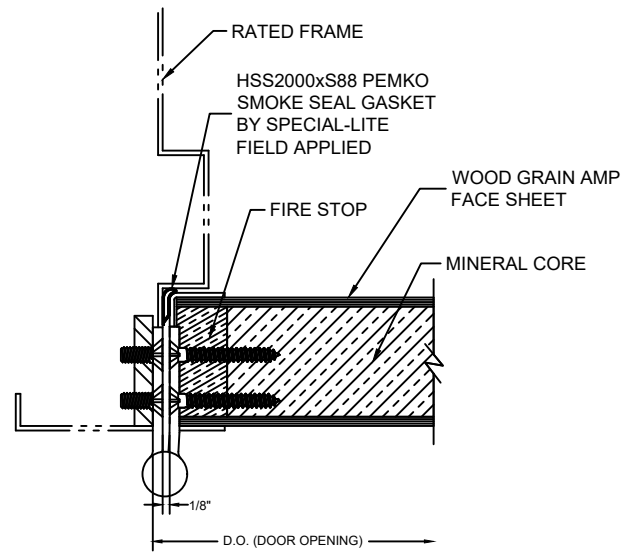
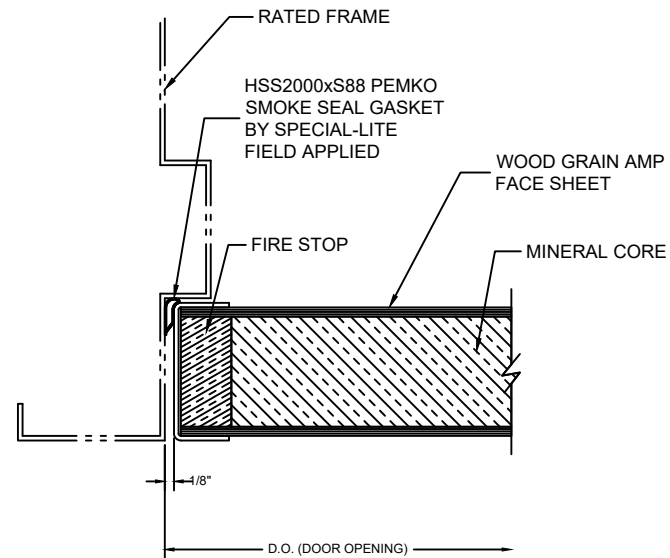


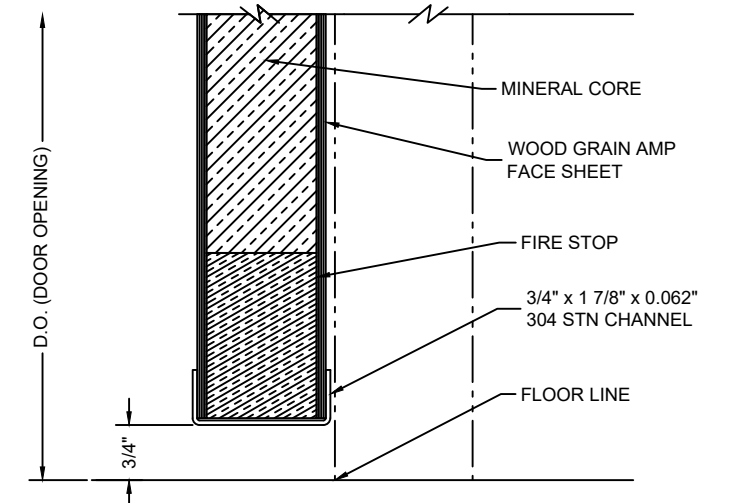
CONTINUOUS HINGE JAMB DETAIL



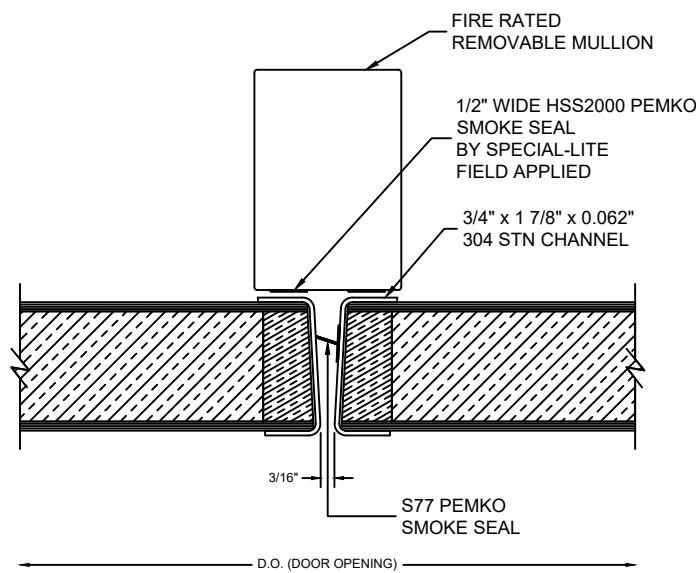
BUTT HINGE JAMB DETAIL



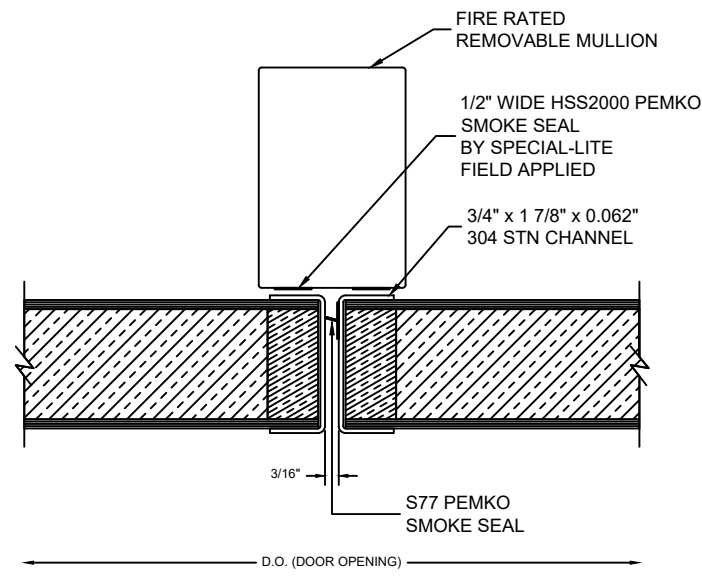
LOCK JAMB DETAIL



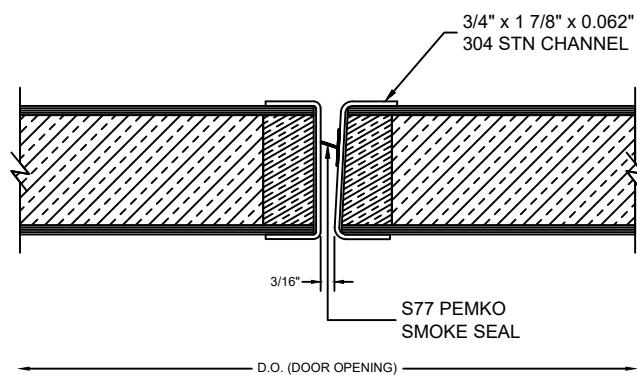
SILL DETAIL



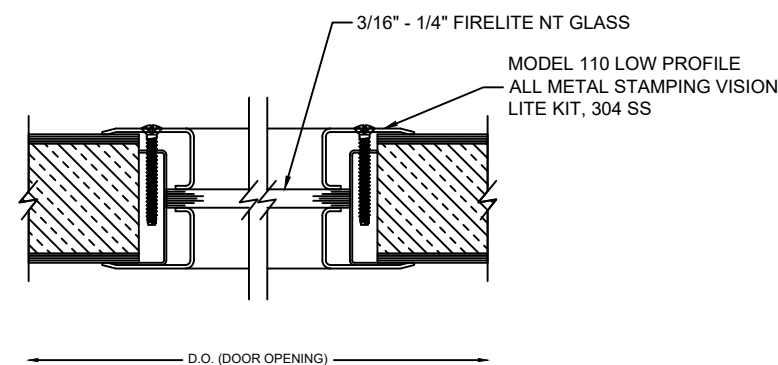
STANDARD MEETING DETAIL



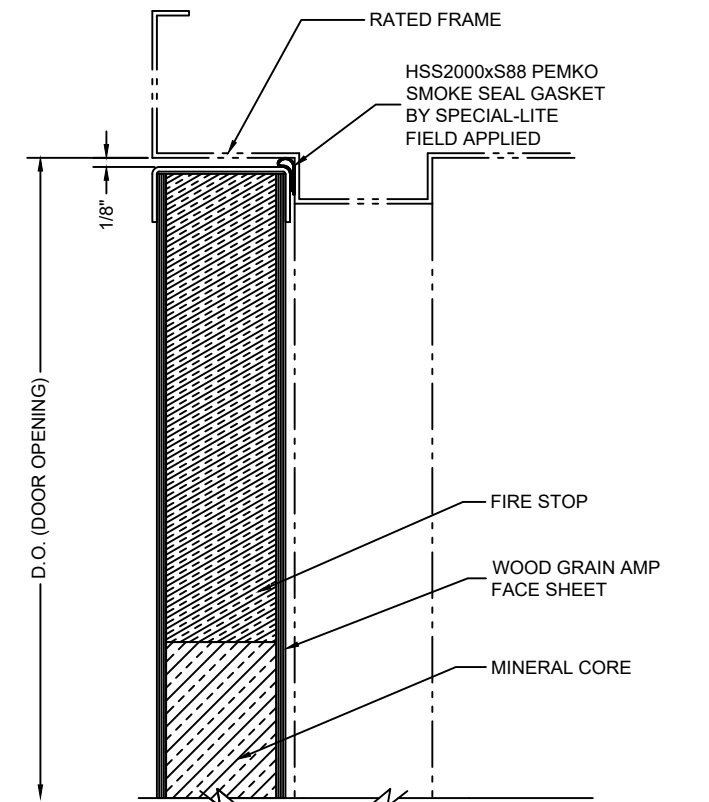
OPTIONAL MEETING DETAIL




LOCKSET MEETING DETAIL



VISION-LITE KIT DETAIL



DOOR HEAD DETAIL

		SPECIAL-LITE, INC. 860 South Williams Street P.O. BOX 6 DECATUR, MI 48045 WWW.SPECIAL-LITE.COM	
		DRAWN BY: JMM REVISION:	SL-22 FIRE RATED AMP – WOOD GRAIN DOOR
A 4/3/17 C	DATE: 4/3/2017	SHEET NO. 1 OF 1	FILE: SL22DETAILS.dwg