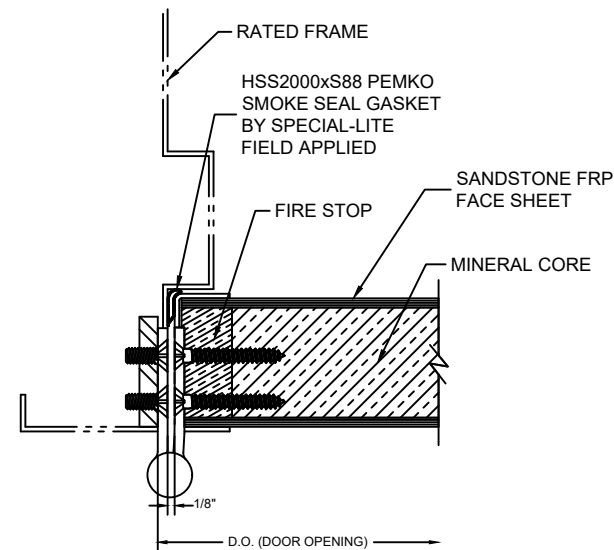
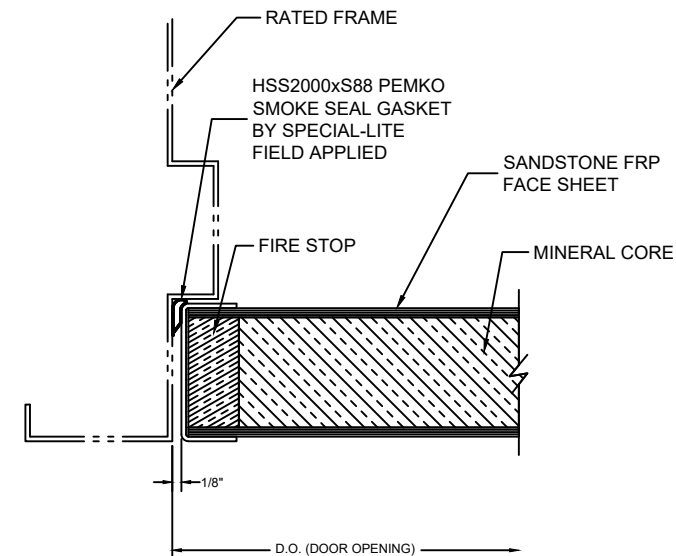


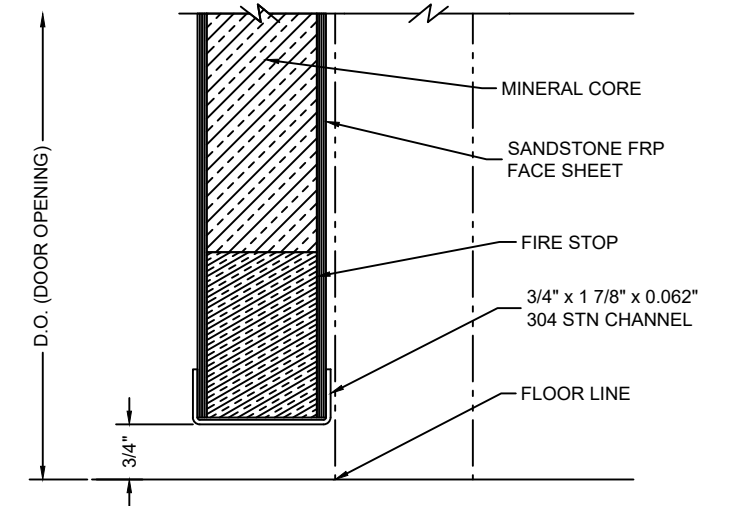
CONTINUOUS HINGE JAMB DETAIL



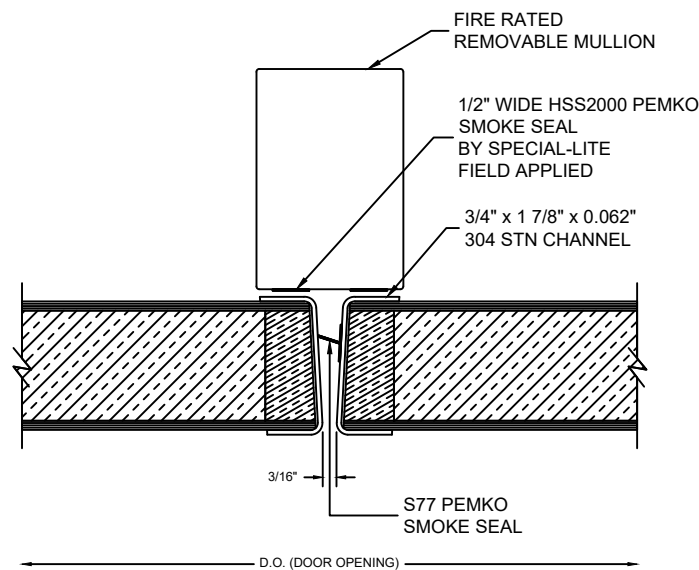
BUTT HINGE JAMB DETAIL



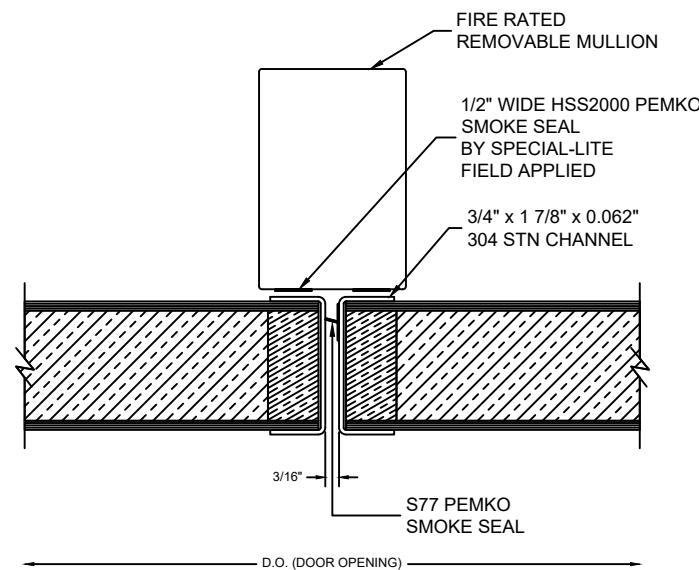
LOCK JAMB DETAIL



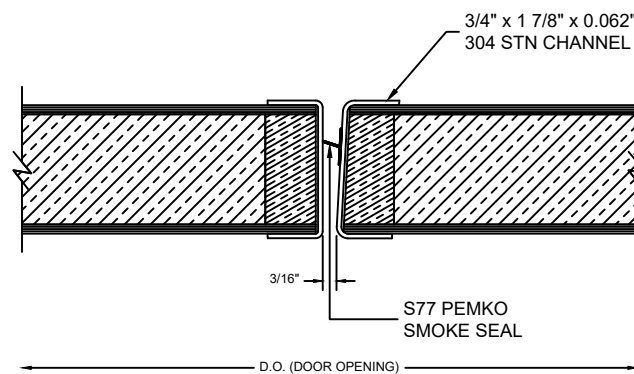
SILL DETAIL



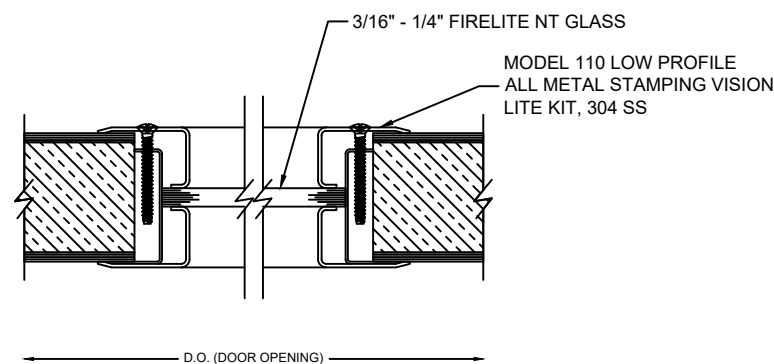
STANDARD MEETING DETAIL



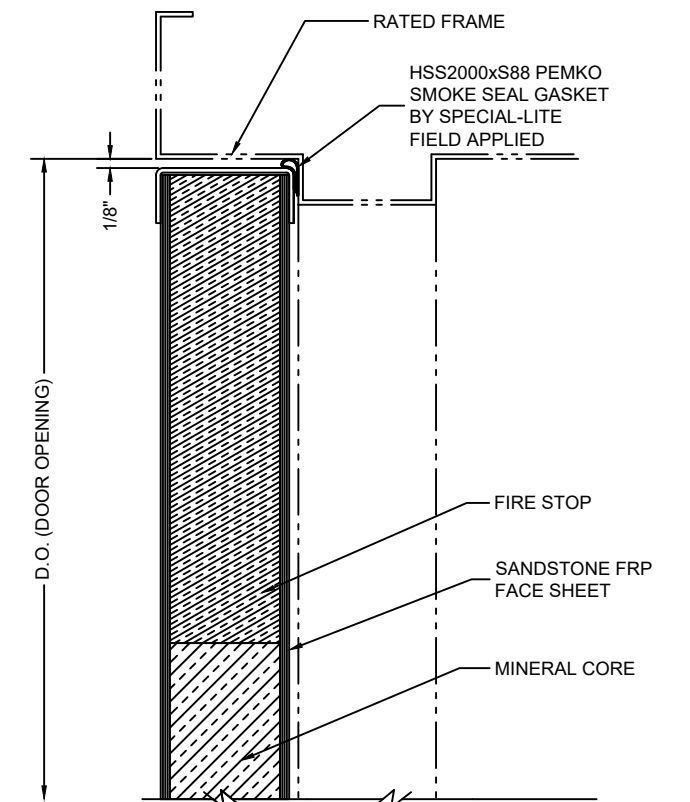
OPTIONAL MEETING DETAIL



LOCKSET MEETING DETAIL



VISION-LITE KIT DETAIL



DOOR HEAD DETAIL

		<b>SPECIAL-LITE, INC.</b> 860 South Williams Street P.O. BOX 6 DECATUR, MI 48045 <a href="http://WWW.SPECIAL-LITE.COM">WWW.SPECIAL-LITE.COM</a>	
		DRAWN BY: JMM REVISION:	SL-23 FIRE RATED FRP - SANDSTONE-TEXTURE DOOR
A 4/3/17 C B D	FILE: SL23DETAILS.dwg		