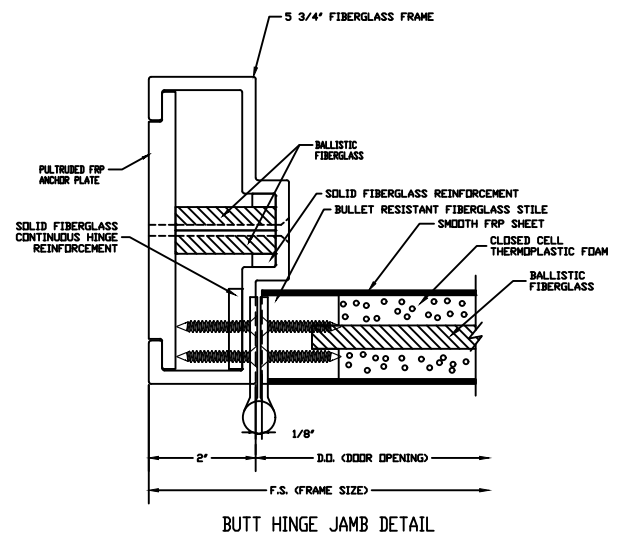
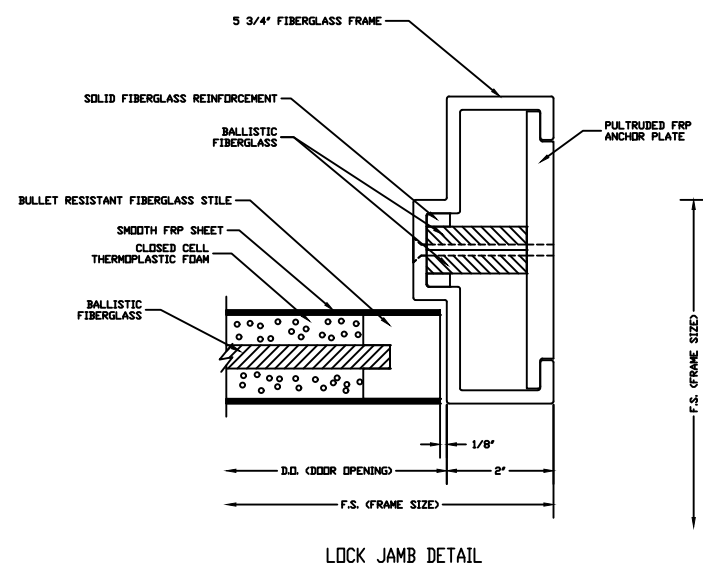


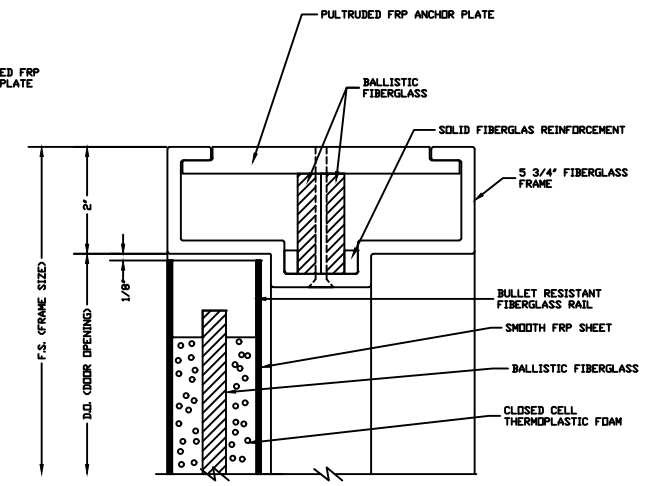
CONTINUOUS HINGE JAMB DETAIL



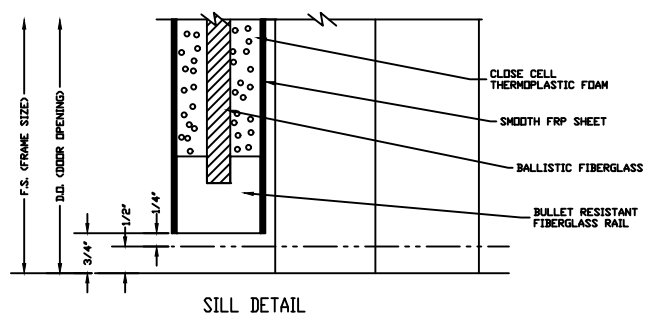
BUTT HINGE JAMB DETAIL



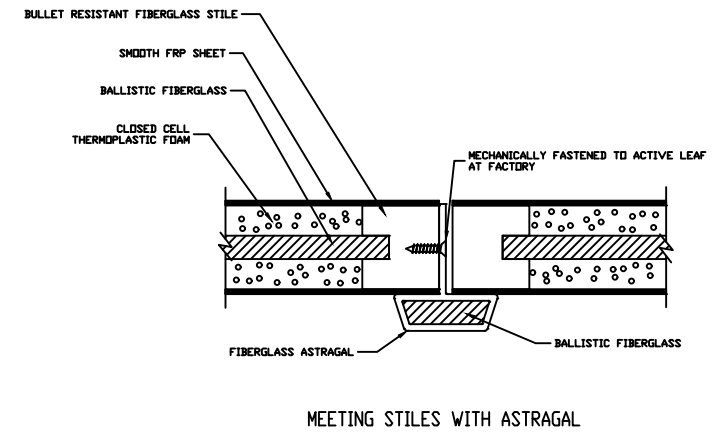
LOCK JAMB DETAIL



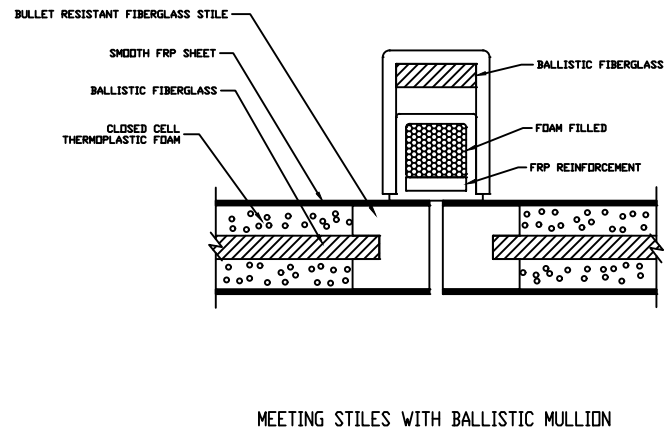
HEAD DETAIL



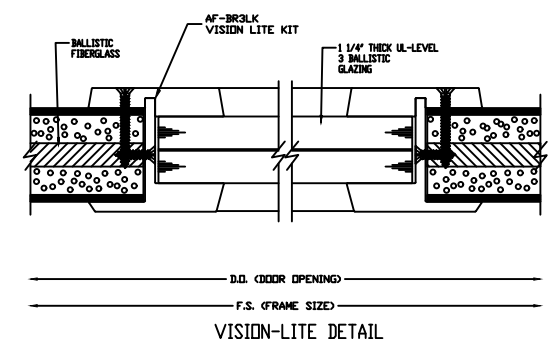
SILL DETAIL



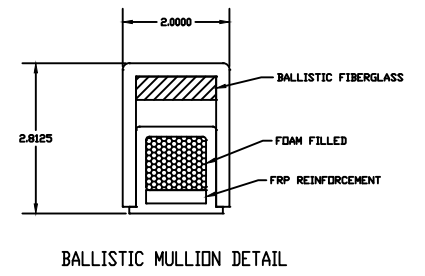
MEETING STILES WITH ASTRAGAL



MEETING STILES WITH BALLISTIC MULLION



VISION-LITE DETAIL



BALLISTIC MULLION DETAIL

		SPECIAL-LITE, INC. 860 South Williams Street P.O. BOX 6 DECATUR, MI 49045 WWW.SPECIAL-LITE.COM	
DRAWN BY: JMM REVISION A 5/4/17 C B 5/30/17 D	AF-200 BR3 FLUSH DOOR DETAILS		DATE: 5/30/2017 SHEET NO. 1 OF 1 FILE: AF200BR3.dwg