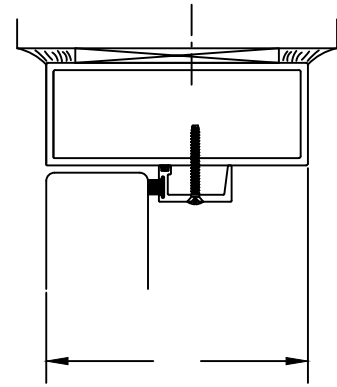
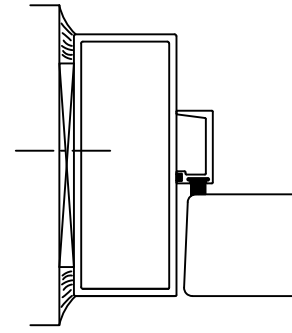
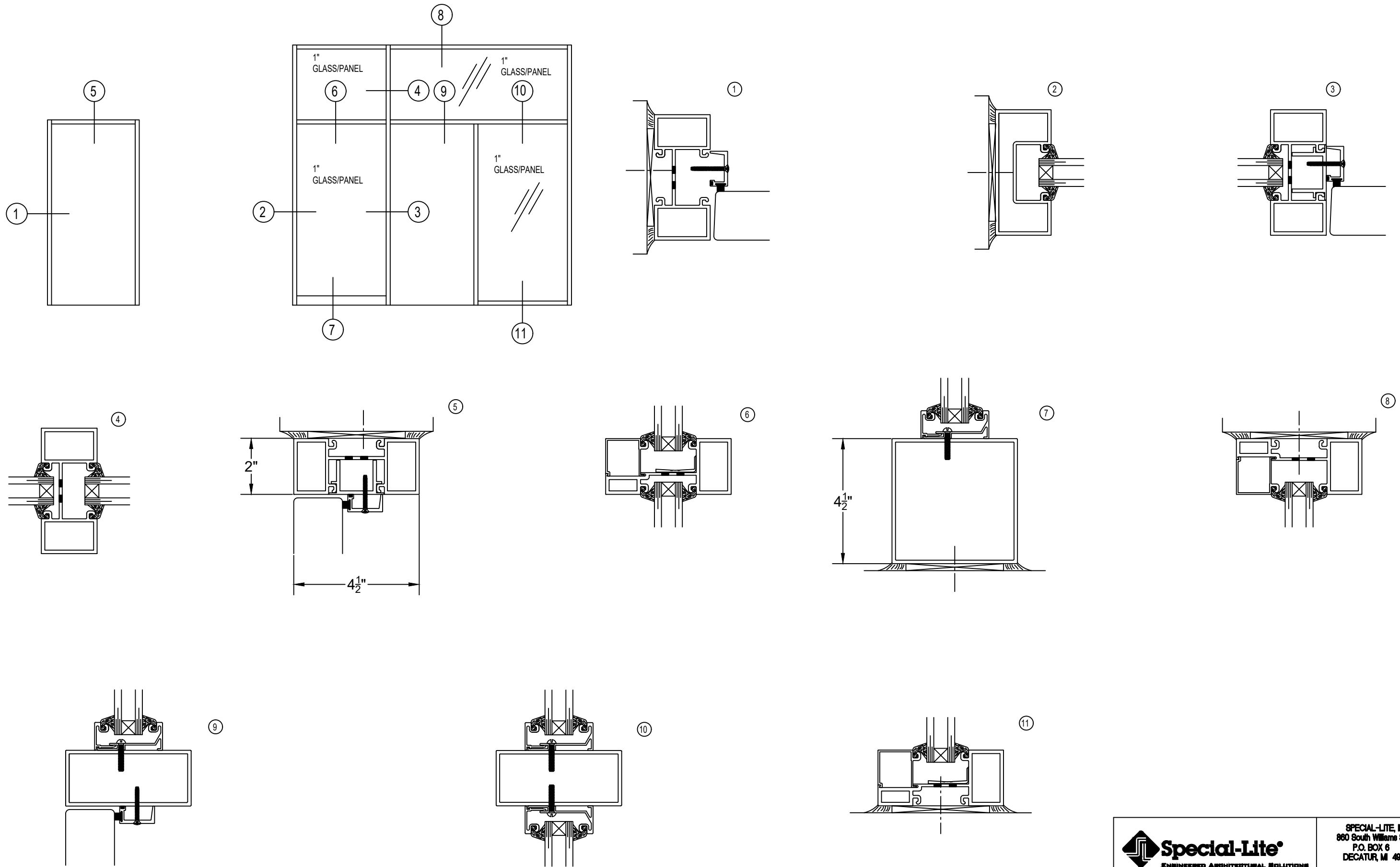

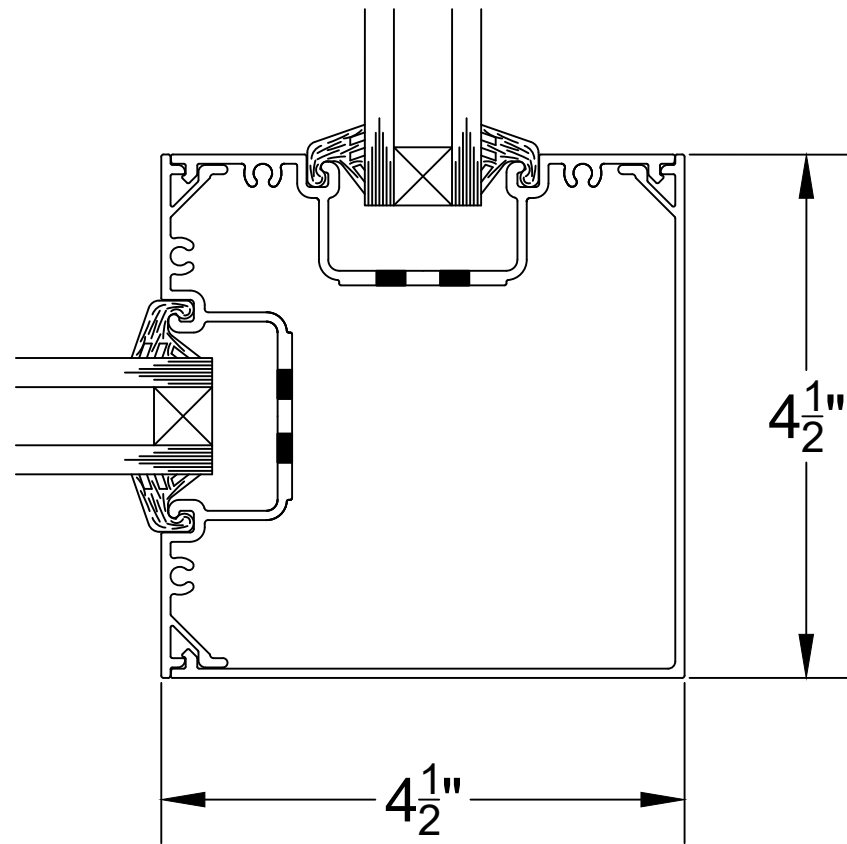


| | | | |
|---|--------|--|--|
| Special-Lite ENGINEERED ARCHITECTURAL SOLUTIONS | | SPECIAL-LITE, INC. 860 South Williams Street P.O. BOX 6 DECATUR, MI 48045 WWW.SPECIAL-LITE.COM | |
| | | DRAWN BY: JMM REVISION: | 2" X 6" FRAMING SYSTEM 1" FLUSH GLAZED |
| A 3/28/17 B | C D | FILE: FLUSHGLAZEDFRAMING.dwg | |

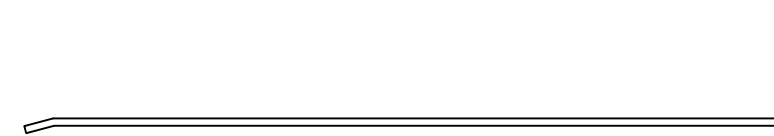




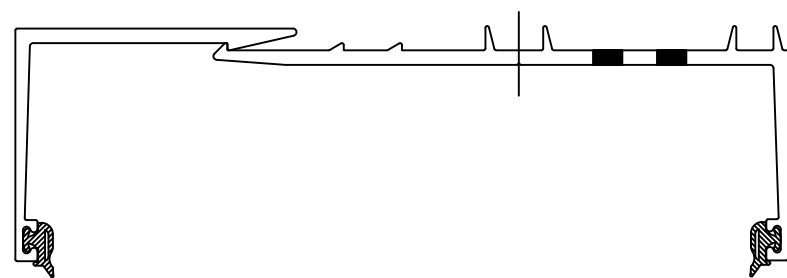
| | | | | |
|---|--------|--|--|--|
|  Special-Lite ENGINEERED ARCHITECTURAL SOLUTIONS | | SPECIAL-LITE, INC. 860 South Williams Street P.O. BOX 6 DECATUR, MI 48045 WWW.SPECIAL-LITE.COM | | |
| | | DRAWN BY: JMM REVISION: | 2" X 4 1/2" FRAMING SYSTEM 1" FLUSH GLAZED | |
| A 3/28/17 B | C D | DATE: 3/28/2017 | SHEET NO. 3 OF 4 | |



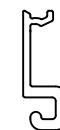
4 1/2" SILL FLASHING




6" SILL FLASHING



HEAD RECEPTOR



FG-19 ADAPTOR FOR
CONVERTING 1" FLUSH
GLAZE TO 1/4" FLUSH GLAZE

| | | | |
|--|--------|---|--|
|  Special-Lite <small>ENGINEERED ARCHITECTURAL SOLUTIONS</small> | | SPECIAL-LITE, INC. 860 South Williams Street P.O. BOX 6 DECATUR, MI 48045 WWW.SPECIAL-LITE.COM | |
| | | DRAWN BY: JMM REVISION: | FLUSHED GLAZED MISCELLANEOUS RELATED ITEMS |
| A 4/3/17 B | C D | DATE: 4/3/2017 | SHEET NO. 4 OF 4 |
| | | FILE: FLUSHGLAZEDFRAMING.dwg | |