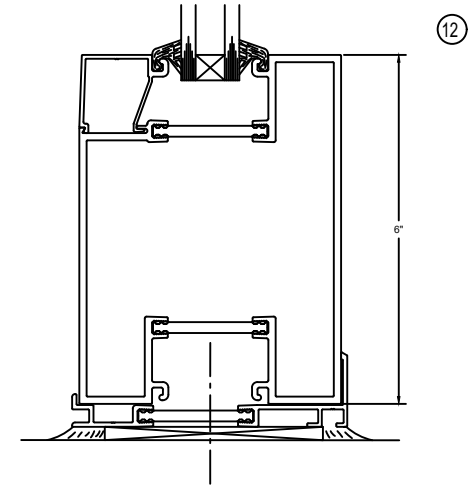
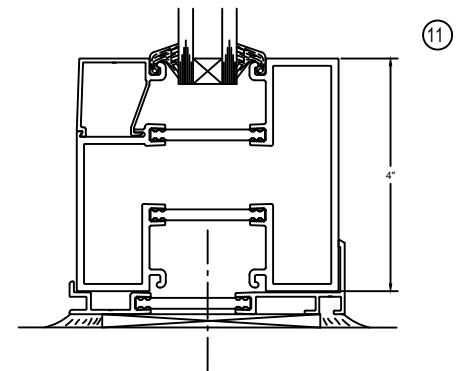
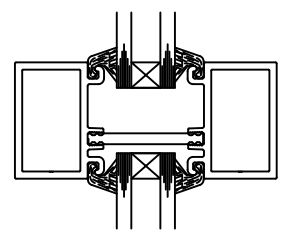
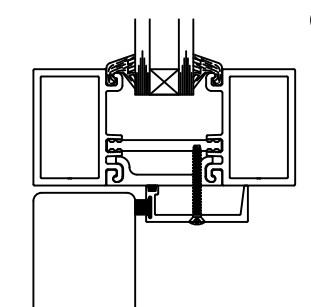
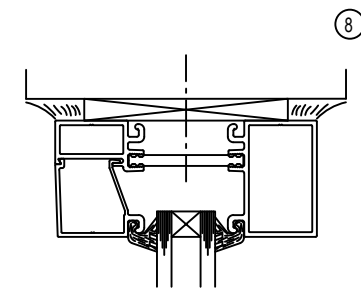
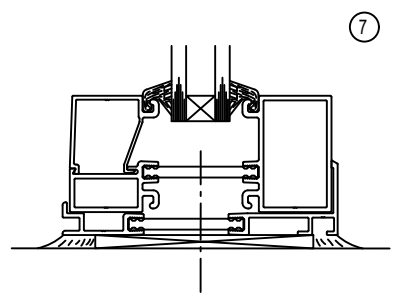
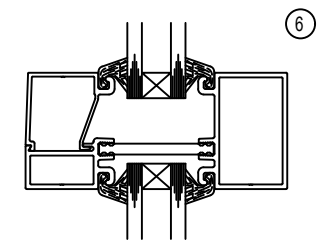
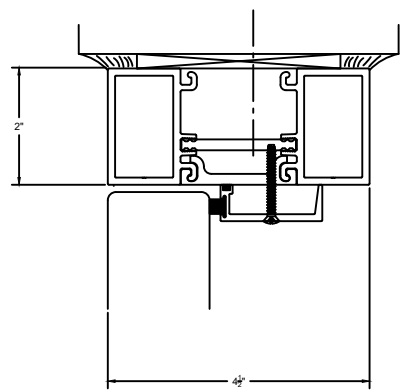
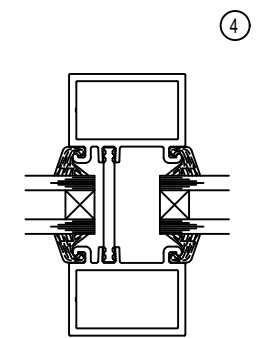
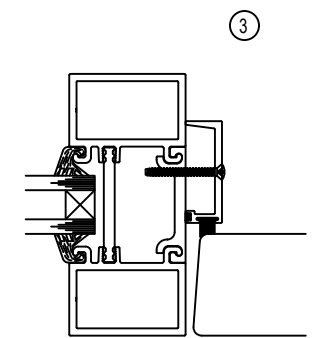
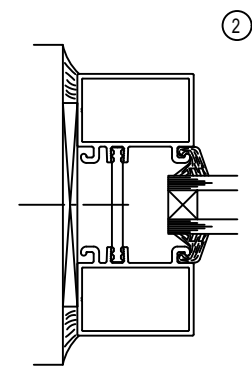
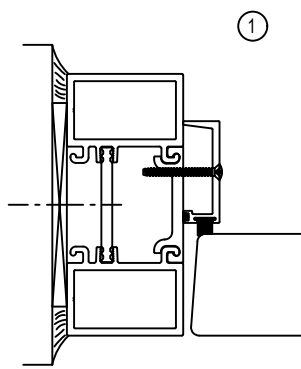
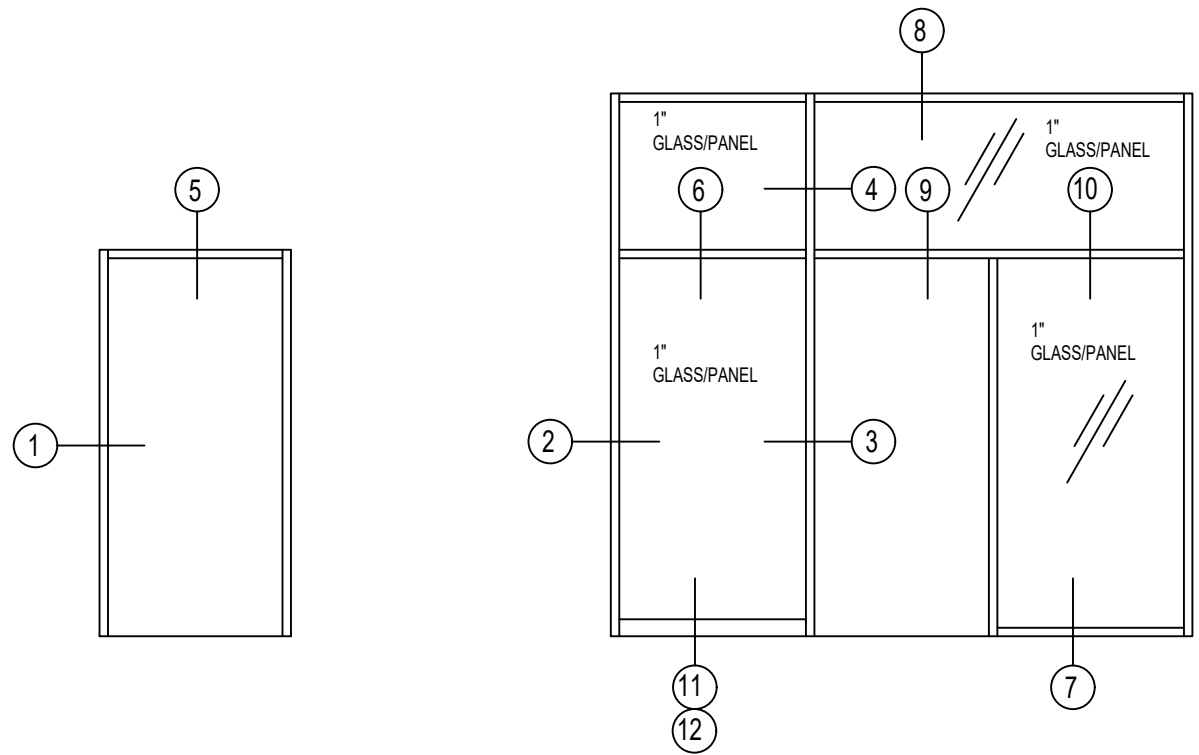

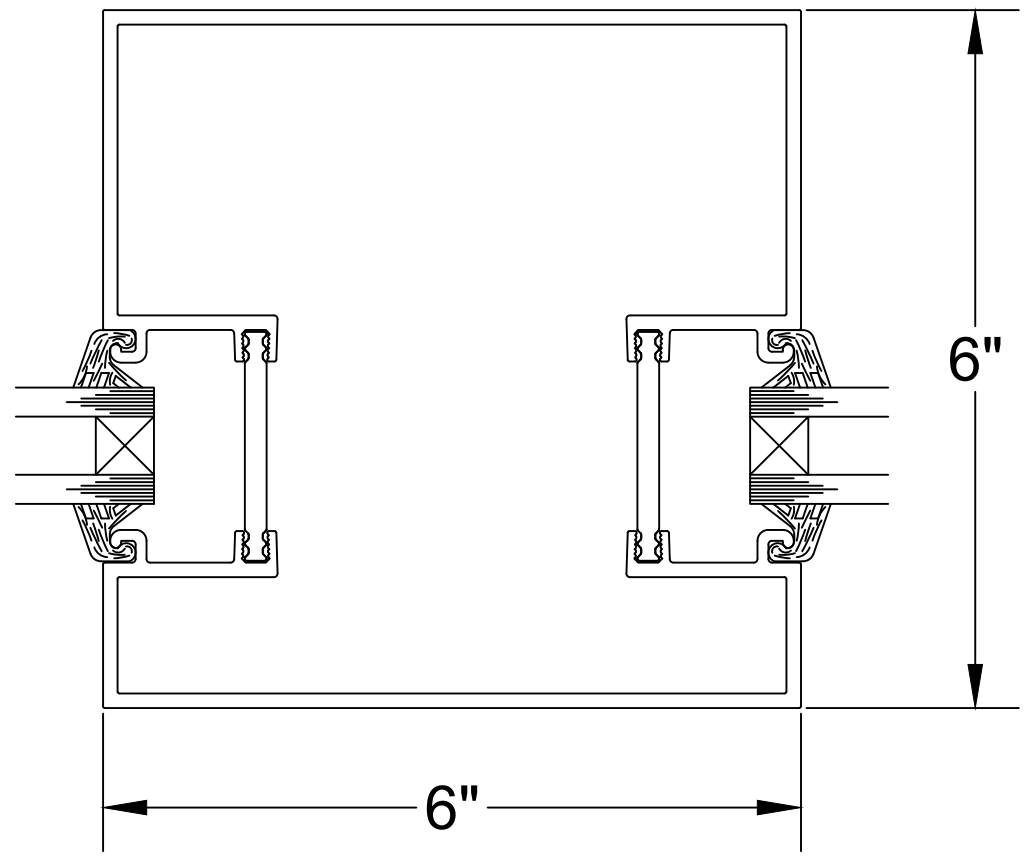
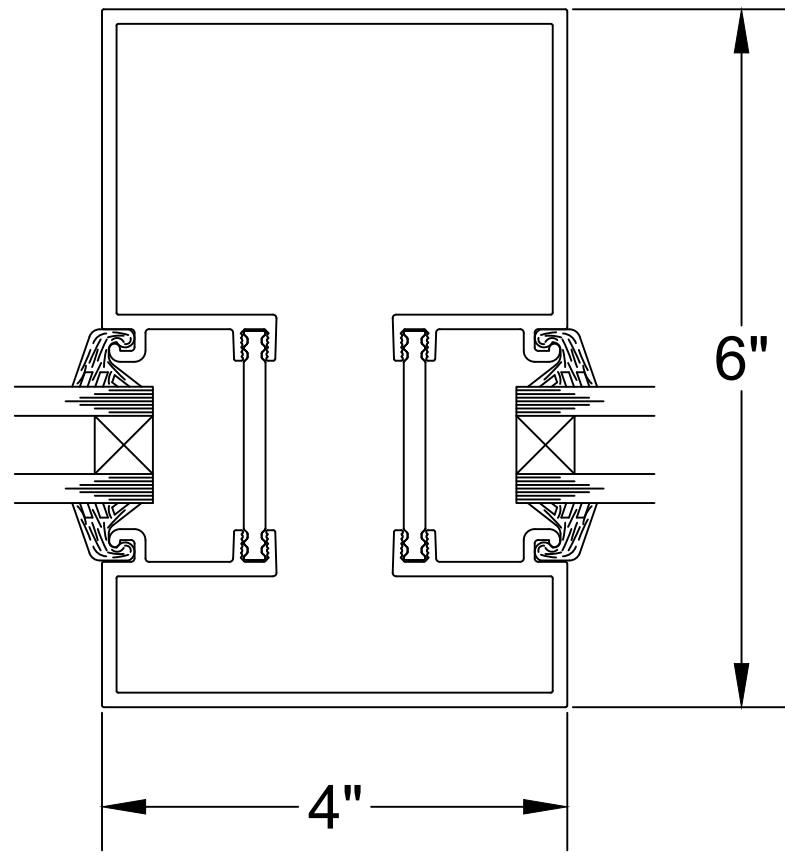
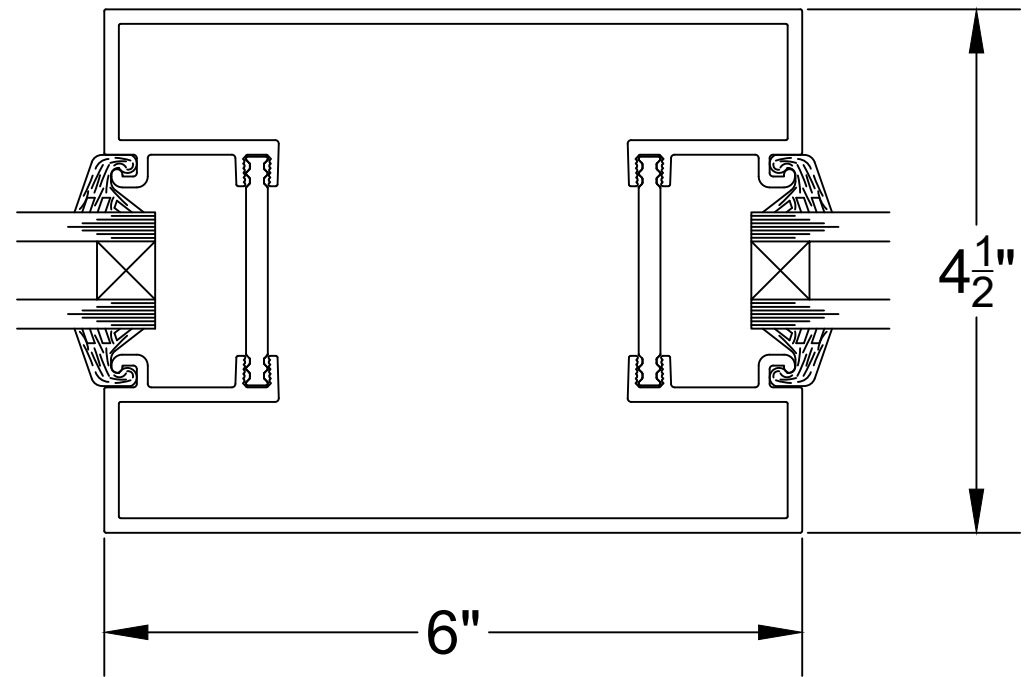
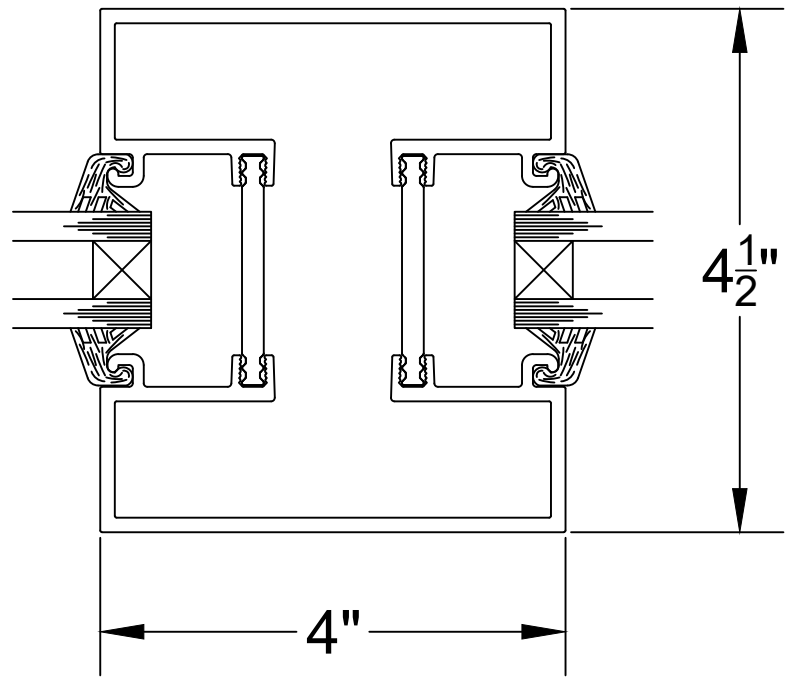

 <b>Special-Lite</b> ENGINEERED ARCHITECTURAL SOLUTIONS		SPECIAL-LITE, INC. 860 South Williams Street P.O. BOX 6 DECATUR, MI 48045 <a href="http://WWW.SPECIAL-LITE.COM">WWW.SPECIAL-LITE.COM</a>	
		DRAWN BY: JMM REVISION: 2" X 6" THERMALLY BROKEN FRAMING	
A	4/3/17	C	DATE: 4/3/2017
B		D	SHEET NO. 1 OF 3
			FILE: THERMBROKENFRAMING.dwg



 <b>Special-Lite</b> ENGINEERED ARCHITECTURAL SOLUTIONS		SPECIAL-LITE, INC. 860 South Williams Street P.O. BOX 6 DECATUR, MI 48045 WWW.SPECIAL-LITE.COM	
		2" X 4 1/2" THERMALLY BROKEN FRAMING	
DRAWN BY: JMM REVISION:	DATE: 4/3/2017	SHEET NO. 2 OF 3	FILE: THERMBROKENFRAMING.dwg
A 4/3/17 B	C D		



 <b>Special-Lite</b> <small>ENGINEERED ARCHITECTURAL SOLUTIONS</small>		<b>SPECIAL-LITE, INC.</b> 860 South Williams Street P.O. BOX 6 DECATUR, MI 48045 <a href="http://WWW.SPECIAL-LITE.COM">WWW.SPECIAL-LITE.COM</a>	
		THERMALLY BROKEN FRAMING MISCELLANEOUS RELATED ITEMS	
DRAWN BY: JMM REVISION:	DATE: 4/3/2017	SHEET NO. 3 OF 3	FILE: THERMBROKENFRAMING.dwg
A 4/3/17 C B D			