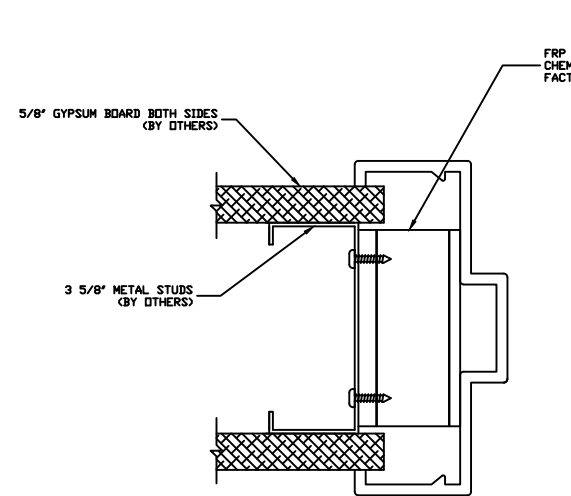
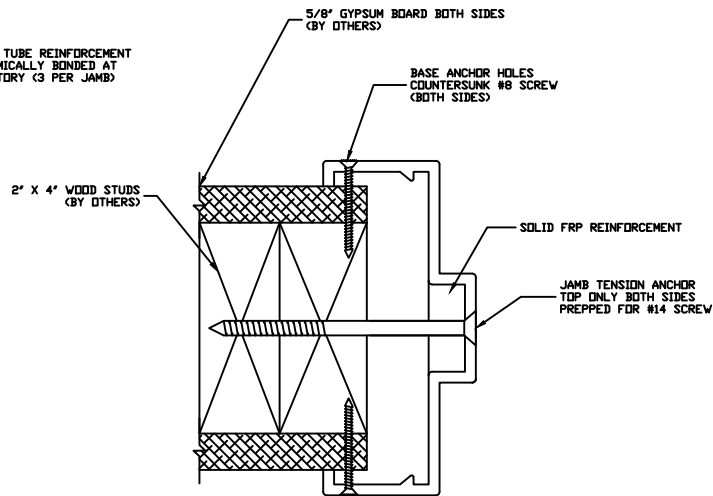
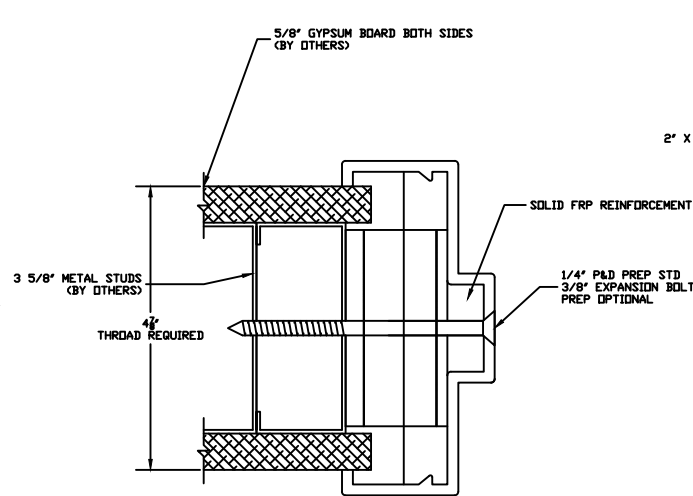
 Special-Lite <small>ENGINEERED ARCHITECTURAL SOLUTIONS</small>		SPECIAL-LITE, INC. 860 South Williams Street P.O. BOX 6 DECATUR, MI 48045 WWW.SPECIAL-LITE.COM	
DRAWN BY: JMM REVISION: A DATE: 4/27/17 SHEET NO. 1 OF 2	AF-250 5 3/4" FRAMING SYSTEM	DATE: 4/27/2017	SHEET NO. 1 OF 2
		FILE: AF250FRAMING.dwg	



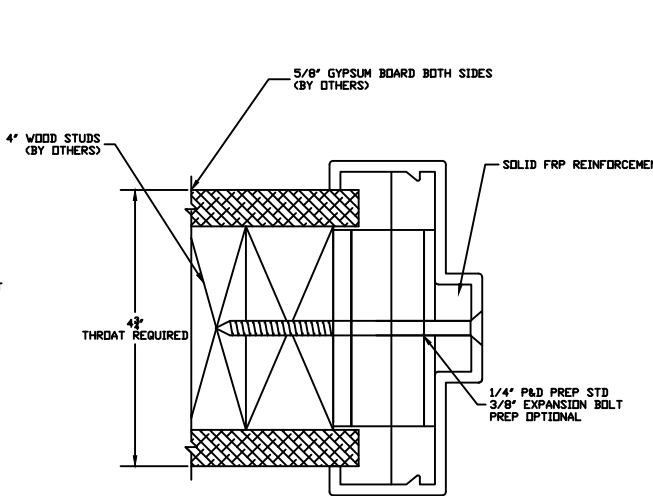
STD JAMB ANCHOR TUCK CONDITION



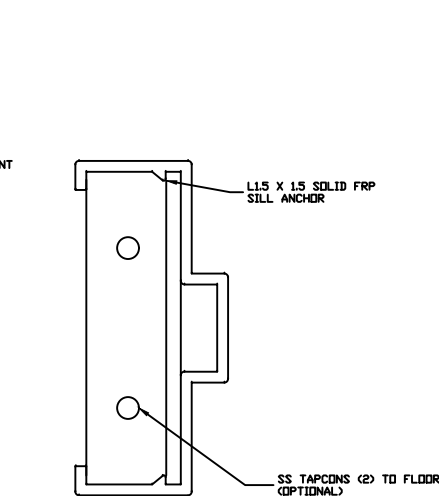
WOOD STUD KD WRAP CONDITION



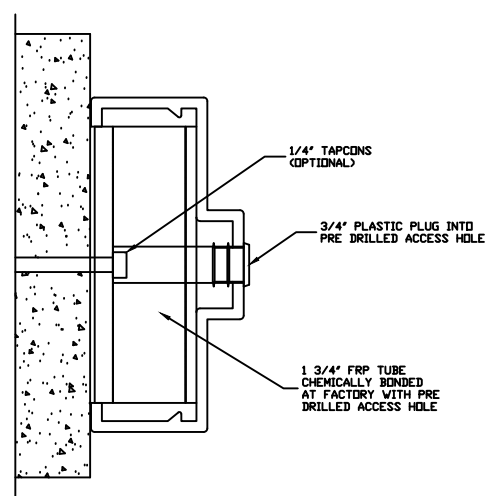
OPTIONAL PUNCH AND DIMPLE TUCK
FRP FRAME @ METAL STUDS



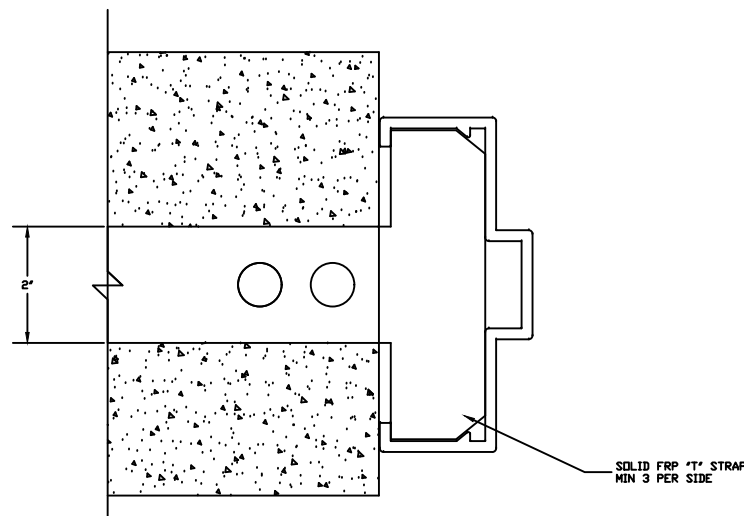
OPTIONAL PUNCH AND DIMPLE TUCK
FRP FRAME @ WOOD STUDS



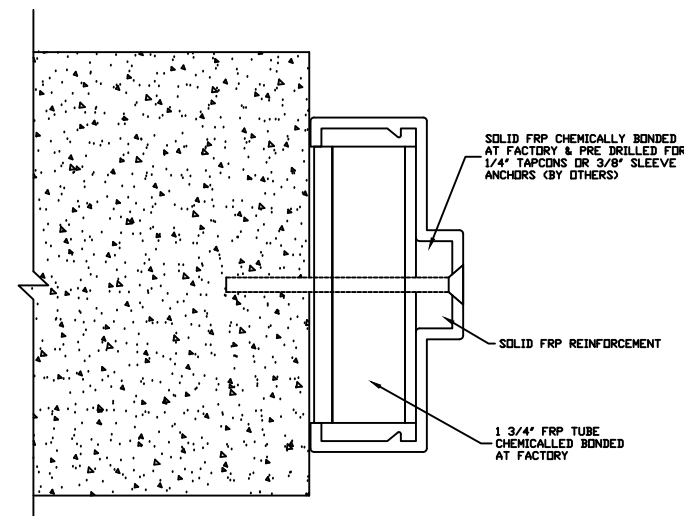
SILL ANCHOR



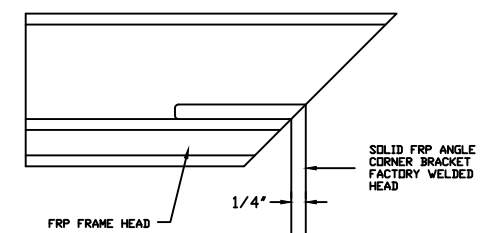
CONCEALED EXISTG MASONRY ANCHOR



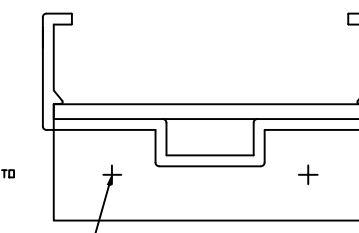
FRP FRAME @ NEW CONC BLOCK



FRP FRAME @ EXISTG CONC OR BLOCK

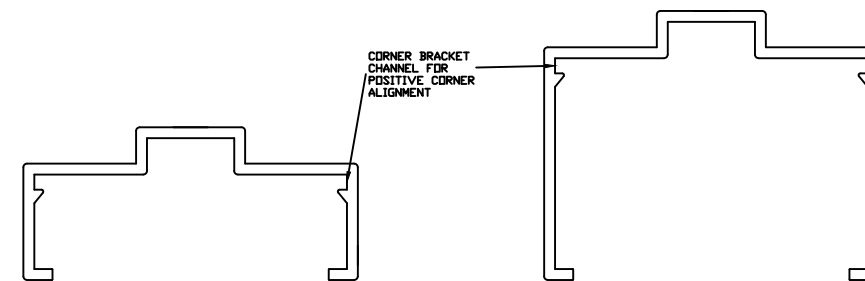


SIDE VIEW



END VIEW HEAD

TYP CORNER REINFORCEMENT



2" HEAD STANDARD

4" HEAD OPTIONAL

		SPECIAL-LITE, INC. 860 South Williams Street P.O. BOX 6 DECATUR, MI 48045 WWW.SPECIAL-LITE.COM	
DRAWN BY: JMM REVISION: _____ A 4/27/17 C B 6/16/17 D	AF-250 5 3/4" FRAMING SYSTEM		DATE: 6/16/2017 SHEET NO. 2 OF 2 FILE: AF250FRAMING.dwg