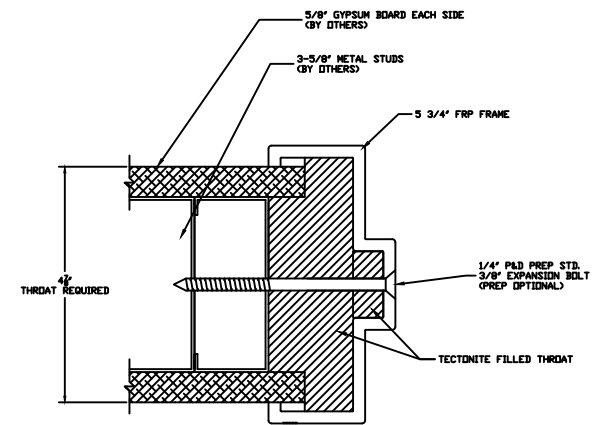
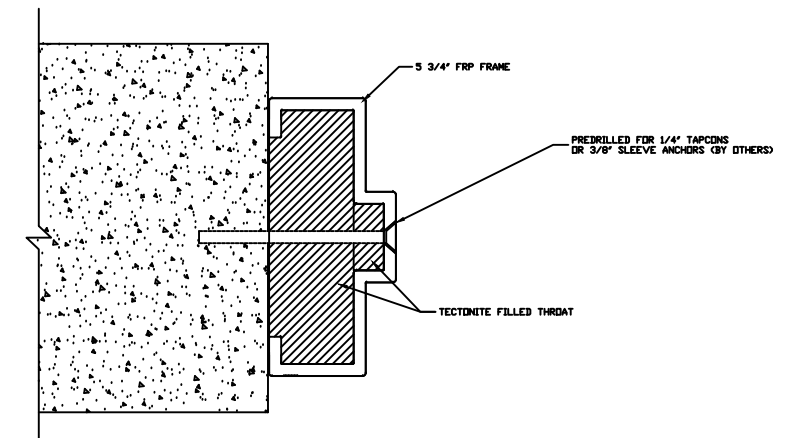


PUNCH AND DIMPLE DRYWALL TUCK
FRP FRAME @ WOOD STUDS



PUNCH AND DIMPLE TUCK
FRP FRAME @ METAL STUDS



FRP FRAME @ EXISTG CONC OR BLOCK



SPECIAL-LITE, INC.
880 South Williams Street
P.O. BOX 6
DECATUR, MI 49045

WWW.SPECIAL-LITE.COM

DRAWN BY: JMM	REVISION			FIRE RATED DOOR FRAMES	
A 4/27/17 C	DATE: 7/19/2017	SHEET NO. 1 OF 1	FILE: FRFRAMING.dwg		
B 17/19/17 D					