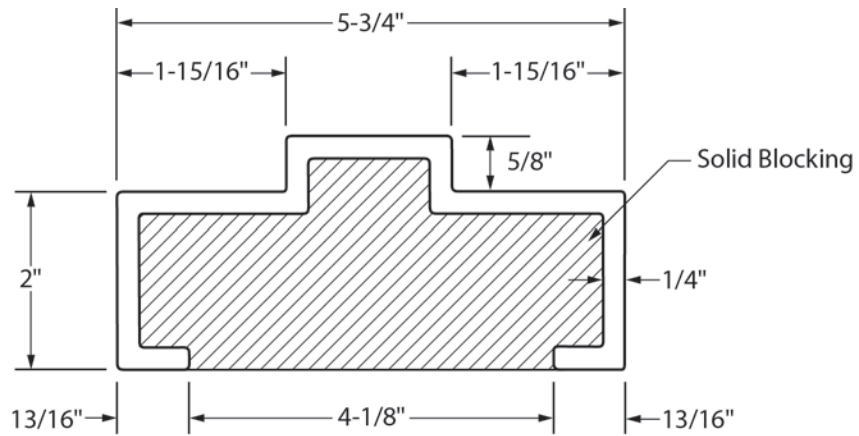
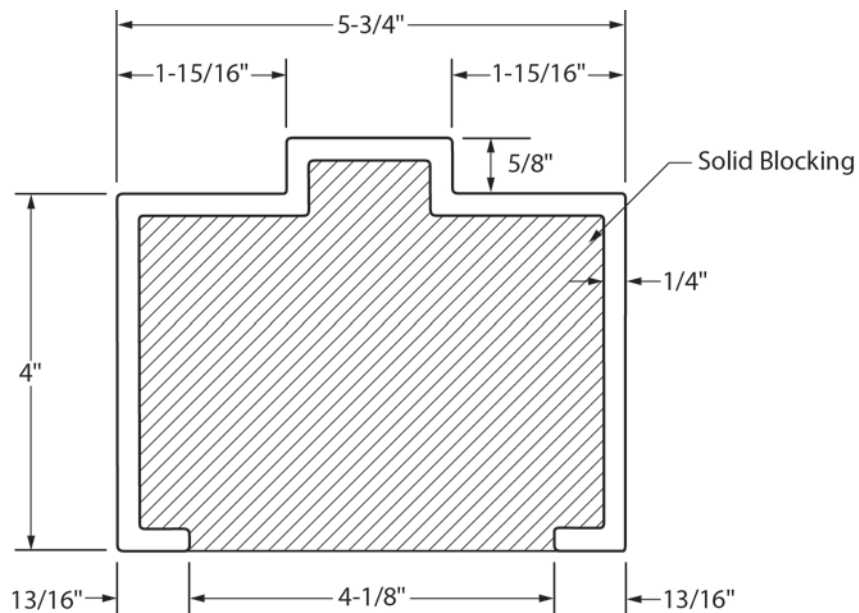


All-Fiberglass 5-3/4" Framing

Not to scale



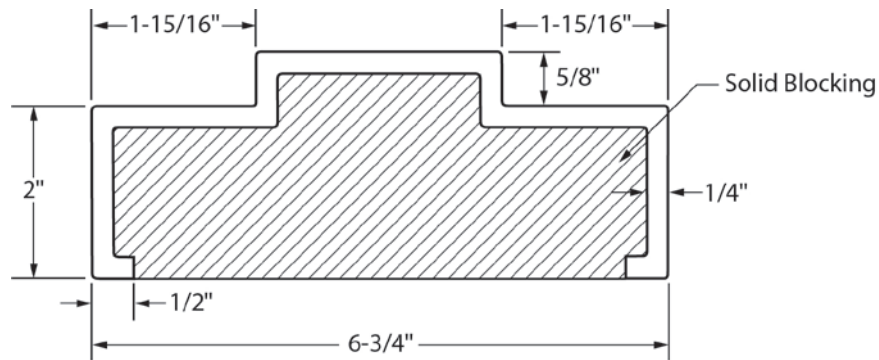
5-3/4" Standard Profile



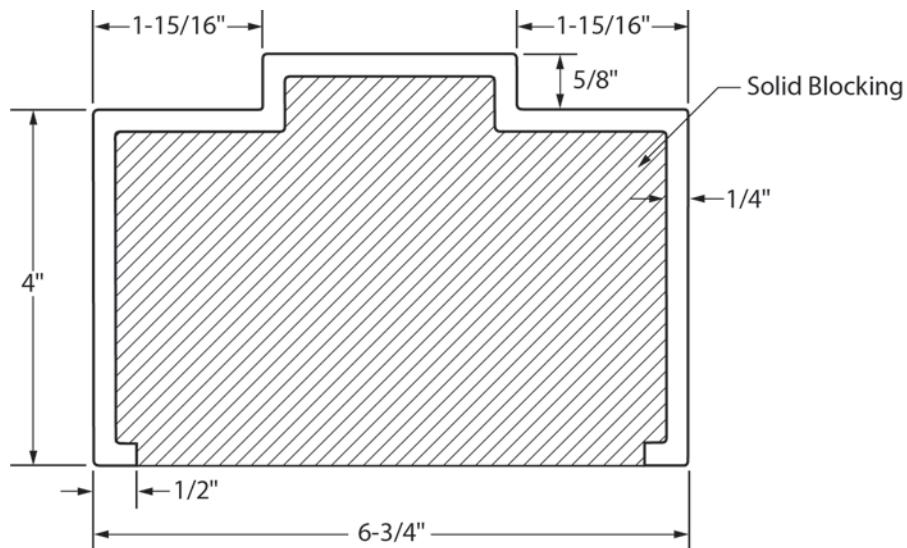
5-3/4" with 4" Head Profile

All-Fiberglass 6-3/4" Framing

Not to scale



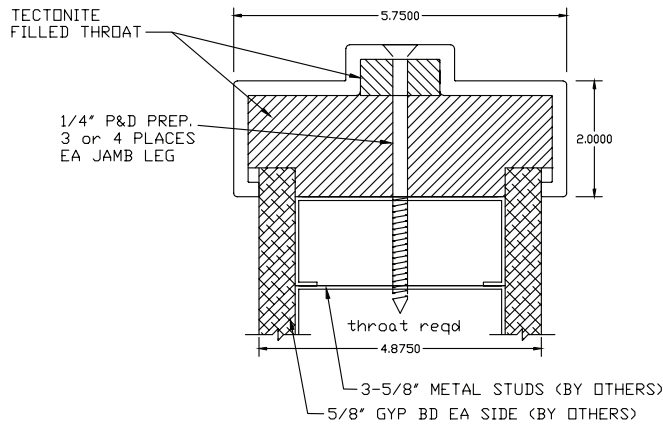
6-3/4" Standard Profile



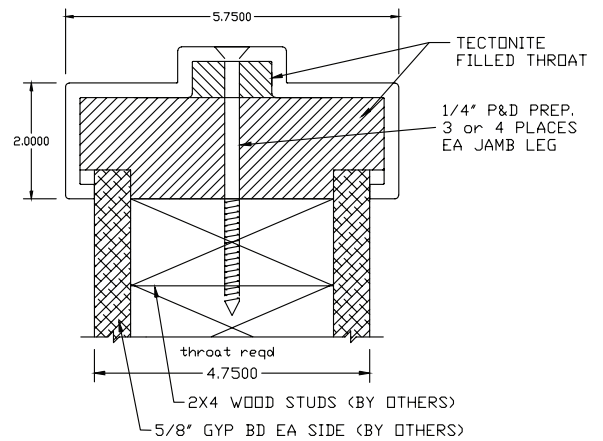
6-3/4" with 4" Head Profile

All Fiberglass Frame Anchorage

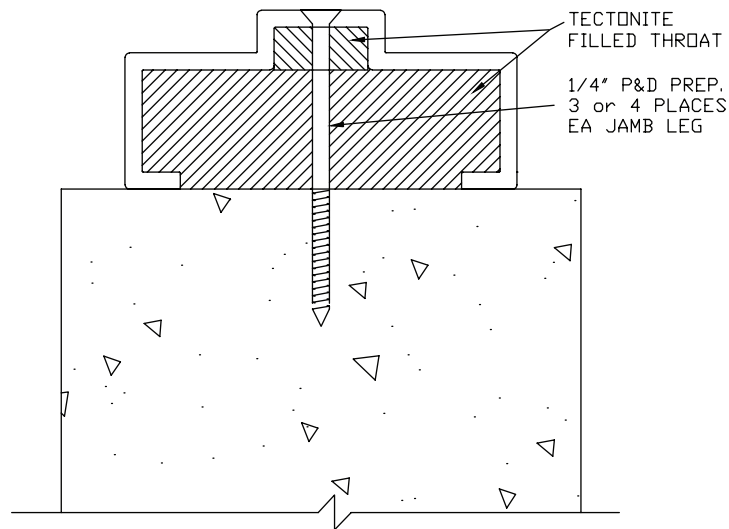
Not to scale



**Punch and Dimple Tuck
FR Frame & Metal Studs**



**Punch and Dimple Tuck
FR Frame & Wood Studs**



Existing Concrete or Block