

70-803 & 804 VISION KIT

(1/4" & 1" GLAZING NO EXPOSED FASTENERS 1/2" BITE)

CONFIDENTIALITY NOTICE: THIS DRAWING, INCLUDING ANY ATTACHMENTS, IS FOR THE SOLE USE OF THE INTENDED RECIPIENT(S) AND MAY CONTAIN CONFIDENTIAL AND PRIVILEGED INFORMATION. ANY UNAUTHORIZED REVIEW, USE, DISCLOSURE OR DISTRIBUTION IS PROHIBITED. IF YOU ARE NOT THE INTENDED RECIPIENT, PLEASE CONTACT SPECIAL-LITE, INC. AND DESTROY ALL COPIES OF THE ORIGINAL DRAWING.

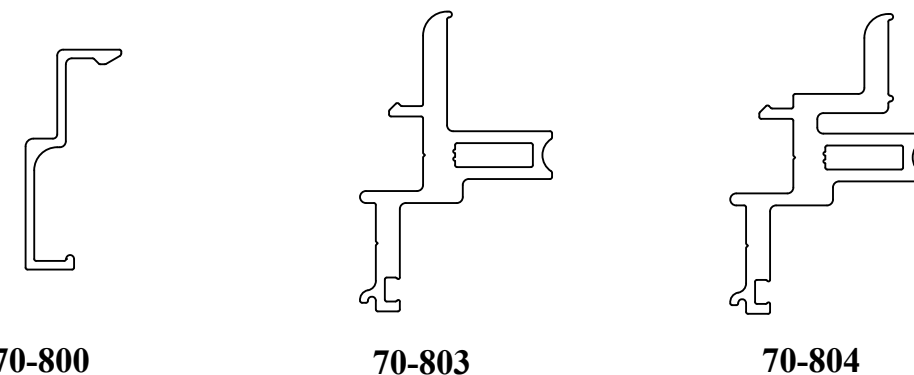
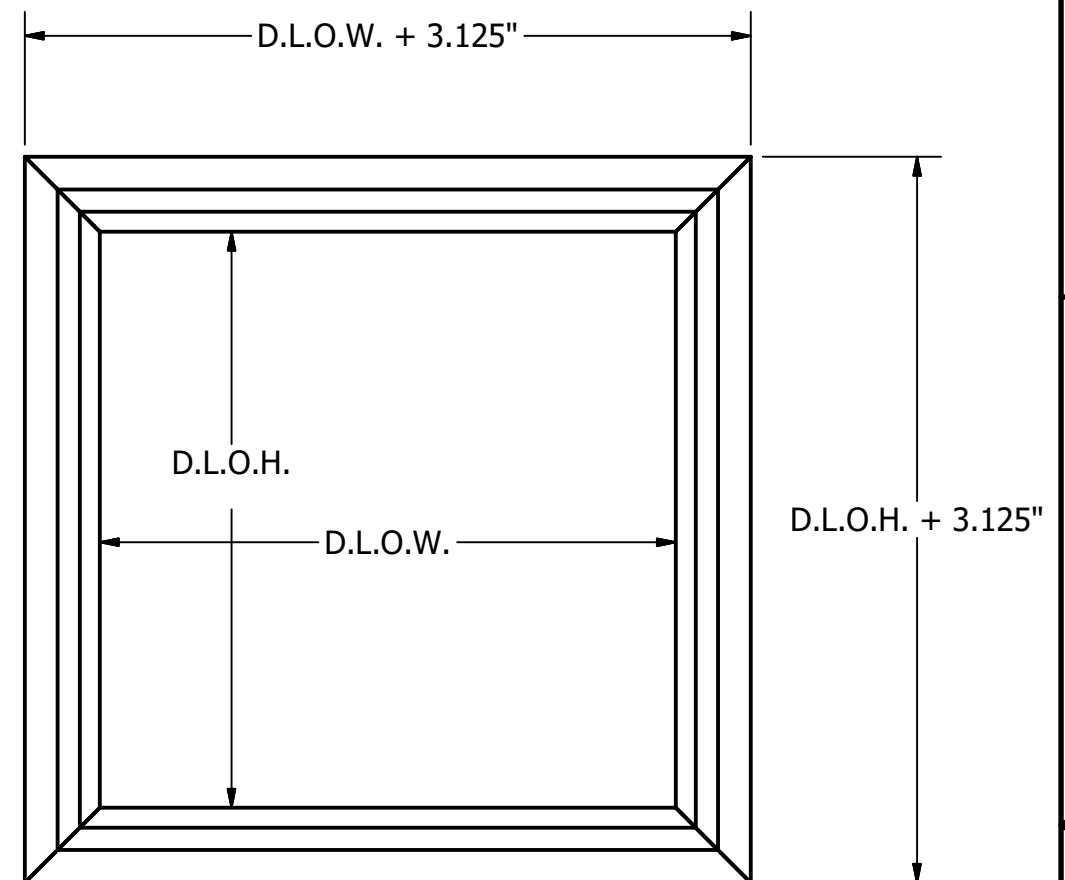
- Used for 1" glazing applications where it is desired to have no exposed fasteners on the vision lite kit.
- Used for 1" security glazing applications including but not limited to School Guard Glass (SGG).
- Kit size is calculated by adding 3.125" to the day light opening (D.L.O. + 3.125").
- Cut out size is calculated by adding 2.250" to the day light opening (D.L.O. + 2.250").
- Glass size is calculated by adding 1" to the day light opening (D.L.O. + 1.000").
- 70-800 (snap trim cover) size is calculated by adding 3.125" to the day light opening and should be cut to match each piece of 70-803.
- Fasteners located 4 5/8" from the end $\leq 16"$ O.C., for security glazing $\leq 8"$ O.C.


Installation of Normal Glazing

- Pickup the vision lite kit for the cutout opening.
- Use 3/16" x 3/8" thick glazing tape around the interior (where glass meets the lite kit) and 1/8" x 1/2" thick glazing tape around the exterior edges of the vision lite kit both on interior and exterior vision lite.
- **DO NOT PLACE GLAZING TAPE ACROSS THE BOTTOM OF VISION KIT, WHERE THE KIT MEETS THE DOOR ON THE OUTSIDE.**
- With exterior side of door down lift the door up and place the exterior kit inside of the cutout opening.
- Pick up the glass from the cart, remove the cork squares and the sticker.
- Place the glass in the cutout opening with the logo on the glass facing the lower hinge stile.
- Place the setting blocks between the glass and the vision lite kit.
- Lay the other half of the vision lite kit on the top of the glass.
- Using DF-0004 drill all holes through first wall of exterior kit with #29 (1/8") drill.
- Put the screws in all the holes in the kit and tighten use 1 1/4" screw for $\leq 0.120"$ (1/8") thick skin and 1 1/8" for 0.0625" (1/16") thick skin.
- Install 70-800 (snap trim cover) by hooking bottom and snapping the top.
- Wipe the inside of the vision lite kit clean.

Installation of Security Glazing

- Pickup the vision lite kit for the cutout opening.
- Use Normount V2862 glazing tape around the interior and 1/8" x 1/2" thick glazing tape around the exterior edges of the vision lite kit.
- **DO NOT PLACE GLAZING TAPE ACROSS THE BOTTOM OF VISION KIT, WHERE THE KIT MEETS THE DOOR ON THE OUTSIDE.**
- With exterior side of door down lift the door up and place the exterior kit inside of the cutout opening.
- Peel back corners of glazing tape cover only fold to exterior of kit.
- Pick up the glass from the cart, remove the cork squares and the sticker.
- Place the glass in the cutout opening with the logo on the glass facing the lower hinge stile or attack side facing the exterior remove backing tape from kit now.
- Place the setting blocks between the glass and the vision lite kit.
- Peel back corners of glazing tape cover only and fold to interior of kit.
- Lay the other half of the vision lite kit on the top of the glass.
- Using DF-0004 drill all holes through exterior kit with #7 (13/64") drill.
- Put 10-32 x 1.75" machine screws in all holes with head on interior side of vision kit.
- Place 10-32 hex nut on all screws from exterior side make sure nut sits in chanel of vision lite kit and tighten loosely.
- Peel backer off of glazing tape and fully tighten screws.
- Install 70-800 (snap trim cover) by hooking bottom and snapping the top.
- Wipe the inside of the vision lite kit clean.



UNLESS OTHERWISE SPECIFIED 0.0" ± 0.015" 0.00" ± 0.010" 0.000" ± 0.0025" 0.0000" ± 0.0005" © 0.0001" T.I.R. ALL FILLETS & ROUNDS R.015" FINISH 125 RMS ALL MACHINED SURFACES TO BE FREE OF BURS	DRAWN A. Esposito	3/2/2017	 Special-Lite® ENGINEERED ARCHITECTURAL SOLUTIONS <small>860 SOUTH WILLIAMS STREET DECATUR, MI 49045 (800)821-6531 WWW.SPECIAL-LITE.COM</small>	
	CHECKED A. Esposito	4/11/2017		
	QA		TITLE	70-803 & 804 Installation Instructions
	MFG		SIZE	B
APPROVED		DWG NO		
MATERIAL		SCALE	1 / 4	
WEIGHT		REV	C	
COATING		SHEET	1 OF 1	