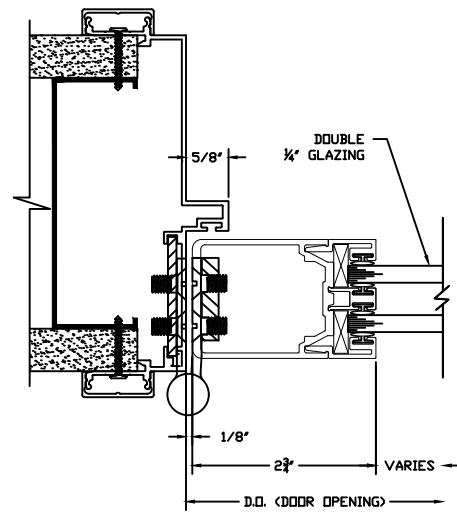
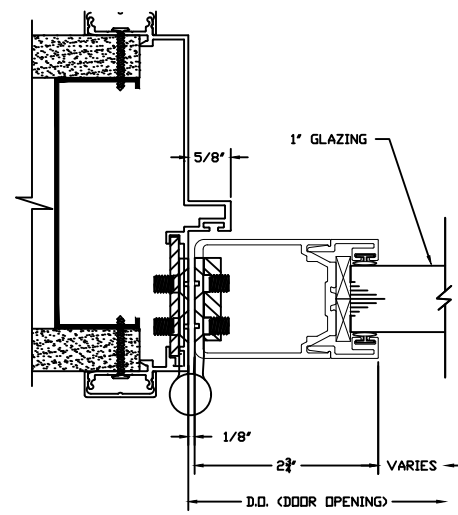


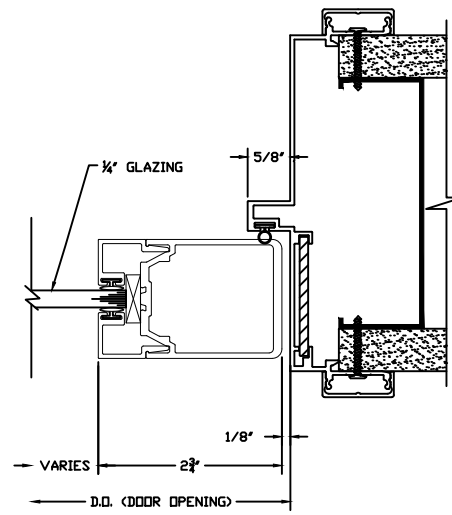
HINGE JAMB DETAIL 1/4" GLAZING



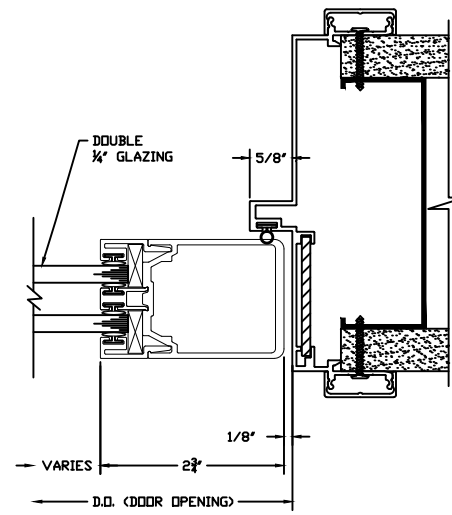
HINGE JAMB DETAIL DOUBLE 1/4" GLAZING



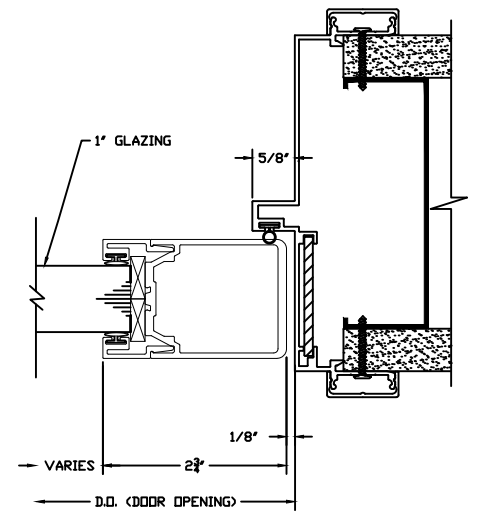
HINGE JAMB DETAIL 1" GLAZING



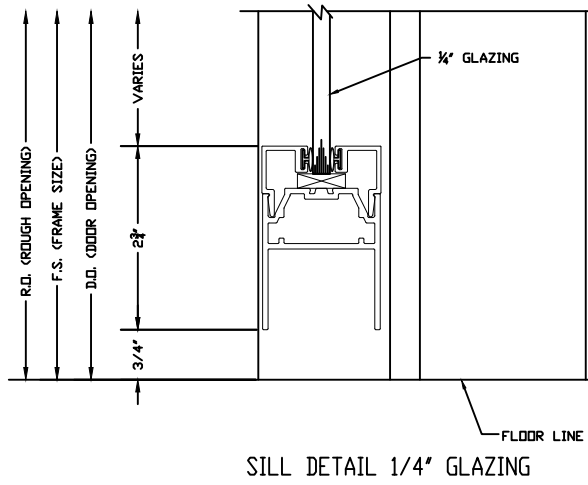
LOCK JAMB DETAIL 1/4" GLAZING



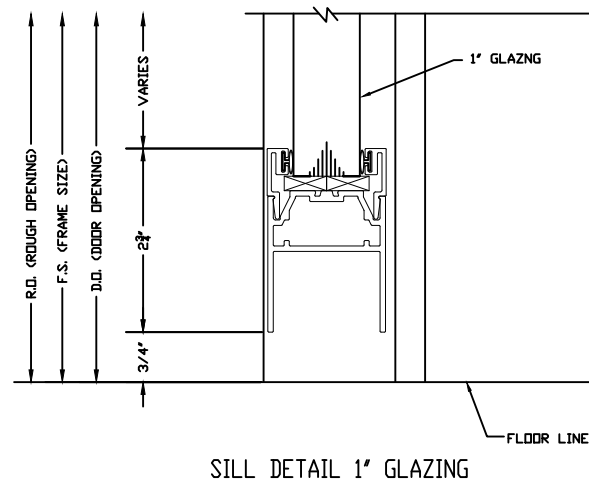
LOCK JAMB DETAIL DOUBLE 1/4" GLAZING



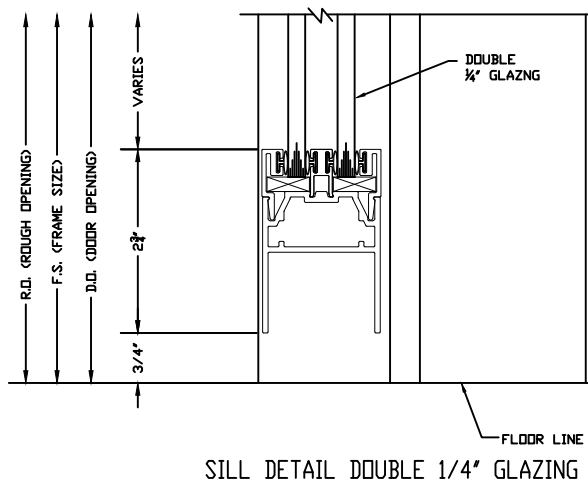
LOCK JAMB DETAIL 1" GLAZING



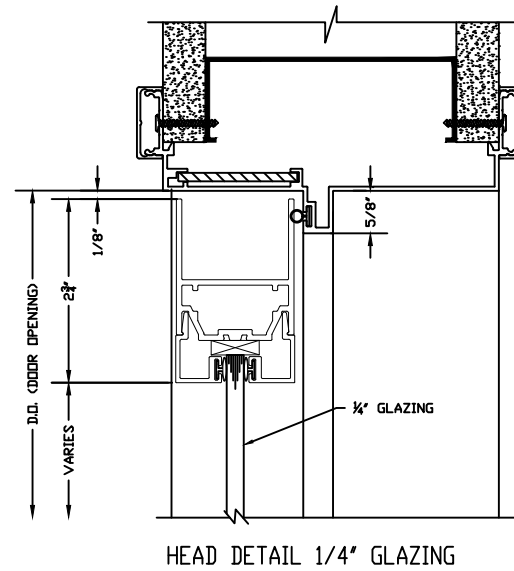
SILL DETAIL 1/4" GLAZING



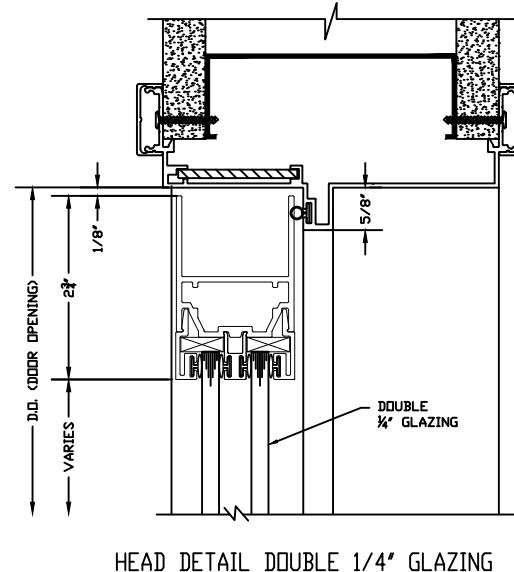
SILL DETAIL 1" GLAZING



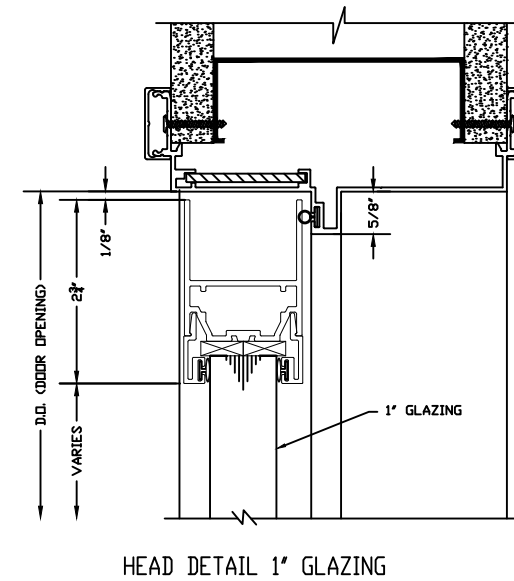
SILL DETAIL DOUBLE 1/4" GLAZING




HEAD DETAIL 1/4" GLAZING

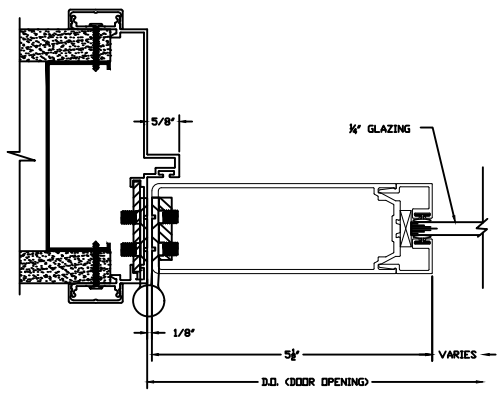


HEAD DETAIL DOUBLE 1/4" GLAZING

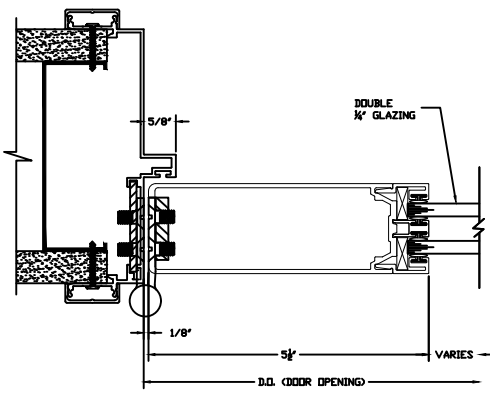


HEAD DETAIL 1" GLAZING

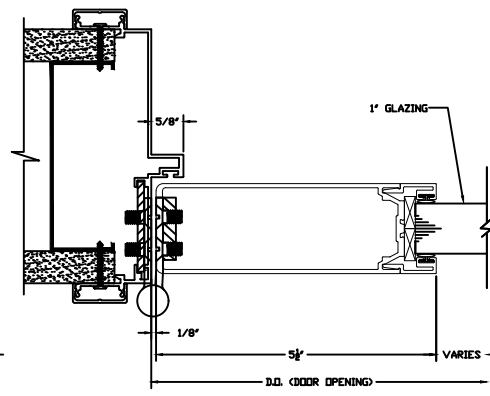
		SPECIAL-LITE, INC. 860 South Williams Street P.O. BOX 6 DECATUR, MI 48045 WWW.SPECIAL-LITE.COM	
DRAWN BY: JMM REVISION:	SLI-12 NARROW STILE INTERIOR ALUMINUM FRAMED DOOR		
A 4/3/17 C B 7/12/17 D	DATE: 7/12/2017	SHEET NO. 1 OF 4	FILE: SLIDETAILS.dwg



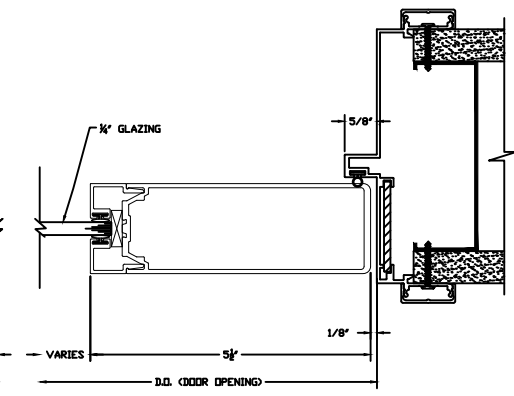
HINGE JAMB DETAIL 1/4" GLAZING



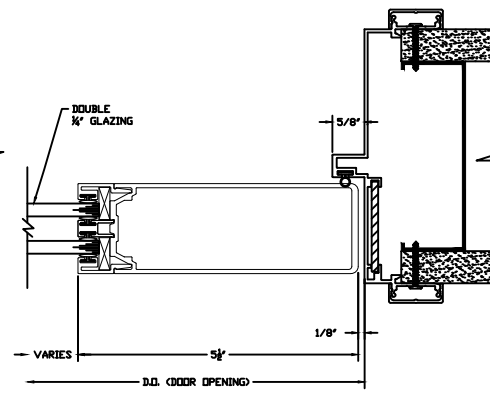
HINGE JAMB DETAIL DOUBLE 1/4" GLAZING



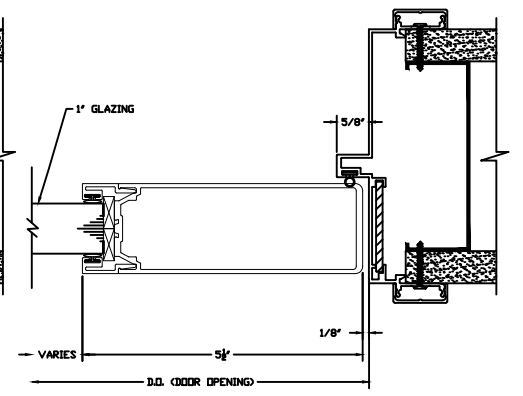
HINGE JAMB DETAIL 1" GLAZING



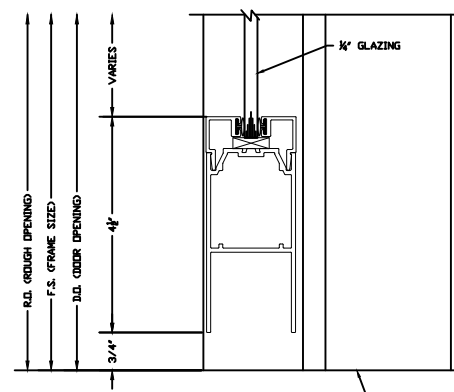
LOCK JAMB DETAIL 1/4" GLAZING



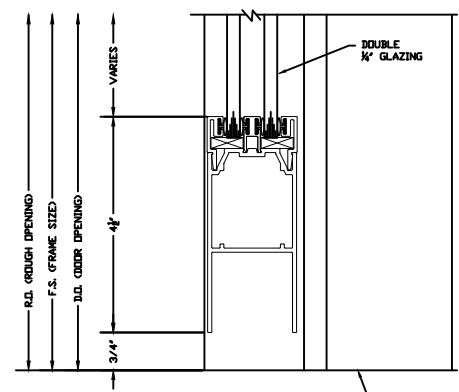
LOCK JAMB DETAIL DOUBLE 1/4" GLAZING



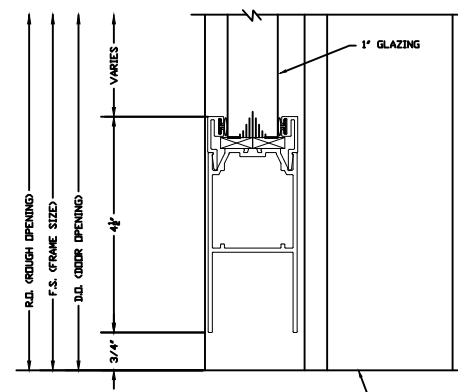
LOCK JAMB DETAIL 1" GLAZING



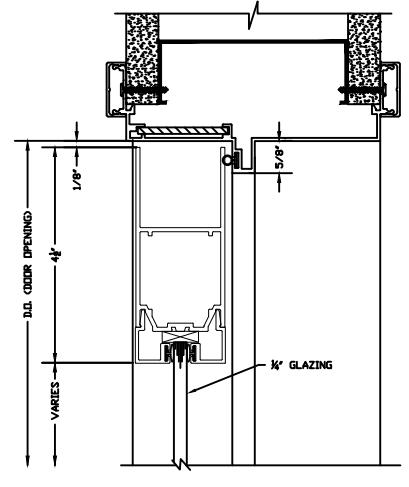
SILL DETAIL 1/4" GLAZING



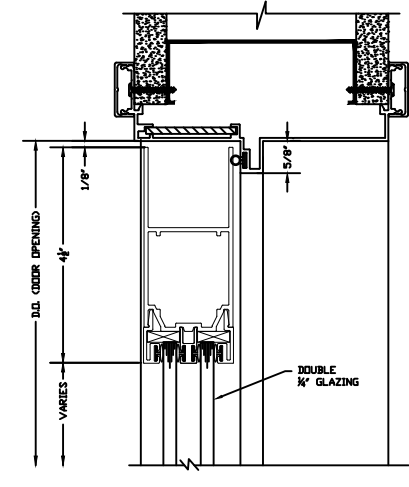
SILL DETAIL DOUBLE 1/4" GLAZING



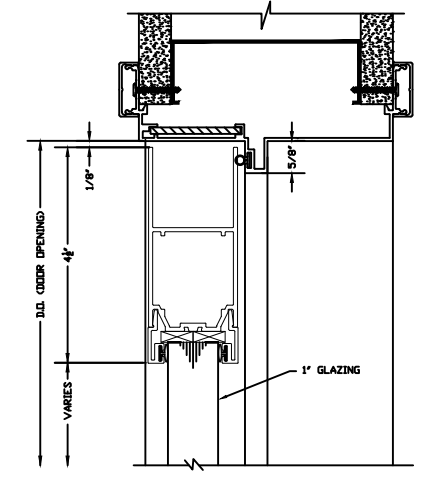
SILL DETAIL 1" GLAZING



HEAD DETAIL 1/4" GLAZING

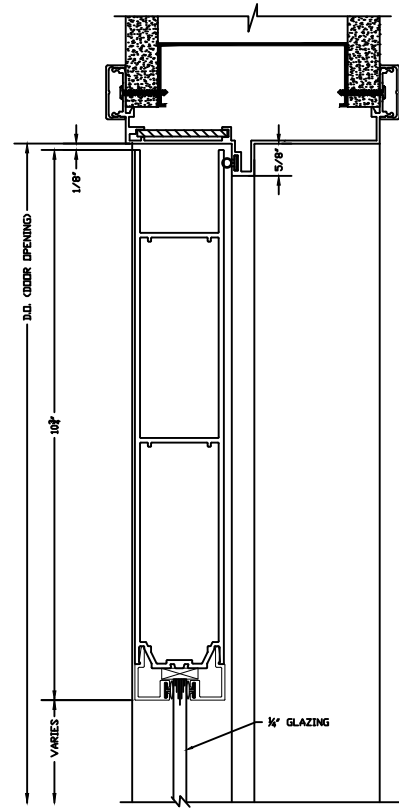


HEAD DETAIL DOUBLE 1/4" GLAZING

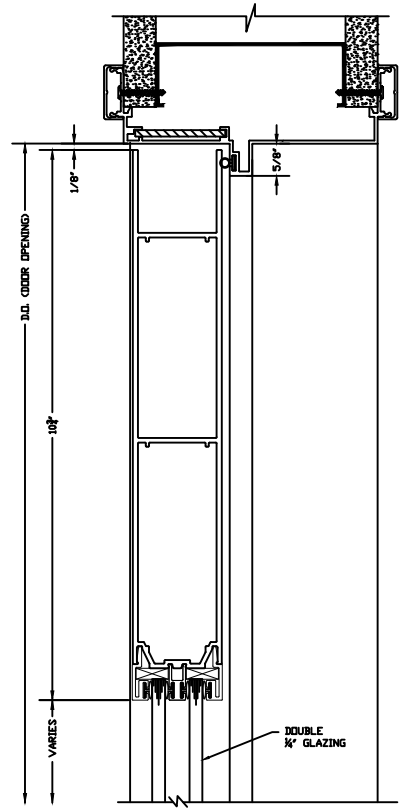


HEAD DETAIL 1" GLAZING

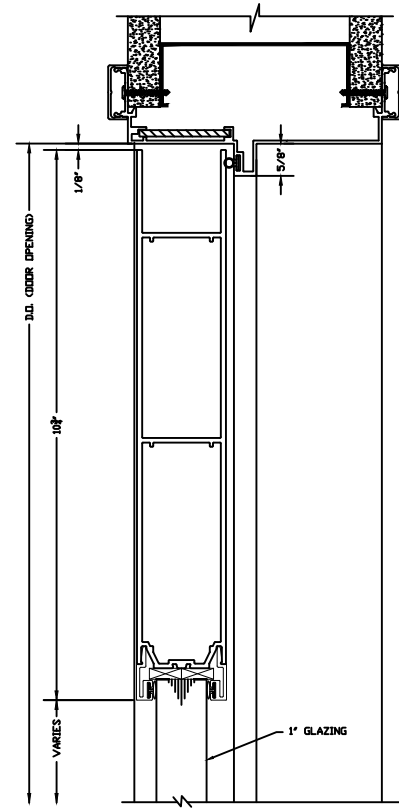
		SPECIAL-LITE INC. 880 South Williams Street P.O. BOX 8 DECATUR, MI 48045 WWW.SPECIAL-LITE.COM	
		DRAWN BY: JAM REVISION:	SLI-15 WIDE STILE INTERIOR ALUMINUM FRAMED DOOR
A 4/3/17 C B 7/22/17 D	DATE: 7/12/2017	SHEET NO. 3 OF 4	FILE: SLIDETALS.dwg



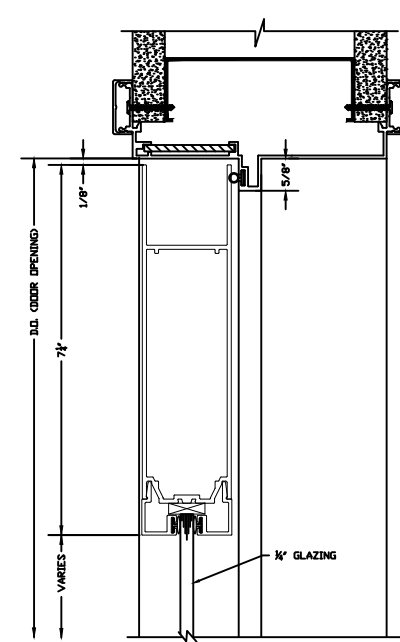
HEAD DETAIL 1/4" GLAZING (OPTIONAL 10 3/4" RAIL)



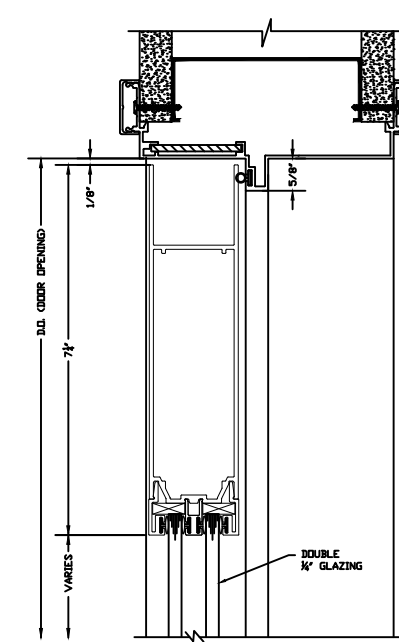
HEAD DETAIL DOUBLE 1/4" GLAZING (OPTIONAL 10 3/4" RAIL)



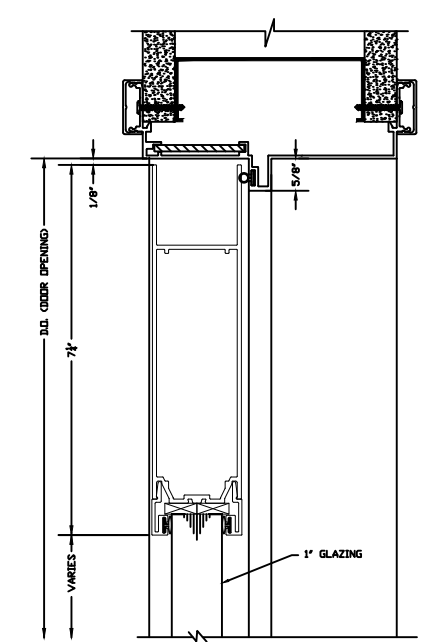
HEAD DETAIL 1" GLAZING (OPTIONAL 10 3/4" RAIL)



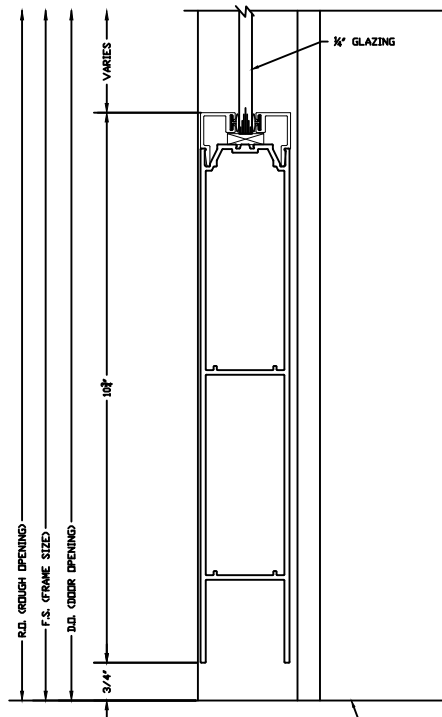
HEAD DETAIL 1/4" GLAZING (OPTIONAL 7 1/4" RAIL)



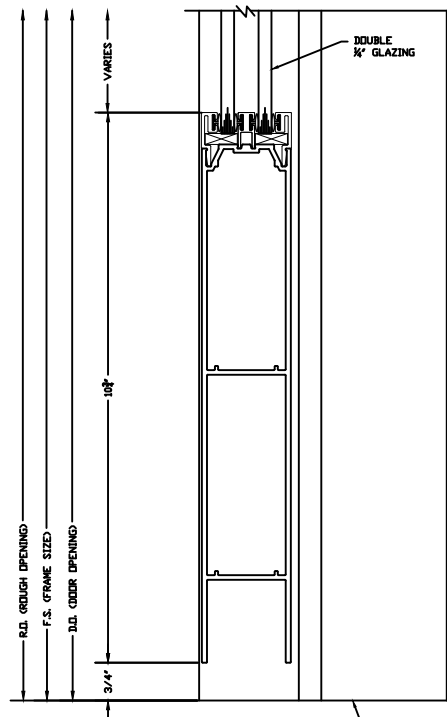
HEAD DETAIL DOUBLE 1/4" GLAZING (OPTIONAL 7 1/4" RAIL)



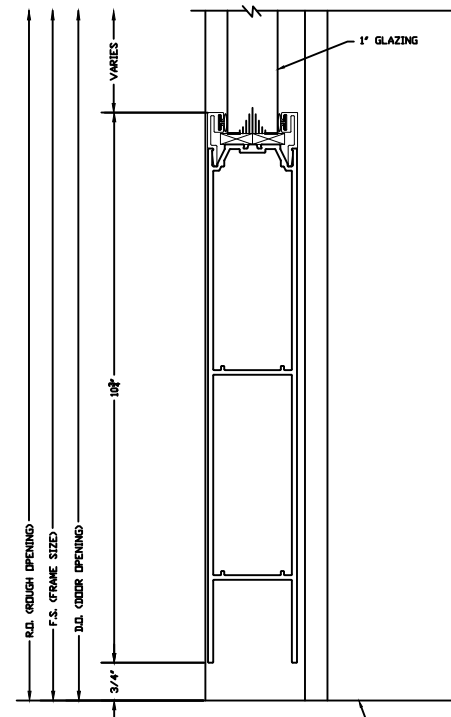
HEAD DETAIL 1" GLAZING (OPTIONAL 7 1/4" RAIL)



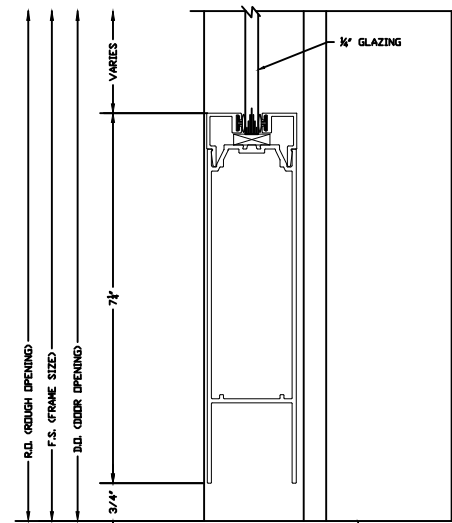
SILL DETAIL 1/4" GLAZING (OPTIONAL 10 3/4" RAIL)



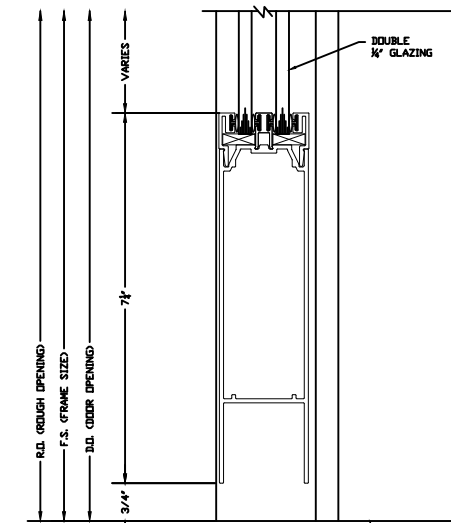
SILL DETAIL DOUBLE 1/4" GLAZING (OPTIONAL 10 3/4" RAIL)



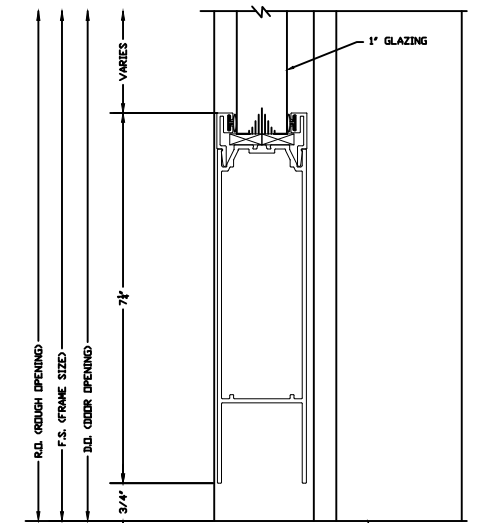
SILL DETAIL 1" GLAZING (OPTIONAL 10 3/4" RAIL)



SILL DETAIL 1/4" GLAZING (OPTIONAL 7 1/4" RAIL)



SILL DETAIL DOUBLE 1/4" GLAZING (OPTIONAL 7 1/4" RAIL)



SILL DETAIL 1" GLAZING (OPTIONAL 7 1/4" RAIL)



SPECIAL-LITE, INC.
860 South Williams Street
P.O. BOX 6
DECATUR, MI 48045
WWW.SPECIAL-LITE.COM

DRAWN BY: JMM	SLI DOOR OPTIONAL RAILS		
REVISION	DATE: 7/12/2017	SHEET NO. 4 OF 4	FILE: SLIDETAILS.dwg
A 4/3/17 C			
B 7/12/17 D			