

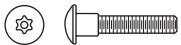
INSTALLATION INSTRUCTIONS

Special-Lite® Restroom Partitions

IMPORTANT - BEFORE YOU START . . .

1. Read through these installation instructions first to understand the order of work.
2. Check all components and hardware received against parts list and layout drawing provided by Special-Lite, Inc. Measure all panel, pilaster and door sizes and confirm against layout drawing. Measure room and check it to drawing.
3. Determination of locations for appropriate structural anchorage is the responsibility of the installer, and must be done at the layout stage, referencing the layout drawing provided.
4. Determine all potential interferences or significant out of plumb or square wall or floor conditions before the layout step to make appropriate allowances or modifications.
5. Locate masonry bit and T25 Torx bit and 12-24 tap provided, and all other drill bits required as noted in these instructions.

Fastener Identification

SL-SC-2

**10/24 Shoulder
Machine Screw**
SL-SC-3

**10/24 - 1-1/8"
Machine Screw**
SL-SC-4

10/24 Barrel Nut
SL-SC-7

#12 - 2" Screw
SL-SC-8

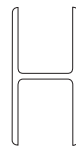
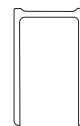
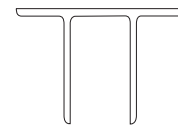
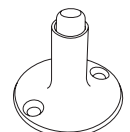
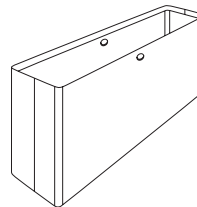
**10/24 - 1-3/4"
Machine Screw**
SL-SC-97

12/24 Machine Screw
SL-SC-120

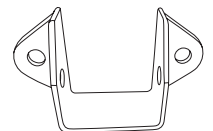
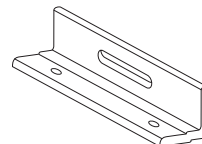
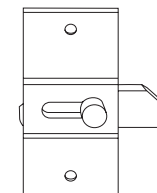
Plastic Anchor
SL-SC-30

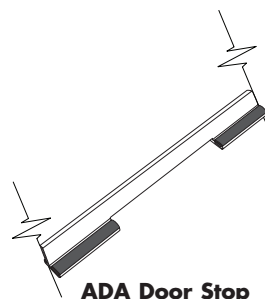
Finish Washer

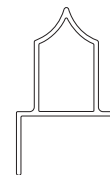
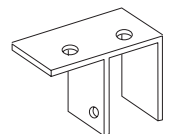
Hardware I.D.


"H" Bracket

"U" Bracket

"T" Bracket

Door Bumper

Pilaster Shoe

Hook Bumper

Door Pull

**Headrail
Wall Bracket**

Slide Latch Strike

Slide Latch

Door Stop

ADA Door Stop

**Head Rail
End Cap**

Head Rail

**Head Rail
"F" Bracket**

Restroom Partition Installation

Important Notes:

- A. Do not assume any wall or floor surface is plumb or level. They seldom are. Use a level or plumb bob as required throughout the entire installation process for best results.
- B. **It is important that Special-Lite Restroom Partition components be installed from the high point of the floor to the low point, typically from the edges of the space out toward the center of the room.** It is recommended that several 12" wood blocks and a selection of shim wedges be used to help position panels at required heights during installation period.
- C. Special-Lite Restroom Partition doors, panels, and pilasters are not factory pre-drilled so that compensations can be made during installation to ensure a plumb and square installation.
- D. All mounting brackets are pre-drilled for anchor fasteners, and once positioned properly can be used as a drill jig or template to ensure proper hole alignment in panels and pilasters.
- E. Use the 1/4" masonry bits and plastic expanding anchors provided.
- F. The proper Torx bit (T25) has been provided for the tamper-resistant screws included.
- G. Use a 1/4" drill bit for all through-holes for barrel nuts.
- H. When using electric or cordless drills to install fasteners, set them on a low torque setting to avoid over tightening of fasteners that could deform panels, pilasters or brackets.

PARTITION SYSTEM INSTALLATION

Important Notes:

- A. All layout dimensions are to centerline of panels, pilasters, and brackets. Some brackets have offset fastener hole locations as shown in FIGURE A.
- B. If cordless drills are used to run in through-bolts, be sure to set drill torque setting toward the lower end of the range to avoid over-tightening bolts and deforming panels.

LAY OUT CENTERLINES OF PANELS AND PILASTERS ON WALLS AND FLOOR

1. Confirm orientation of partitions in room and confirm all room dimensions against the layout drawing provided.
2. Mark centerlines of panels and pilasters on walls using the drawing provided. Use a level or plumb bob to ensure accuracy.

3. Mark centerlines of panels and pilasters on the floor. Mark center lines of pilasters in both directions.

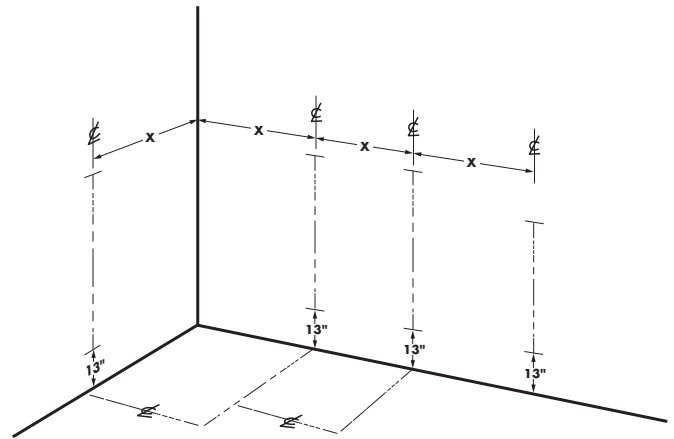
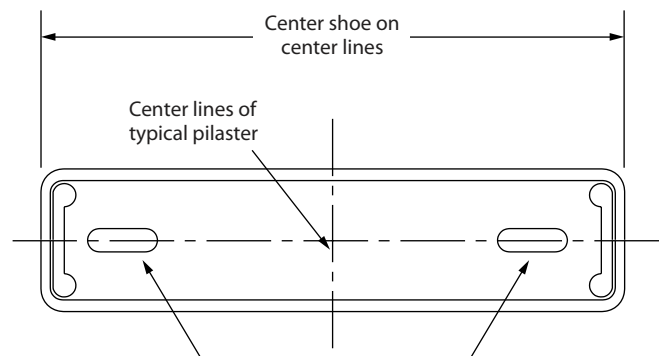


FIGURE A

LAY OUT FLOOR ANCHOR HOLES

1. Mark locations of floor anchor holes by centering the respective pilaster shoe in both directions. On the floor, layout pilaster locations. Using the shoe as a template, mark all elongated floor anchor holes directly on the floor as shown in FIGURE B.



Use shoe as a template and mark anchor holes on floor. Drill anchor holes in the center of the shoe slots for maximum lateral adjustment.

FIGURE B

Important Note:

The pilaster shoes used for installing Special-Lite Restroom Partitions allow for a range of vertical adjustment to provide a level and plumb installation. These ranges are shown in illustration FIGURE C accompanying the installation steps. Conditions falling outside these ranges will require that shims be used as required by the installer.

Restroom Partition Installation

Important Note:

The design of Special-Lite Restroom Partitions allows for a range of movement of the panels and pilasters within their mounting brackets to compensate for out-of-plumb or out-of-level wall and floor conditions.

INSTALL WALL-MOUNTED PANELS

1. Install wall anchor "U" or "T" brackets using the provided T25 driver bit and #12 - 2" screws.
2. Support panels on suitable supports and shim as necessary to position bottom edge of panel 12" from floor, with the panel edge facing the wall, spaced 1/2" from inside edge of "U" bracket, as shown in FIGURE E.

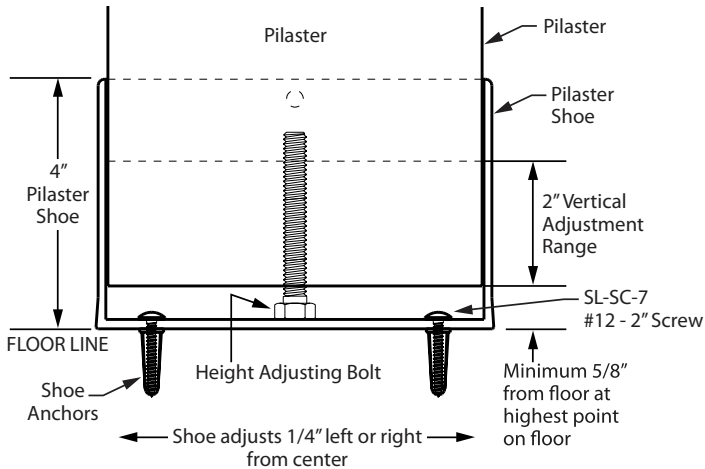


FIGURE C

WALL BRACKETS

1. Using "U" brackets as a template, position brackets centered on the marked vertical centerlines on the walls, with the bottom of the bracket 13" up from the floor. Mark locations of predrilled holes along the centerline for location of wall anchor holes. Pilasters to be wall-anchored use the same brackets as panels.

Note:

Urinal screen wall brackets are installed in a similar manner using "T" brackets. Center the bracket on the centerline marked on wall, 13" up from the floor, and mark offset anchor hole locations using the bracket predrilled holes as a template as shown in FIGURE D.

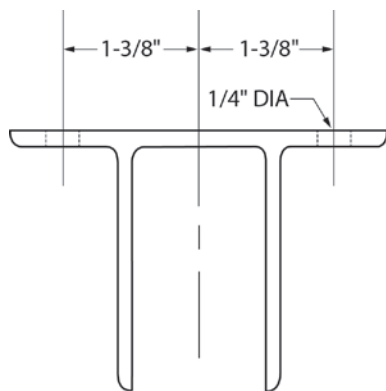


FIGURE D

DRILL FLOOR & WALL ANCHOR HOLES

Drill floor anchor holes

1. Use the 1/4" masonry bit provided to drill holes 1-3/8" deep minimum into floor. Clean out holes, and tap in plastic inserts.

Drill wall anchor holes

2. Use the 1/4" masonry bit provided to drill holes 1-3/8" deep minimum for wall anchors. Clean out holes and tap in plastic inserts. For wall conditions requiring different anchoring methods, fasteners are the responsibility of the installer.

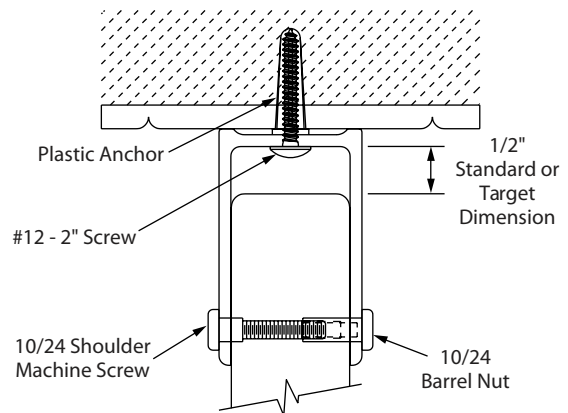


FIGURE E

Important Note:

All layout dimensions for Special-Lite partition systems include a 1/2" gap between panels and pilasters, and wall-mounted anchor brackets, so establishing this spacing is critical. It is recommended that a convenient spacer be fabricated to simplify maintaining this 1/2" spacing.

Panels are two inches taller (58") than wall brackets (56") to allow a nominal 1" projection beyond the bracket at top and bottom. This allows panels to be shifted vertically in brackets to maintain level from panel to panel.

1. Position panel in wall bracket maintaining 1/2" gap previously mentioned and drill top fastener through hole using bracket as a guide.
2. Secure panel with a barrel nut and a 10/24 shoulder machine screw in top hole location and tighten fastener finger tight.
3. Ensure panel is level and drill remaining fastener holes through pre-drilled bracket holes.

Restroom Partition Installation

4. Install remaining fasteners and tighten all fasteners using the T25 driver bit provided.
5. Install all remaining wall-mounted panels in the same manner.

INSTALL PILASTER SHOES AND PILASTERS

Important Note:

Start installation of pilasters at the highest floor anchor location to ensure adequate adjustability to provide a level partition system installation. Determine the amount of drop, from highest to lowest pilaster shoe location. Where drop exceeds 2", shims must be used. Shims are the responsibility of the installer.

1. Install pilaster shoes on floor using #12 - 2" screws, positioned in middle of slots.
2. Adjust height of adjusting bolts to protrude 1/2" from bottom of pilaster at highest shoe location, and more as required for pilasters at lower floor locations.
3. For pilasters connecting to panels, position "U" bracket over panel edge, set pilaster in place in shoe, confirm proper positioning and height adjustment of pilaster, and mark location of "U" bracket on pilaster.
4. Remove pilaster and lay on saw horses. Reposition "U" bracket and mark screw hole positions in pilaster. Drill 1/4" holes through pilaster and through-bolt bracket to pilaster.
5. Reinstall pilaster in shoe and against panel, check for plumb, and drill 1/4" holes half way through panel from each side at predrilled bracket hole locations. Secure with through-bolts.

Important Note:

Pilasters that will have a self-closing hinge installed on them **MUST** be installed plumb in both directions to ensure proper function of the hinge.

6. Continue installing pilasters in this manner working toward low point in floor, adjusting pilasters up to maintain a level installation.

Note:

When joining pilasters or panels with a butt joint, use a "H" bracket as show in FIGURE F.

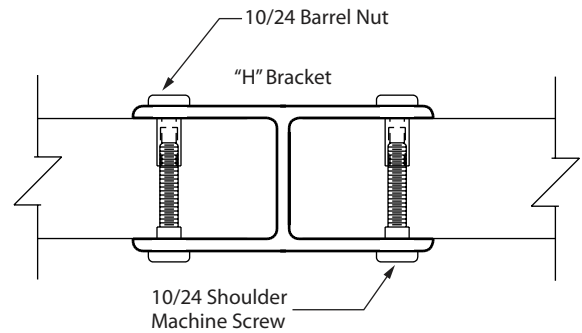


FIGURE F

8. Continue installation of remaining panels and pilasters, maintaining a plumb and level installation.
9. Confirm door openings to layout drawing, adjusting pilaster shoe positioning as necessary.

Important Note:

When installing through-bolts in the middle of panels – hand-tighten the bolts only!

INSTALL HEAD RAILS

1. Put head rail in position on pilasters and mark for length. Remove head rail and cut to length.
2. Mark locations for screw hole 3/8" up from bottom of flange. Use one shoulder machine screw and barrel nut centered on each side of pilasters under 12" in width, and two shoulder machine screws and barrel nuts on each side for pilasters over 12" wide, one inch in from each end.
3. Drill 1/4" clearance holes through head rail flange. Secure head rail with shoulder machine screws and barrel nuts, ensuring all door openings are at correct width.
4. Tap head rail end caps into place where needed.

Important Note:

For alcove units, headrail should be installed from center pilaster to wall, perpendicular to door. Use shoulder machine screws and barrel nuts to attach head rail "F" bracket to perpendicular headrail. To mount head rail to wall use head rail wall bracket.

INSTALL DOOR STOPS

Note:

Door stops are 1/2" shorter than doors. To find door height, either bridge a straight edge across from panel to panel marking height on each side of door opening, or use a square from the side panels to mark door height on pilaster.

Restroom Partition Installation

1. Referencing layout drawing for door swing, position door stop against pilaster with top edge of stop $1/4$ " below top edge of panels. Mark locations of predrilled holes in stop on edge of pilaster, and remove stop. Drill holes with $3/16$ " drill and tap with $12/24$ tap provided. Install door stop with $12/24$ tap provided. Install door stop with $12/24$ flat head machine screws.

INSTALLATION OF DOOR WITH NON SELF CLOSING HINGE

1. Lay hinge on edge of door $1/2$ " from the top and bottom and mark locations for pre-drilled holes in door edge. Drill holes with $3/16$ " drill and tap with $12/24$ tap provided.

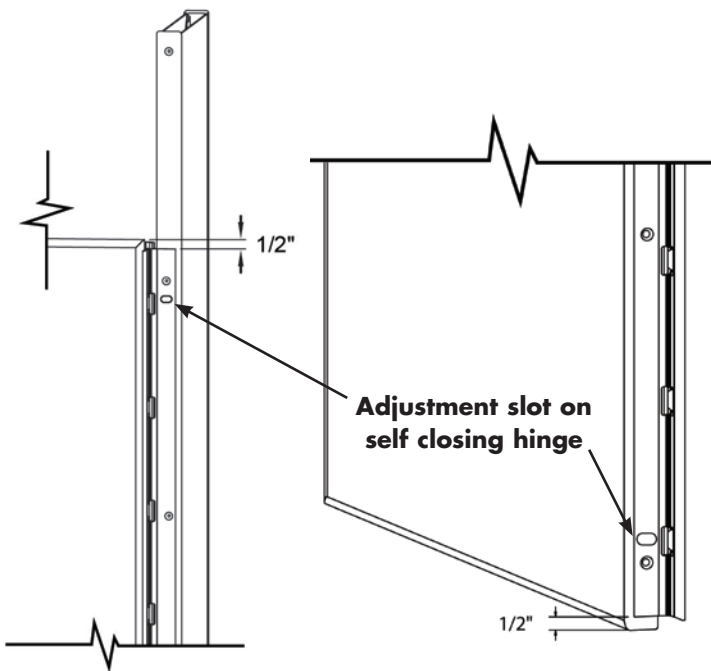


FIGURE G

2. Position hinge on pilaster at the appropriate height and mark locations for pre-drilled holes. Drill holes with $3/16$ " drill and tap with $12/24$ tap provided.
3. Install hinge on door and then on pilaster using $12/24$ flat head machine screws.

INSTALLATION OF DOOR WITH SELF CLOSING HINGE

1. Lay hinge leaf on edge of door $1/2$ " from the bottom of the door. Mark the oval slot near the top and bottom of the hinge. Drill a hole in the center of each slot with a $3/16$ " drill and tap with $12/24$ tap provided.
2. Position hinge on pilaster $1/2$ " below mark for top of doors and mark the oval slot near the top and bottom of the hinge. Drill a hole in the center of each slot with a $3/16$ " drill and tap with $12/24$ tap provided.

3. Install hinge on the door and then on the pilaster using $12/24$ flat head machine screws at the adjustment slots. Do not over tighten screws.
4. Test for proper function of the hinge by opening the door 90 degrees and releasing. The door should swing to the fully closed position. If it does, skip to step 6.
5. If the door does not swing to the fully closed position and eventually stay there, loosen the bottom screw that is holding the hinge to the pilaster. Pull bottom of door away from pilaster so that the screw is at the end of the adjustment slot and retighten screw. Test door again for proper functions.
6. Check to make sure that the door edge is making full contact with the door stop. If not, loosen one of the screws holding the hinge to the door and adjust the door position so that it makes full contact with the door stop. Retighten screws.
7. Drill and tap remaining holes in the door and pilaster and install screws.

Important Note:

Pilasters that will have a self-closing hinge installed on them **MUST** be installed plumb in both directions to ensure proper function of the hinge.

HARDWARE INSTALLATION - INSTALL LATCHES AND LATCH STRIKES

INSTALL LATCH AND STRIKE FOR IN-SWING DOORS

1. Mark horizontal line at the vertical centerline of the door at the latch location. Project that line across to the accompanying pilaster. Mark a vertical line $1-7/16$ " from the edge of the door for the latch centerline as shown in FIGURE H. Locate latch on lines and mark mounting hole locations on door. Drill $1/4$ " holes through door. Install latch with $10/24$ shoulder screws and barrel nuts, oriented with bevel on latch bolt facing upward.

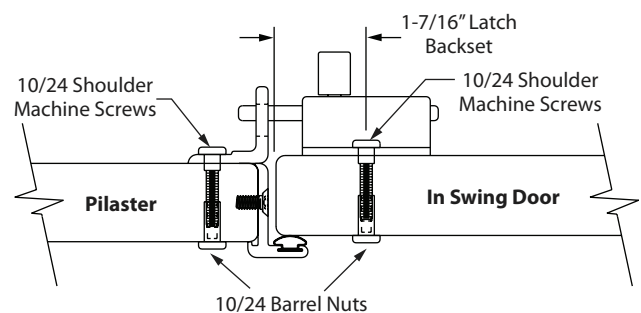


FIGURE H

Restroom Partition Installation

- Center the strike vertically on the projected pilaster line. Note that strike has a groove that aligns with the aluminum edge of the pilaster, providing proper back-set. Mark holes on pilaster, and drill 1/4" holes through pilaster and install strike with 10/24 shoulder screws and barrel nuts.

- NOTE!** Use door stop with center cutout **FIGURE J** which allows the strike to position properly. The cutout also allows for external access for opening the latch in emergencies. When outswing doors are required on non-ADA stalls, a strike will not be sent.

INSTALL LATCH FOR OUT-SWING DOORS

- Repeat steps 1 and 2 above, but use 10/24 x 1-3/4" machine screw to secure door pull to opposite side of latch as shown in **FIGURE I**.

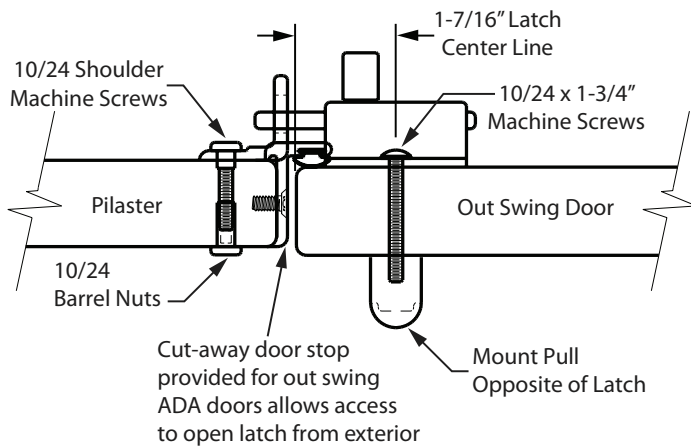


FIGURE I

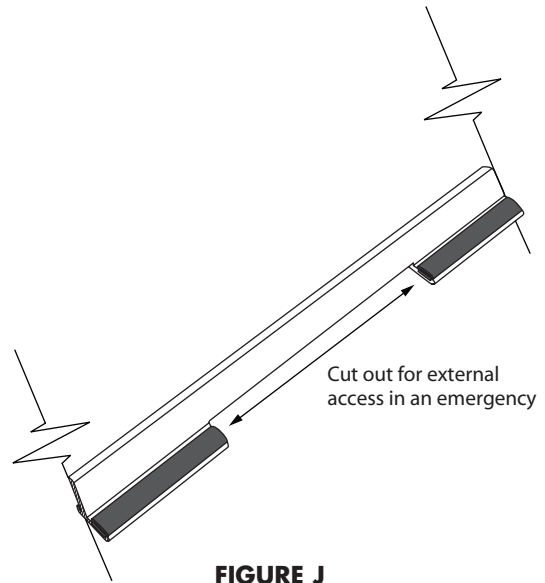


FIGURE J

ACCESSORIES INSTALLATION

Hook bumpers, grab rails and dispensers must be installed with through-bolts. It is recommended that finish washers be used in screw locations more than 1-1/2" from the edge of a panel or door to provide protection against screw head pull-through.

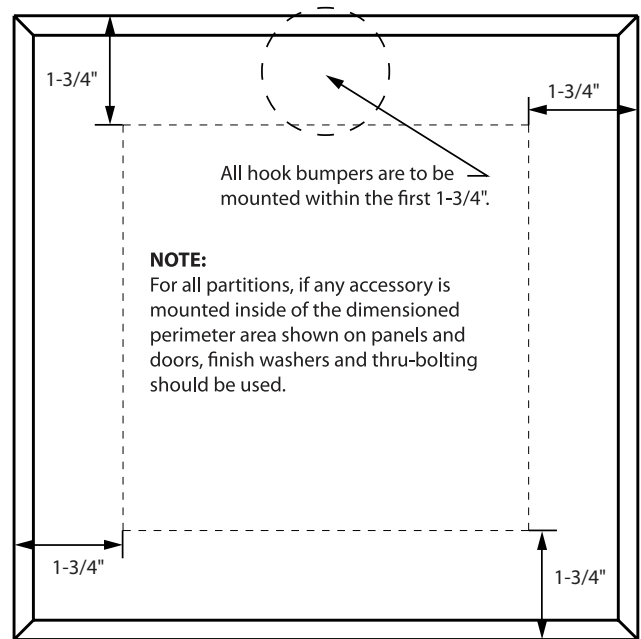


FIGURE K



RESTROOM PARTITION PANEL COMPOSITES

