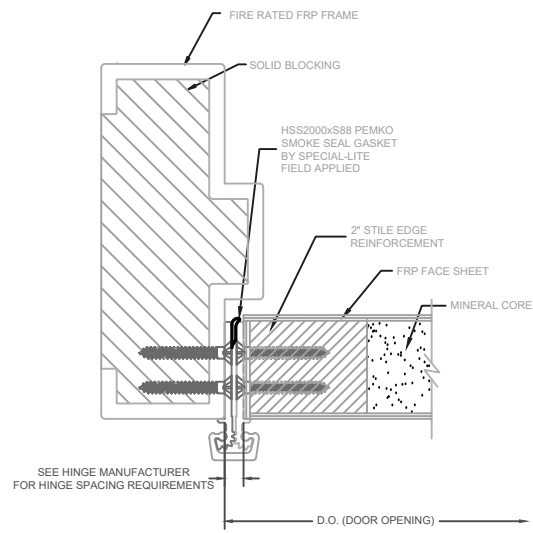
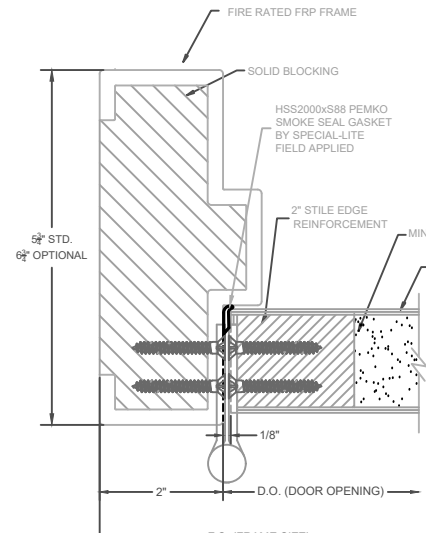


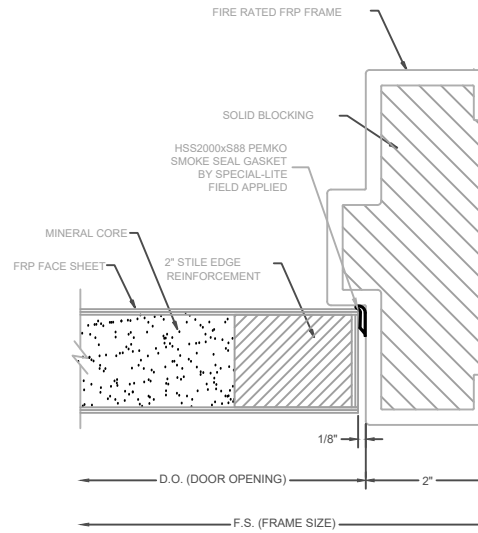
***All hardware preps and modifications to doors must be done in accordance with NFPA 80-16**



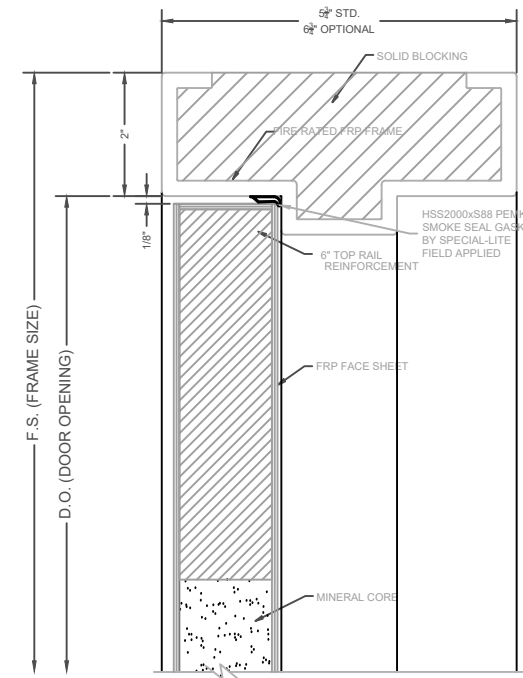
CONTINUOUS HINGE JAMB DETAIL



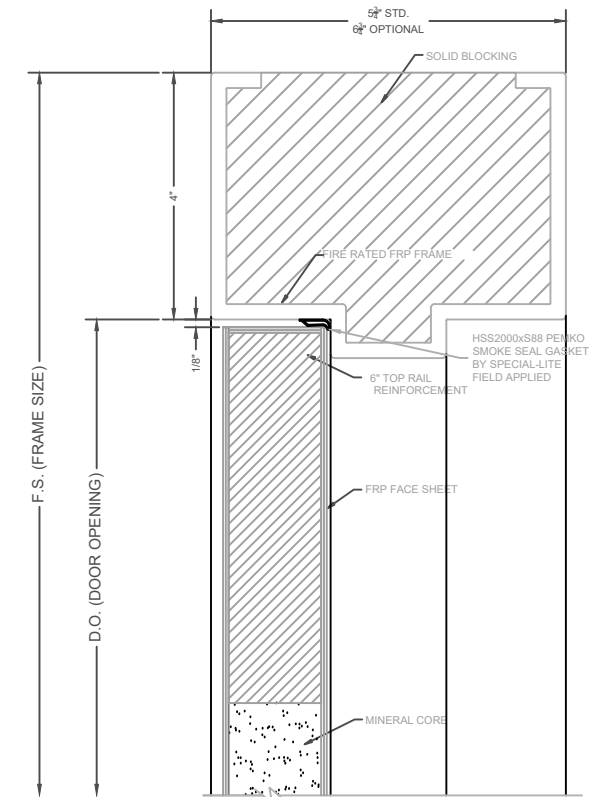
BUTT HINGE DETAIL



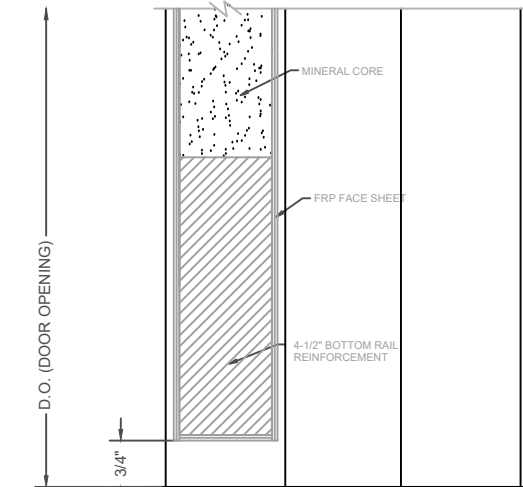
LOCK JAMB DETAIL



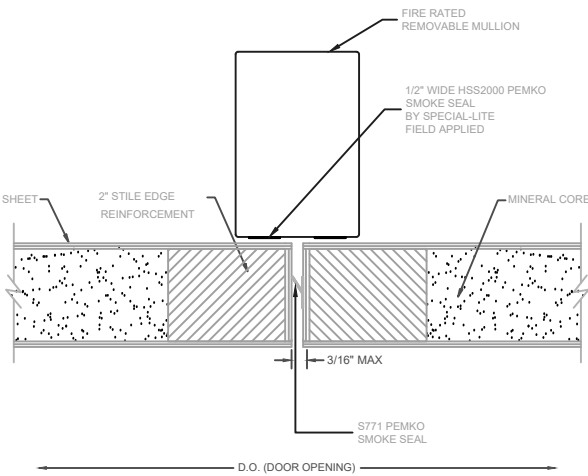
DOOR HEAD DETAIL



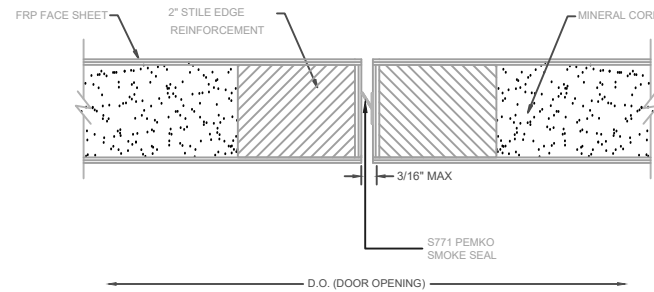
DOOR HEAD DETAIL
OPTIONAL 4" HEAD



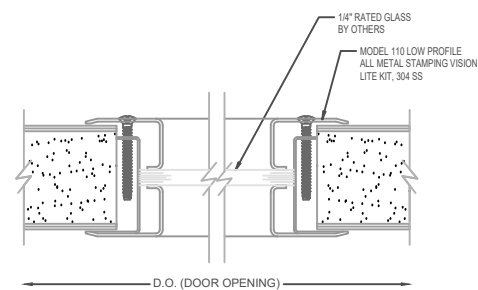
SILL DETAIL



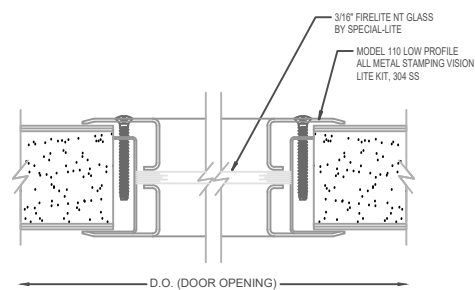
MEETING DETAIL



MEETING STILE EDGES OF PAIR



VISION LITE KIT DETAIL 1/4" GLASS

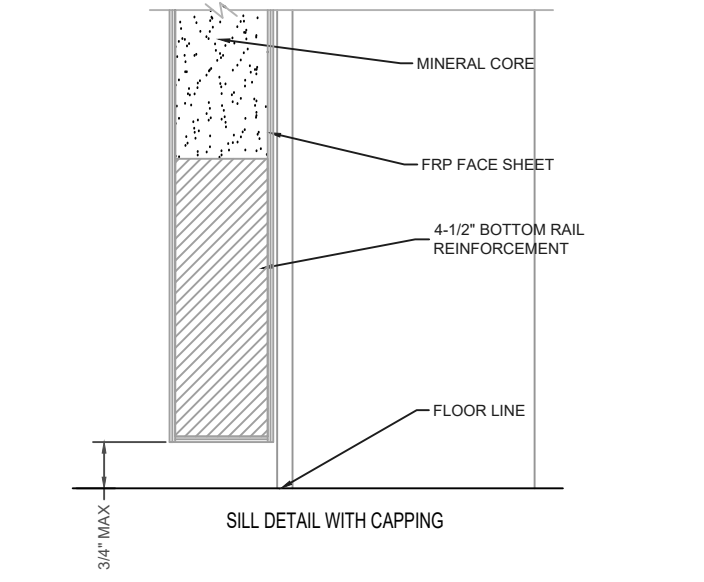
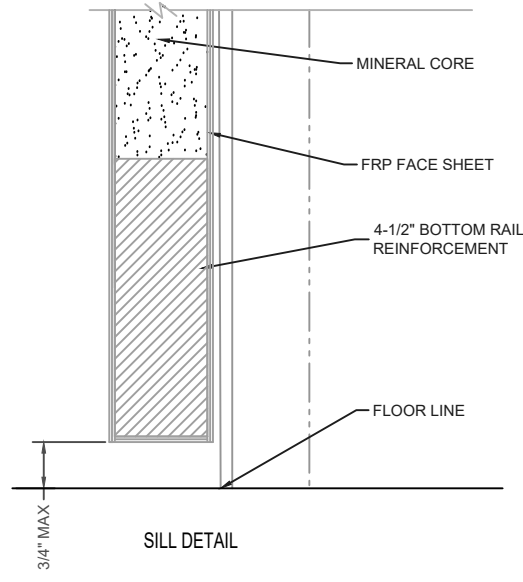
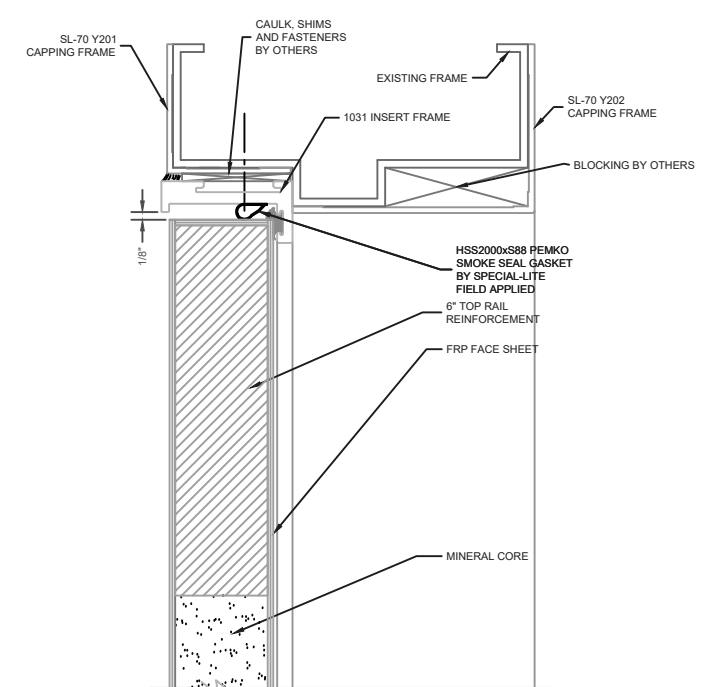
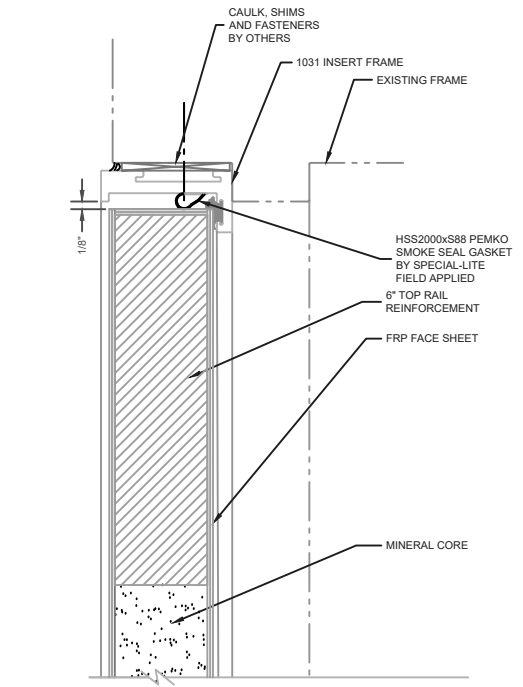
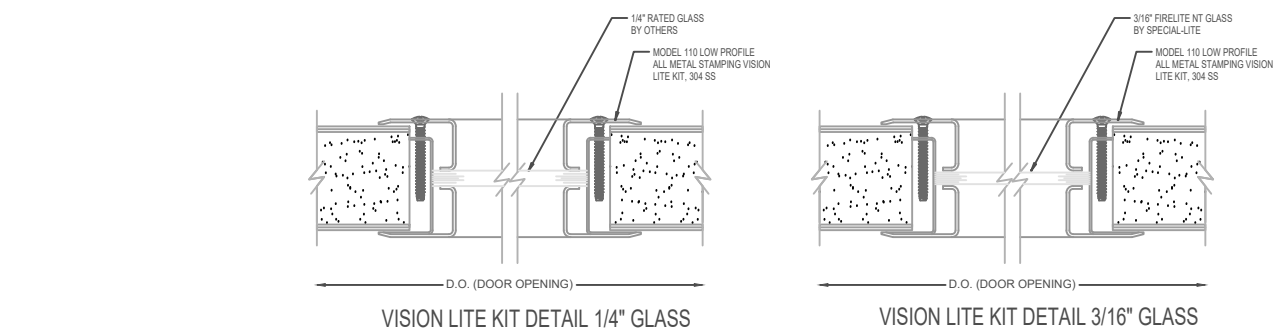
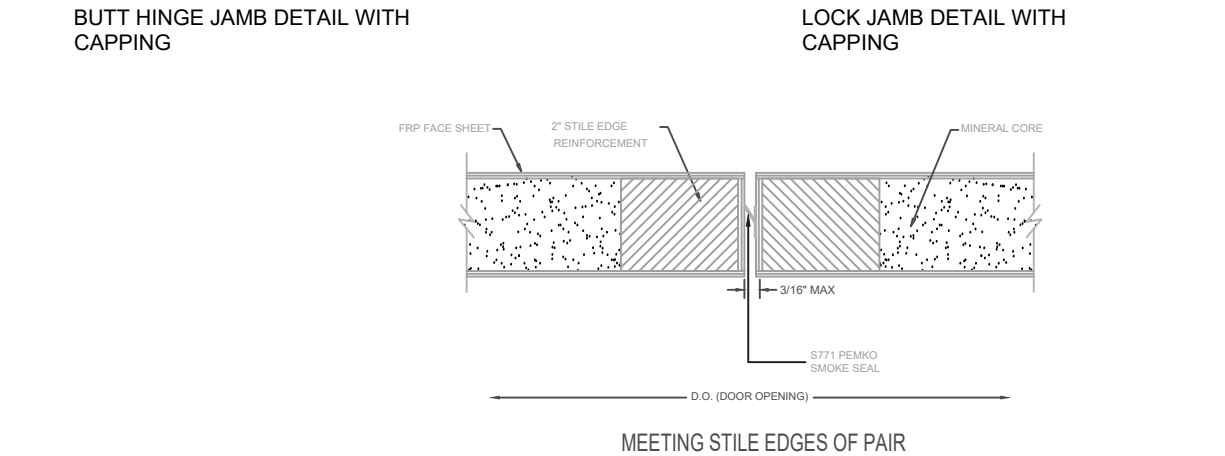
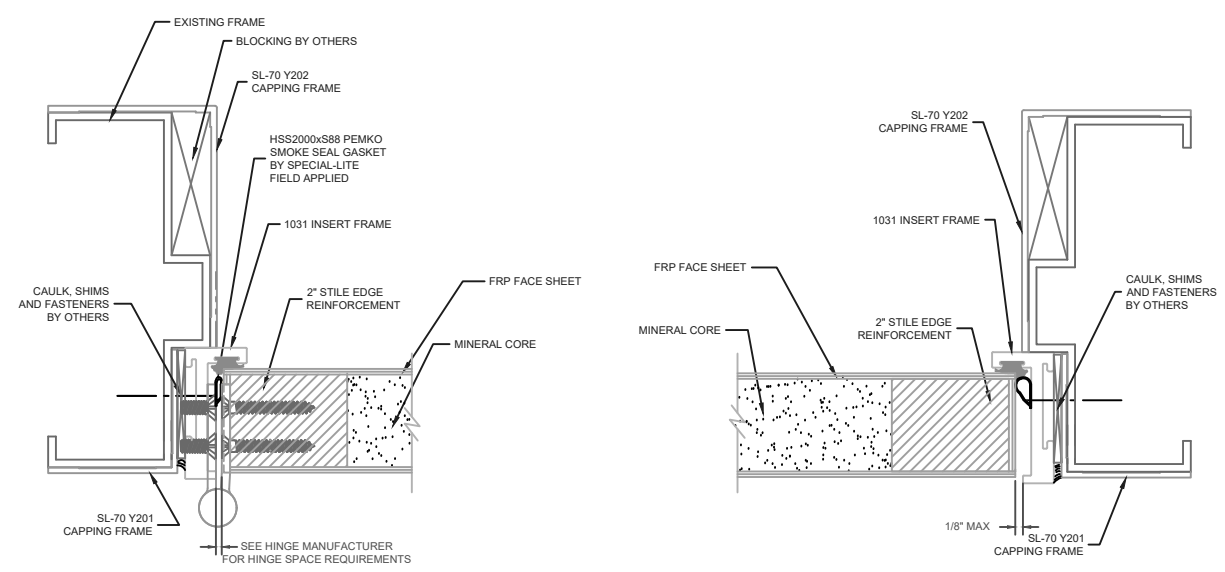
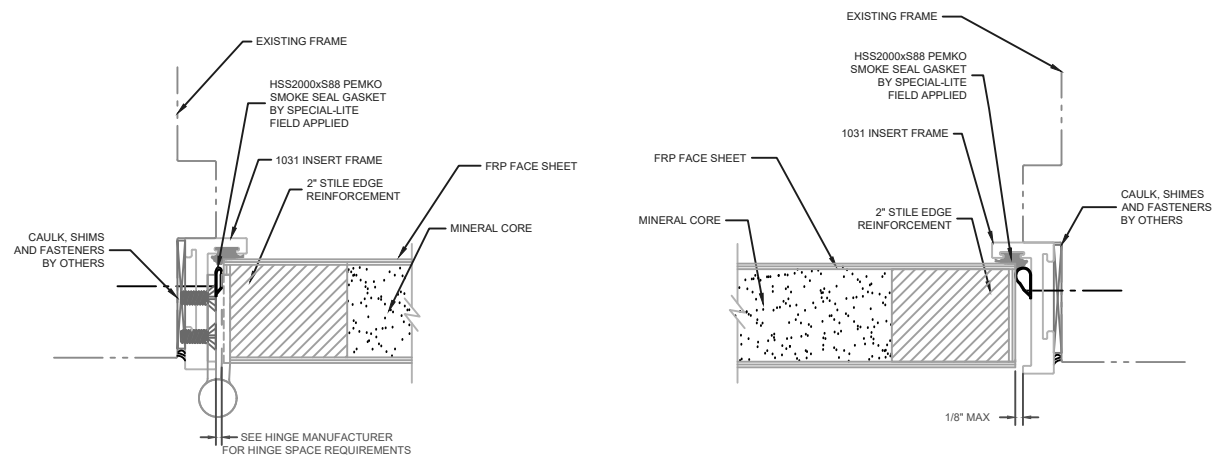


VISION LITE KIT DETAIL 3/16" GLASS

AF-200FR	SMOOTH FRP FACE SHEET
AF-217FR	PEBBLE GRAIN FRP FACE SHEET
AF-219FR	RUSTIC WOOD GRAIN FRP FACE SHEET
AF-219-1FR	CONTEMPORARY WOOD GRAIN FRP FACE SHEET
AF-220FR	SANDSTONE FRP FACE SHEET

		SPECIAL-LITE, INC. 860 South Williams Street P.O. BOX 6 DECATUR, MI 48045 WWW.SPECIAL-LITE.COM	
		DRAWN BY: JMM REVISION:	AF-FR FIRE RATED FIBERGLASS DOOR WITH AF-FR FRAME
H 10/18/21 I J 11/2/21 K	DATE: 5/30/2017	SHEET NO. 1 OF 3	FILE: AF-FR DETAILS

*All hardware preps and modifications to doors must be done in accordance with NFPA 80-16

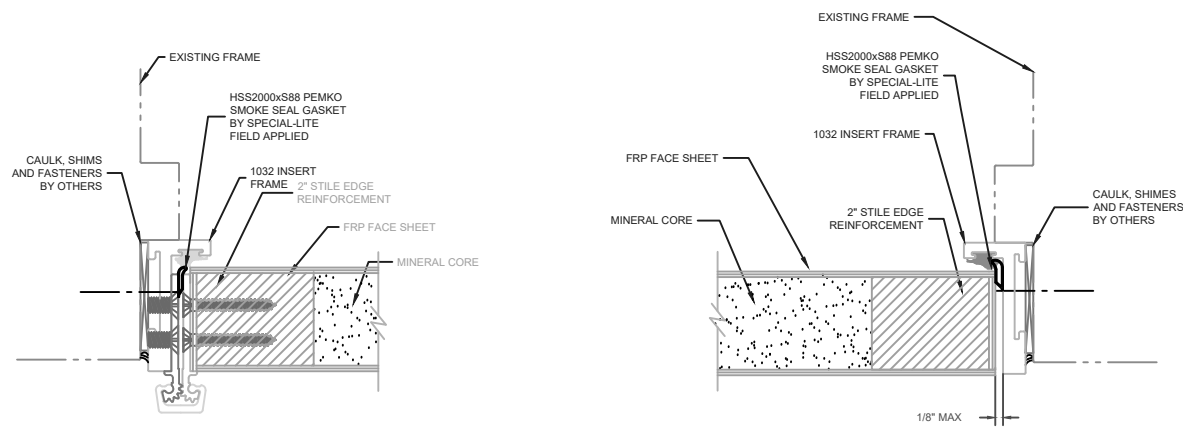


AF-200FR	SMOOTH FRP FACE SHEET
AF-217FR	PEBBLE GRAIN FRP FACE SHEET
AF-219FR	RUSTIC WOOD GRAIN FRP FACE SHEET
AF-219-1FR	CONTEMPORARY WOOD GRAIN FRP FACE SHEET
AF-220FR	SANDSTONE FRP FACE SHEET

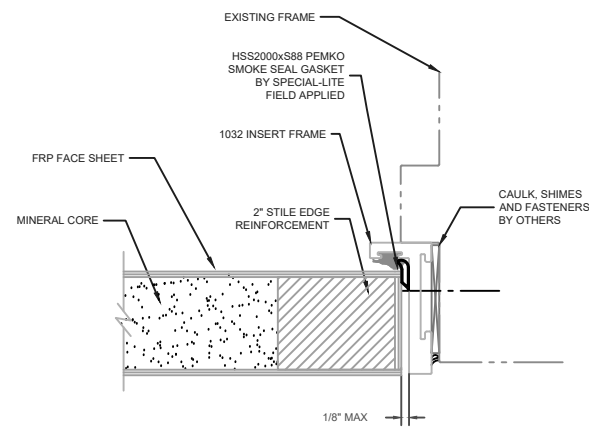
SPECIAL-LITE, INC.
860 South Williams Street
P.O. BOX 6
DECATUR, MI 48045
WWW.SPECIAL-LITE.COM

DRAWN BY: JMM		AF-FR FIRE RATED FIBERGLASS DOOR WITH 1031 INSERT FRAME	
REVISION		WITHOUT & WITH CAPPING FRAME	
A	10/18/21	B	11/2/21
C		D	
DATE: 10/18/2021		SHEET NO. 2 OF 3	
FILE: SL-FR DETAILS			

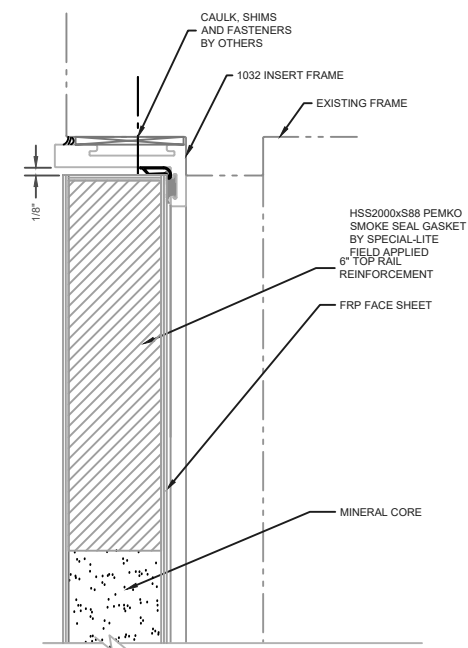
*All hardware preps and modifications to doors must be done in accordance with NFPA 80-16



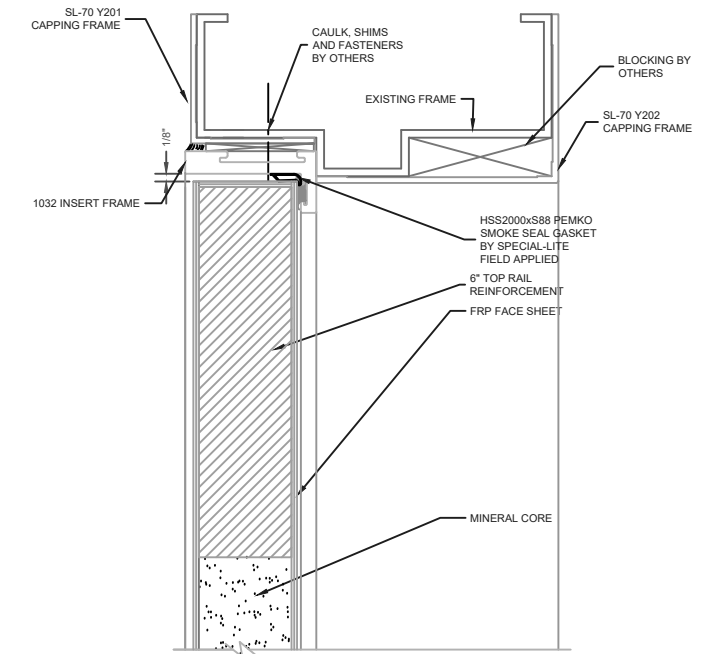
CONTINUOUS HINGE JAMB DETAIL



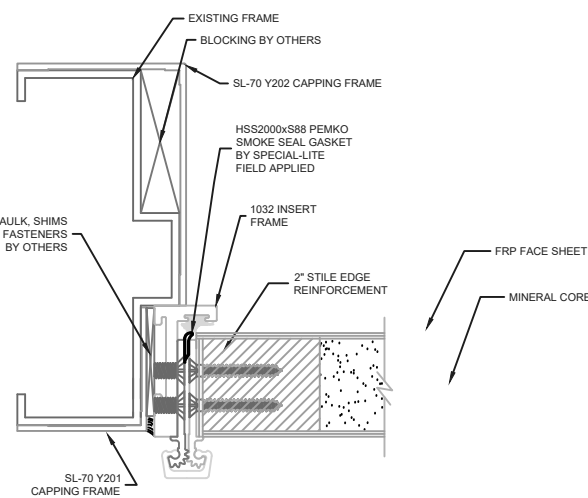
LOCK JAMB DETAIL



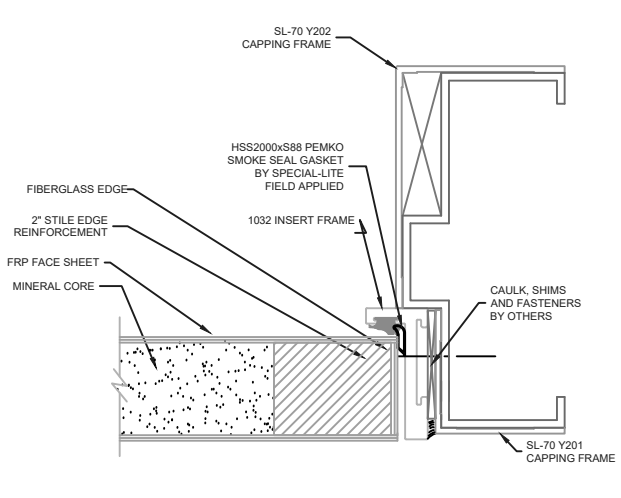
HEAD DETAIL



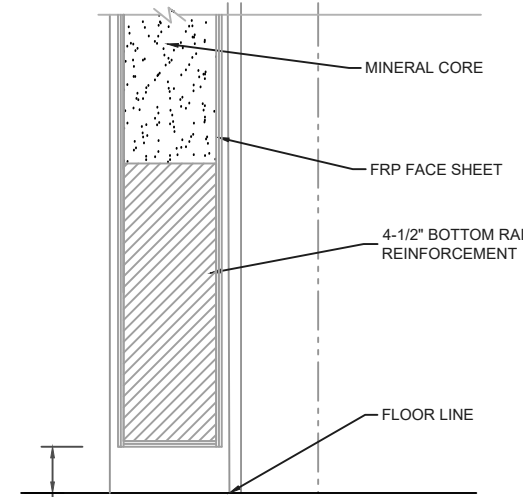
HEAD DETAIL WITH CAPPING



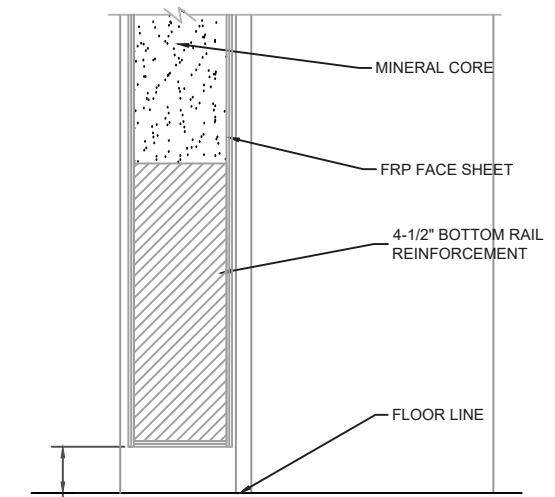
CONTINUOUS HINGE JAMB DETAIL WITH CAPPING



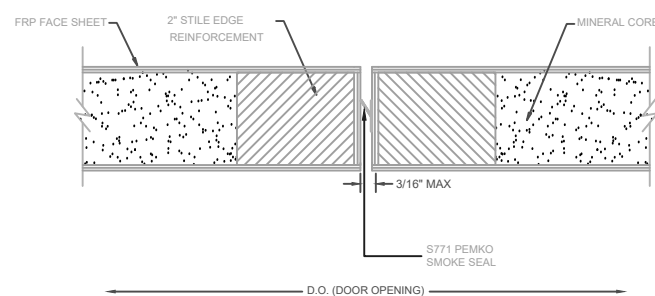
LOCK JAMB DETAIL WITH CAPPING



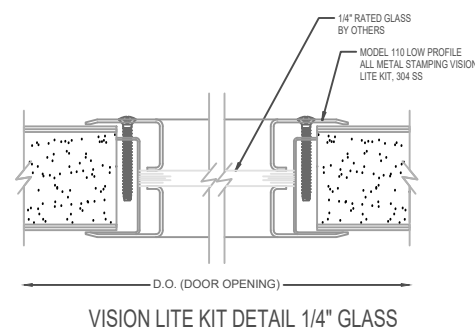
SILL DETAIL



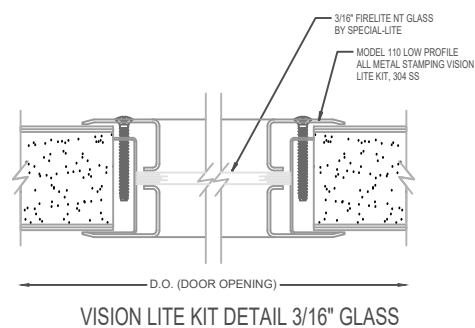
SILL DETAIL WITH CAPPING



MEETING STILE EDGES OF PAIR




VISION LITE KIT DETAIL 1/4" GLASS



VISION LITE KIT DETAIL 3/16" GLASS

AF-200FR	SMOOTH FRP FACE SHEET
AF-217FR	PEBBLE GRAIN FRP FACE SHEET
AF-219FR	RUSTIC WOOD GRAIN FRP FACE SHEET
AF-219-1FR	CONTEMPORARY WOOD GRAIN FRP FACE SHEET
AF-220FR	SANDSTONE FRP FACE SHEET



Special-Lite

SPECIAL-LITE, INC.
 860 South Williams Street
 P.O. BOX 6
 DECATUR, MI 48045
WWW.SPECIAL-LITE.COM

DRAWN BY: JMM		AF-FR FIRE RATED FIBERGLASS DOOR WITH 1032 INSERT FRAME	
REVISION		WITHOUT & WITH CAPPING FRAME	
A	10/18/21	B	11/2/21
C		D	
DATE: 10/18/2021		SHEET NO. 3 OF 3	
FILE: SL-FR DETAILS			