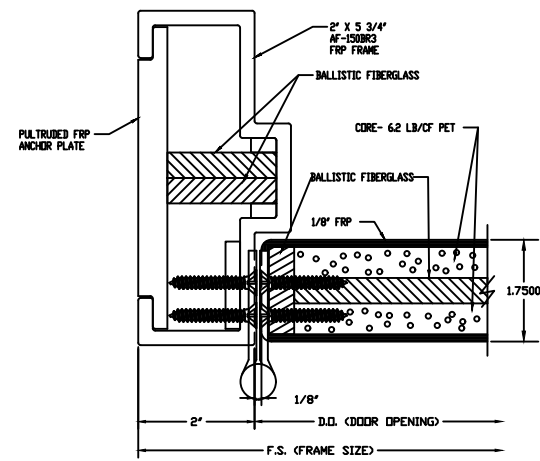
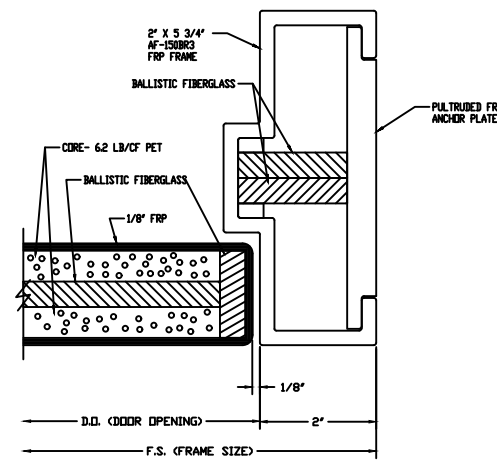


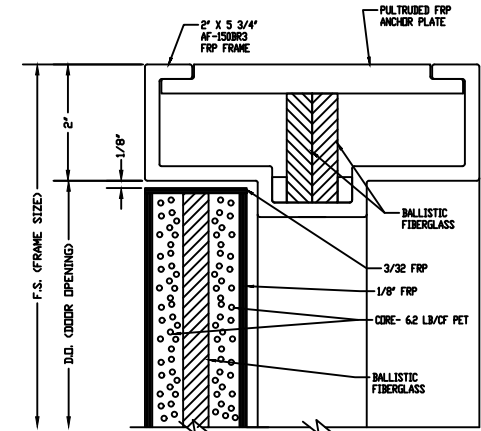
CONTINUOUS HINGE JAMB DETAIL



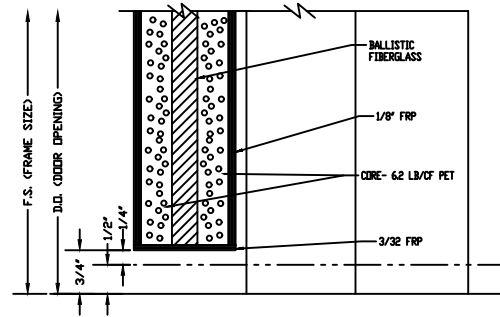
BUTT HINGE JAMB DETAIL



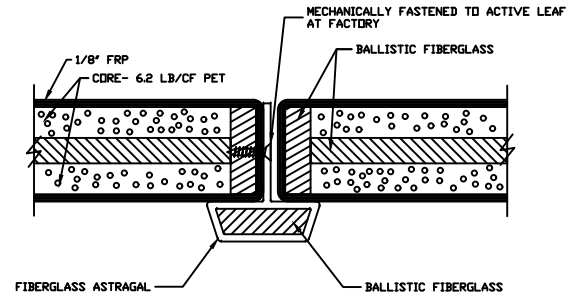
LOCK JAMB DETAIL



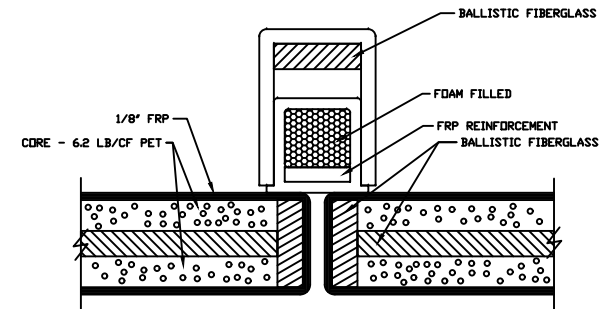
HEAD DETAIL



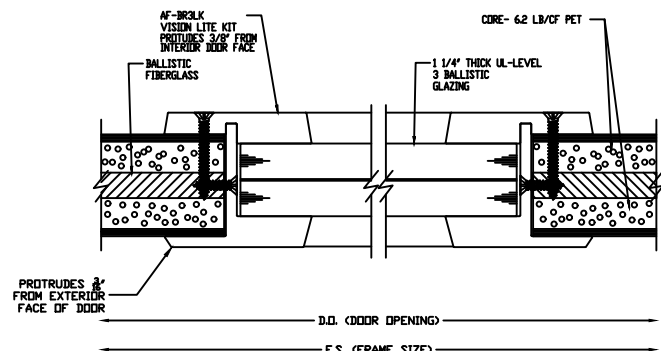
SILL DETAIL



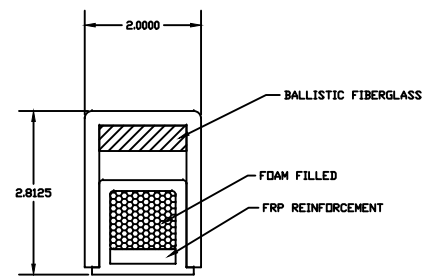
MEETING STILES WITH ASTRAGAL



MEETING STILES WITH BALLISTIC MULLION



VISION-LITE DETAIL



BALLISTIC MULLION DETAIL

		SPECIAL-LITE, INC. 860 South Williams Street P.O. BOX 6 DECATUR, MI 48045 WWW.SPECIAL-LITE.COM	
		DRAWN BY: JMM REVISION: A 5/4/17 C 6/5/18 B 5/30/17 D	AF-100 BR3 FLUSH DOOR DETAILS DATE: 6/5/2018 SHEET NO. 1 OF 1 FILE: AF100BR3.dwg