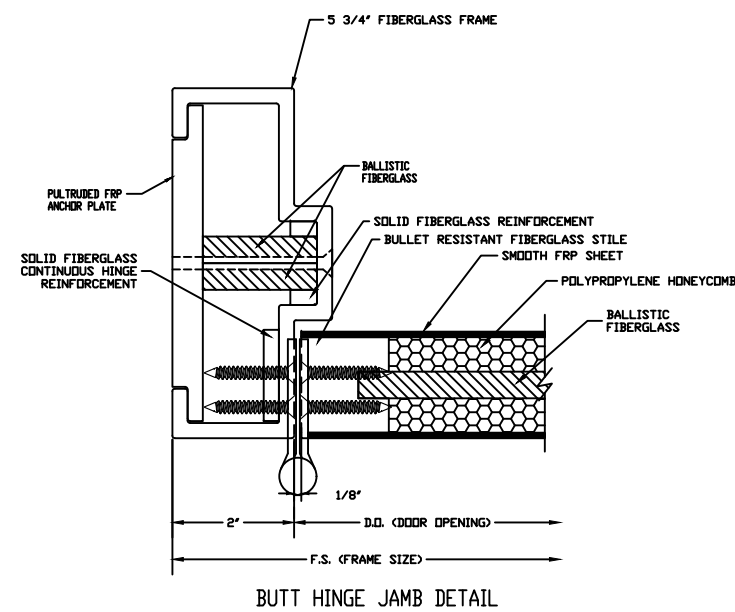
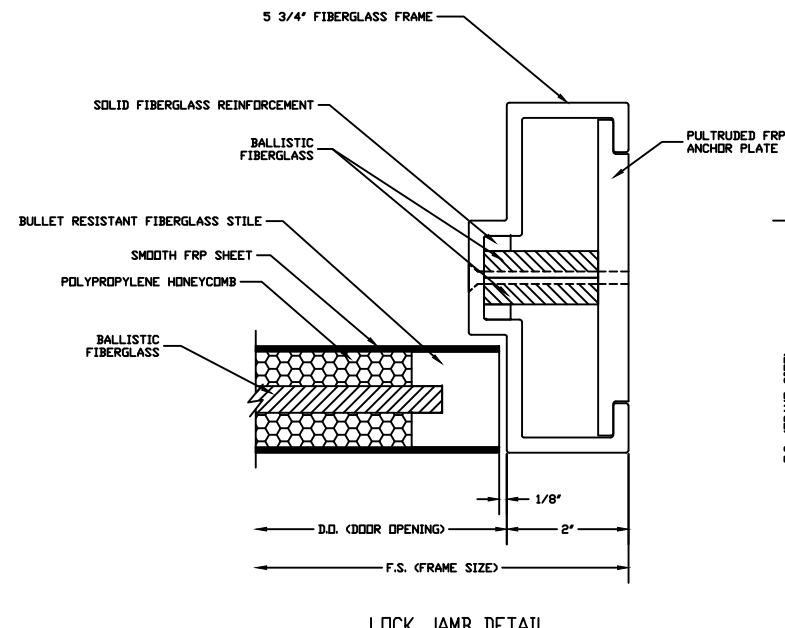


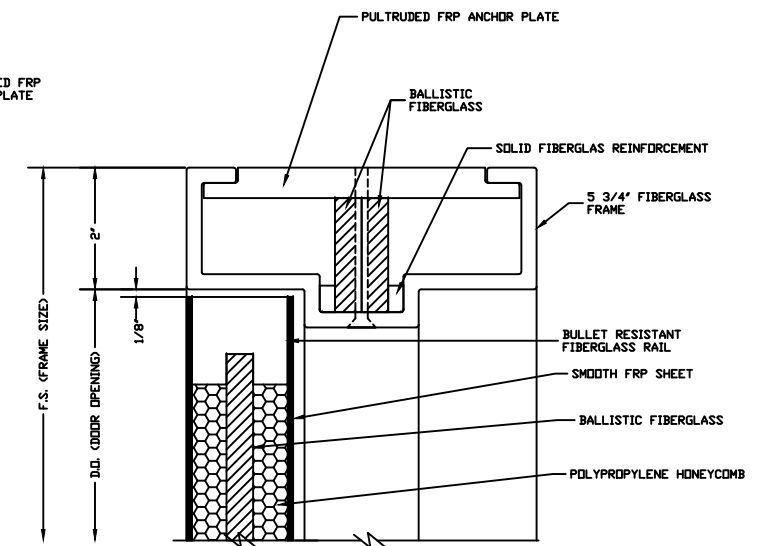
CONTINUOUS HINGE JAMB DETAIL



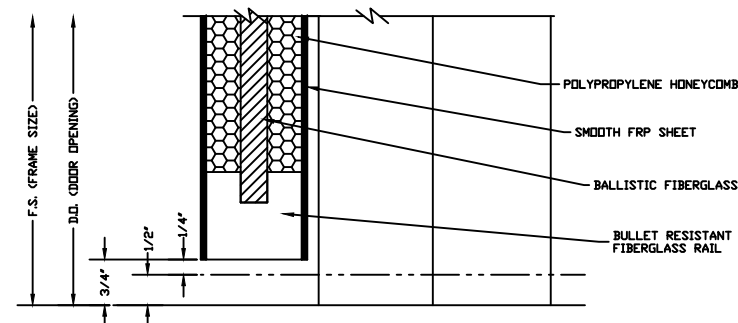
BUTT HINGE JAMB DETAIL



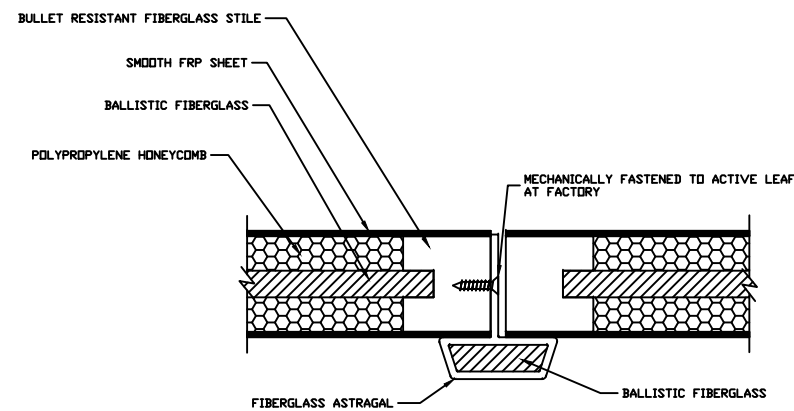
LOCK JAMB DETAIL



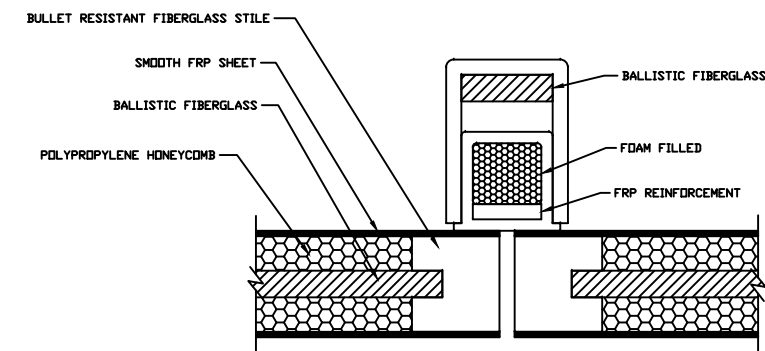
HEAD DETAIL



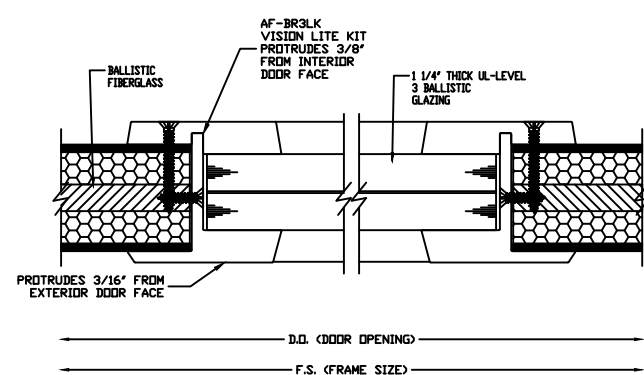
SILL DETAIL



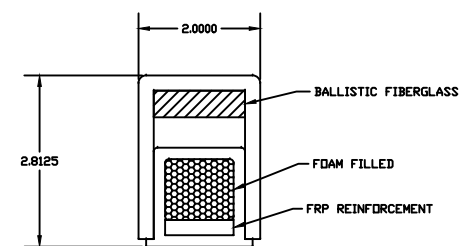
MEETING STILES WITH ASTRAGAL



MEETING STILES WITH BALLISTIC MULLION



VISION-LITE DETAIL



BALLISTIC MULLION DETAIL

		<b>SPECIAL-LITE, INC.</b> 860 South Williams Street P.O. BOX 6 DECATUR, MI 49045 WWW.SPECIAL-LITE.COM	
		DRAWN BY: JMM REVISION	<b>AF-200 BR3 FLUSH DOOR DETAILS</b>
A 5/4/17 B 5/30/17	C 6/5/18 D 2/14/19	SHEET NO. 1 OF 1	FILE: AF200BR3.dwg