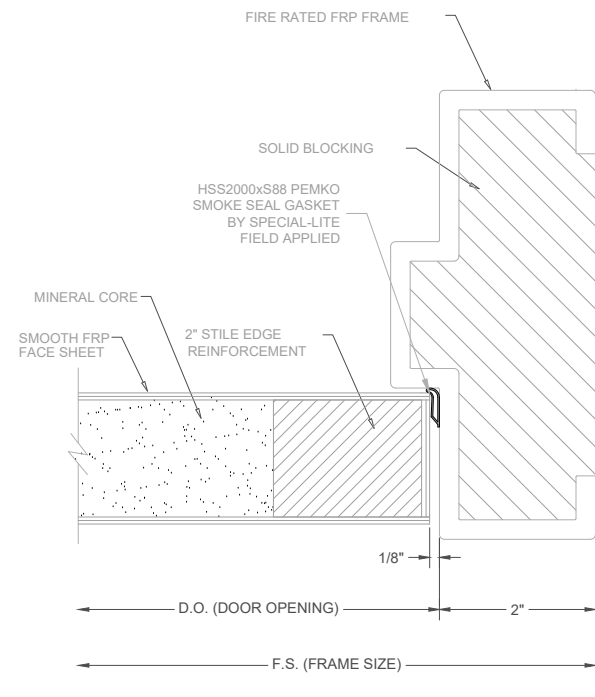
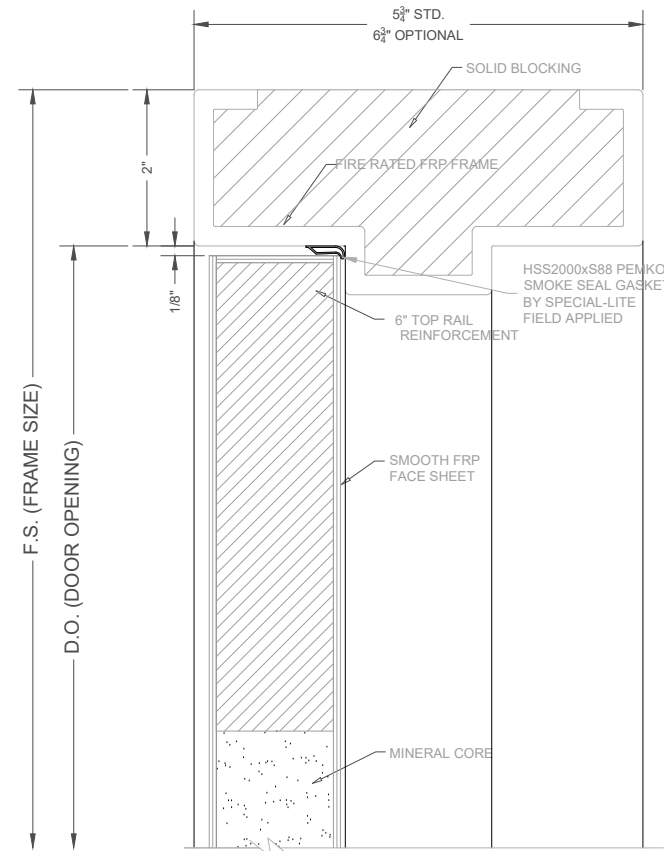


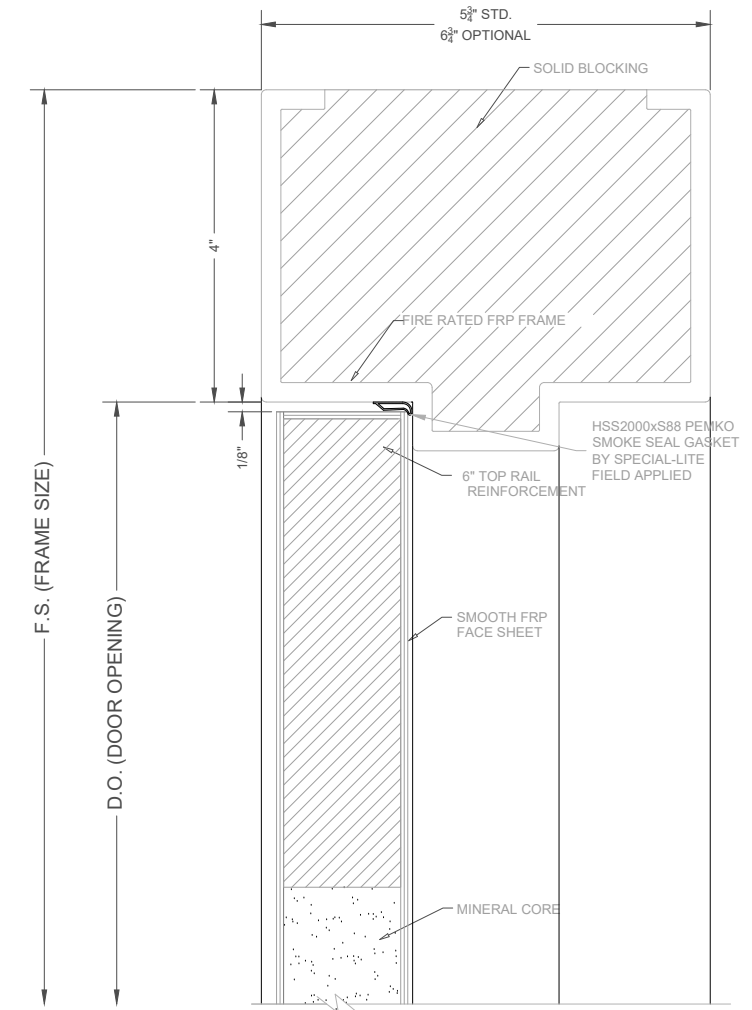
BUTT HINGE DETAIL



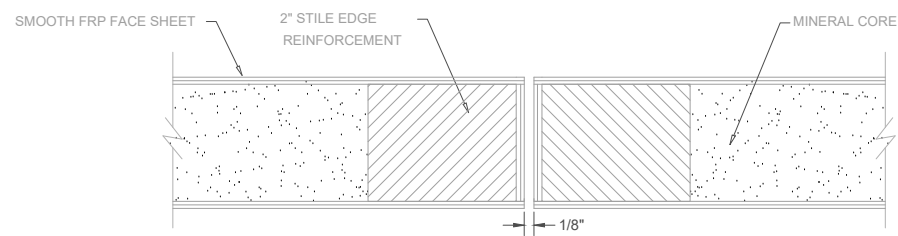
LOCK JAMB DETAIL



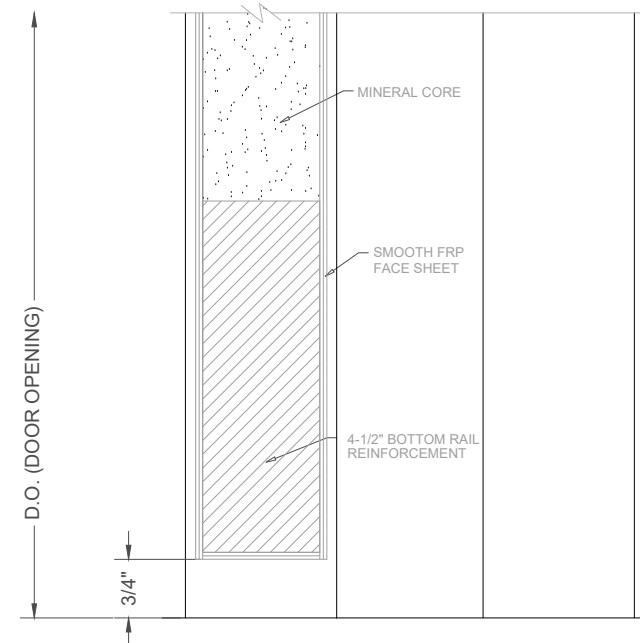
DOOR HEAD DETAIL



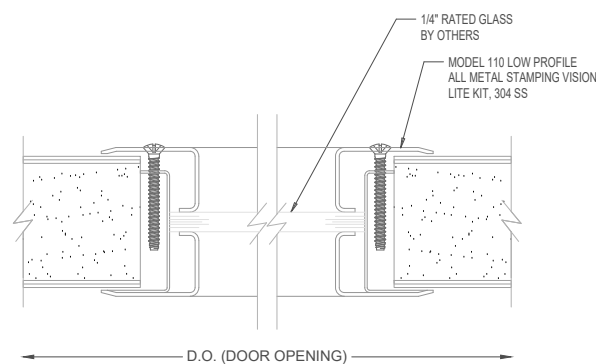
DOOR HEAD DETAIL
OPTIONAL 4" HEAD



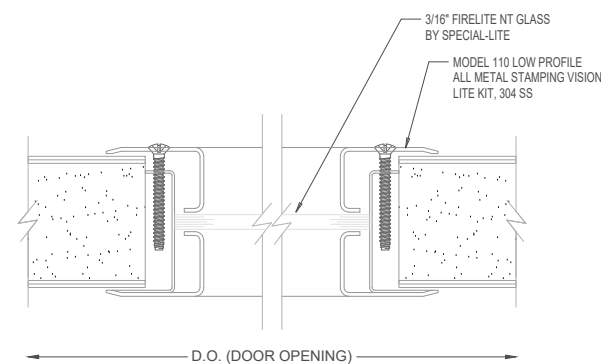
MEETING STILE EDGES OF PAIR



SILL DETAIL



VISION LITE KIT DETAIL 1/4" GLASS



VISION LITE KIT DETAIL 3/16" GLASS

		SPECIAL-LITE, INC. 860 South Williams Street P.O. BOX 6 DECATUR, MI 49045 WWW.SPECIAL-LITE.COM	
		DRAWN BY: JMM REVISION: AF-200FR SMOOTH ALL-FIBERGLASS DOOR	DATE: 5/30/2017 SHEET NO. 1 OF 1
A 4/27/17 C 1/25/19 B 5/30/17 D 6/25/20	FILE: FR20_45_60_300DETAILS.dwg		