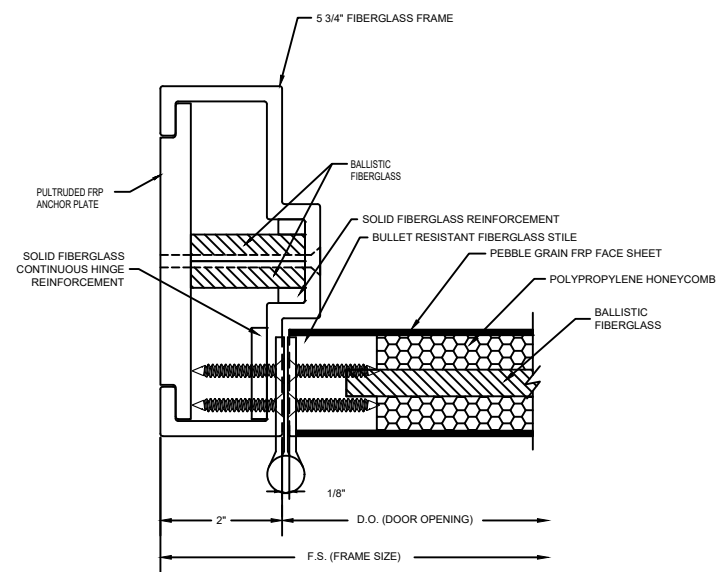
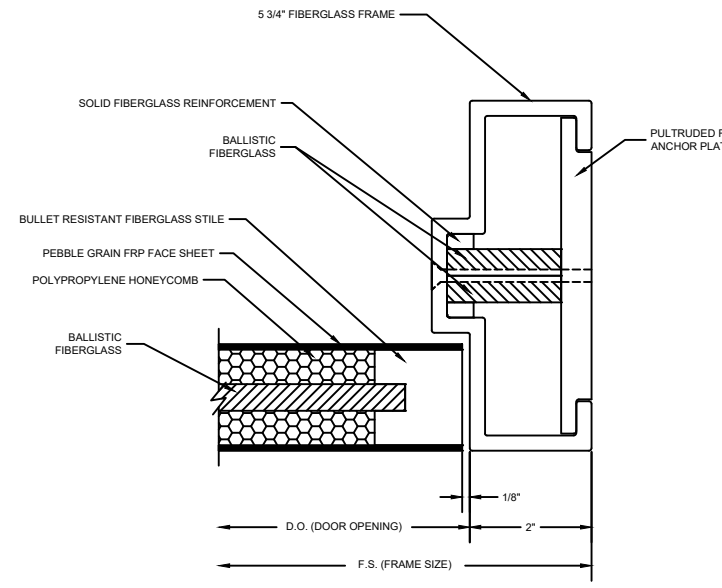


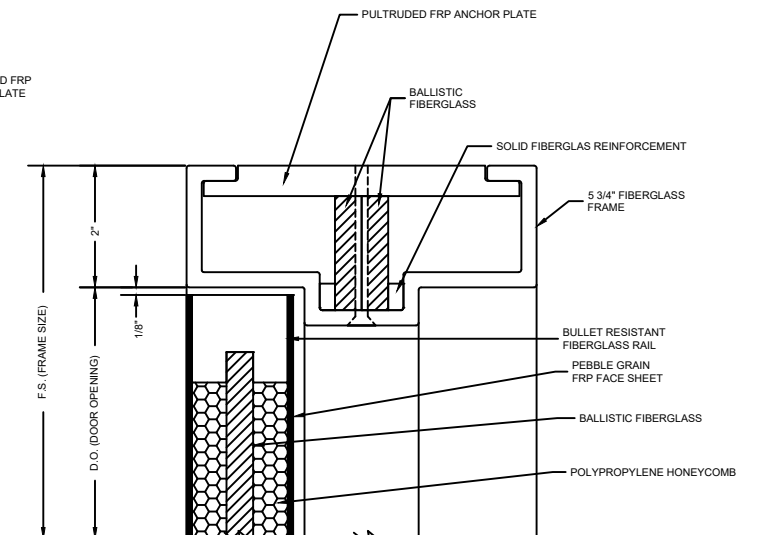
CONTINUOUS HINGE JAMB DETAIL



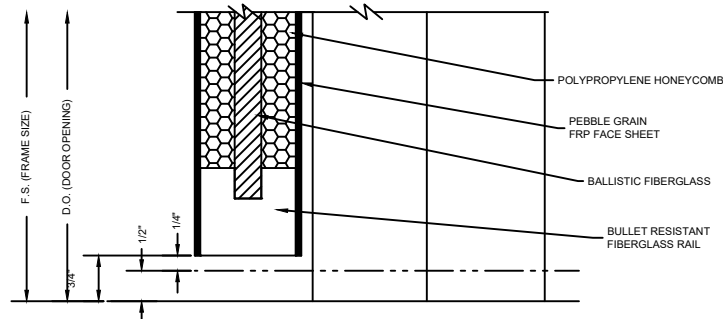
BUTT HINGE JAMB DETAIL



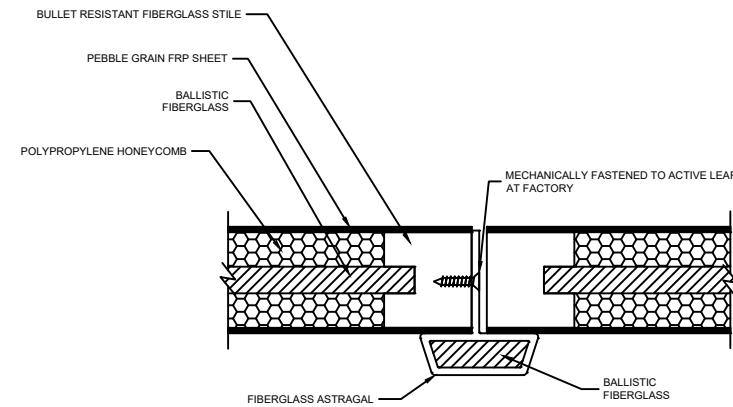
LOCK JAMB DETAIL



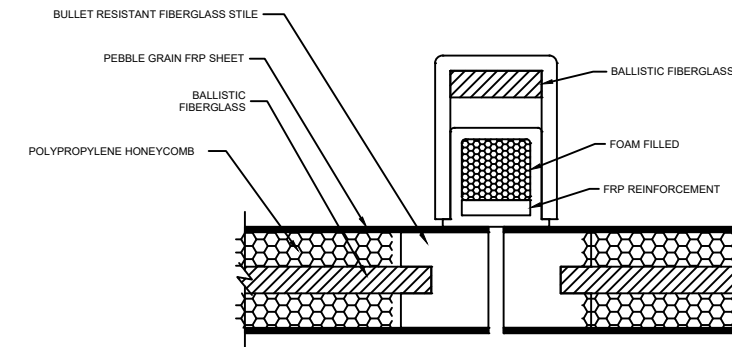
HEAD DETAIL



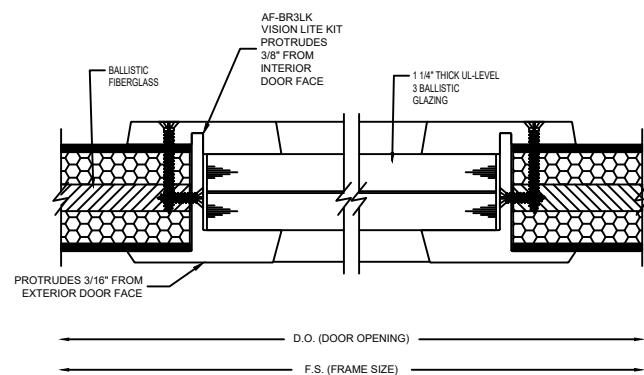
SILL DETAIL



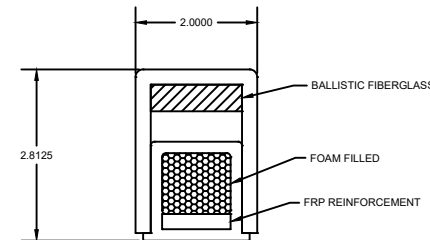
MEETING STILES WITH ASTRAGAL



MEETING STILES WITH BALLISTIC MULLION



VISION-LITE DETAIL



BALLISTIC MULLION DETAIL

		SPECIAL-LITE, INC. 860 South Williams Street P.O. BOX 6 DECATUR, MI 49045 WWW.SPECIAL-LITE.COM	
		DRAWN BY: JMM REVISION: A 5/4/17 C 6/5/18 B 5/30/17 D 2/14/19 DATE: 6/5/2018 SHEET NO. 1 OF 1 FILE: AF200BR3.dwg	
		AF-217 BR3 FLUSH DOOR DETAILS	