

AF Design Standard

Introduction

Our AF fiberglass products tend to be used around common sizes and configurations. Meanwhile, we sometimes receive requests for estimates, or even have orders placed, for custom sizes and configurations.

We developed this AF Design Standard to convey to you the standard sizes and configurations. Any request that falls outside of these parameters enters a Customization Review process. This review can take up to 10 business days to determine manufacturability, costs, and the time to produce.

The AF Design Standard is applicable to AF series doors and frames.

However, it does not apply to ballistic-rated, hurricane-rated, or fire-rated fiberglass products.

Applicable Products

Doors:

- AF-100
- AF-200
- AF-217
- AF-219-1
- AF-220

Frames:

- AF-150
- AF-250
- AF Adjustable Framing

Miscellaneous:

- Fiberglass Vision Kits
- Fiberglass Louvers



AF-100 Door

Max size per single door: 48" x 96" (4' x 8')

Standard net door widths sized for butt hinges:

| Actual | Nominal |
|---------|---------|
| 31-3/4" | 32" |
| 35-3/4" | 36" |
| 41-3/4" | 42" |
| 47-3/4" | 48" |

Standard net door width sized for continuous hinge:

| Actual | Nominal |
|---------|---------|
| 35-1/2" | 36" |

Bottom Door Rail:

- Standard mortise (can trim).
- Optional flush bottom (cannot trim)

AF-200, AF-217, AF-220 Doors

Max size per single door: 48" x 96" (4' x 8').
Pairs may be unequal size if within max door size.

Bottom Door Rail:

- Standard flush (cannot trim).
- Optional mortised bottom (can trim)

Hinge Stiles:

- Square for butt hinges
- Beveled for continuous hinge

Lock Stiles:

- Standard Beveled Edge Lock Stile
- Optional Square Edge Lock Stile

AF-219-1 Door

Max size per single door: 42" x 96" (3'6" x 8')
Pairs may be unequal size if within max door size.

Bottom Door Rail:

- Standard flush (cannot trim).
- Optional mortised bottom (can trim)

Hinge Stiles:

- Square for butt hinges
- Beveled for continuous hinge

Lock Stiles:

- Standard Beveled Edge Lock Stile
- Optional Square Edge Lock Stile

Fiberglass Vision Kit

One piece in AF-100; two piece in AF-200, AF-217, AF-220, and AF-219-1

Standard Daylight Opening Sizes:

| |
|--|
| 10" x 10" |
| 12" x 12 |
| 4" x 25" |
| 6" x 32" |
| 21-1/2" x 24" |
| 21-1/2" x 32" |
| 17-1/2" x 63" |
| Based on 3'x7' door. |
| Consult factory for other size configurations. |

Fiberglass Louver

Standard Open Air Sizes:

| |
|---|
| 12" x 12-1/4" |
| 18" x 18-3/8" |
| 21-1/2" x 18-3/8" |
| 21-1/2" x 24-1/2" |
| Consult factory for other size configurations |

AF-250 Frame (3/16" wall thickness)

- Standard depth: 5-3/4"
- Frame head standard is 2", optional 4"
- Immediate (perimeter) door frame only
- KD (Knock Down) only
- No curved framing
- Drywall Anchorage: Standard Jamb Anchor Tuck Condition or KD Wrap Condition; Optional Punch & Dimple Tuck, FRP Frame & Metal Studs or Wood Studs
- Masonry Anchorage: Existing Concrete or Block, Sill Anchor, Concealed Existing Masonry Anchor, New Concrete Block

AF-150 Frame (1/4" wall thickness)

- Standard depth: See below for 4 choices
- Frame header standard is 2" optional 4"
- KD or Factory assembled
- Glazing by others
- No curved framing
- Double acting frame 5-3/4" x 2" face & head only
- Drywall Anchorage: Standard Jamb Anchor Tuck Condition or KD Wrap Condition; Optional Punch & Dimple Tuck, FRP Frame & Metal Studs or Wood Studs
- Masonry Anchorage: Existing Concrete or Block, Sill Anchor, Concealed Existing Masonry Anchor, New Concrete Block
- Mullions or Centerposts may be used for door pairs

AF-150 Frame: 5-3/4" Depth

Single Door Opening Standard: Perimeter Frame

Options:

- One (1) Transom and two (2) Sidelites.
- Sidelites may be 1 per side, or 2 stacked on one side. See Illustrations 1 & 2.

Note: For single doors, sidelites will be constructed welded. Perimeter frame, and head will be knockdown.

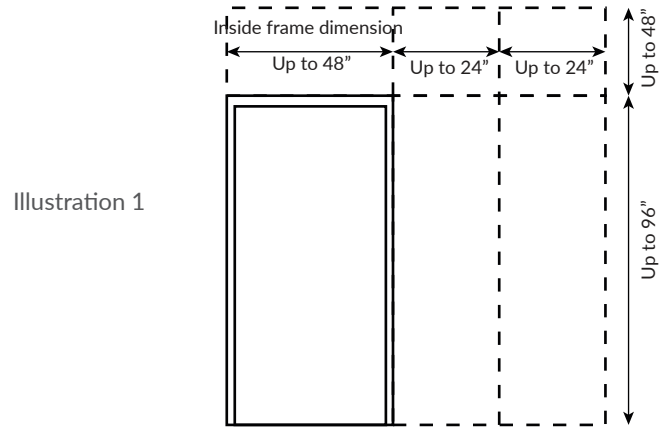


Illustration 1

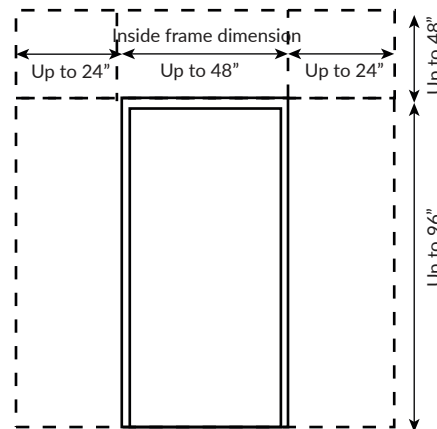


Illustration 2

Pair Doors Opening Standard: Perimeter Frame
Option:

- One (1) Transom and no more than one (1) Sidelite per side. See Illustration 3.

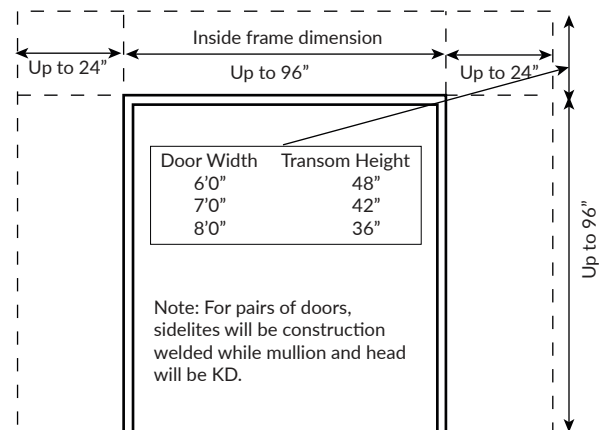


Illustration 3

AF-150 Frame: 6-3/4", 7-3/4", 8-3/4" Depth

Single Door Opening Standard: Perimeter Frame

Options: One (1) Transom OR one (1) Sidelite. See Illustrations 4 & 5.

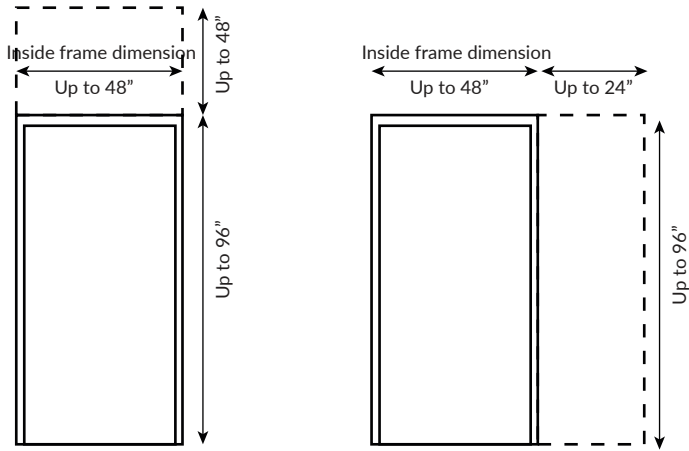


Illustration 4

Illustration 5

Pair Doors Opening Standard: Perimeter Frame

Options: One (1) Transom OR one (1) Sidelite per side. See Illustrations 6 & 7.

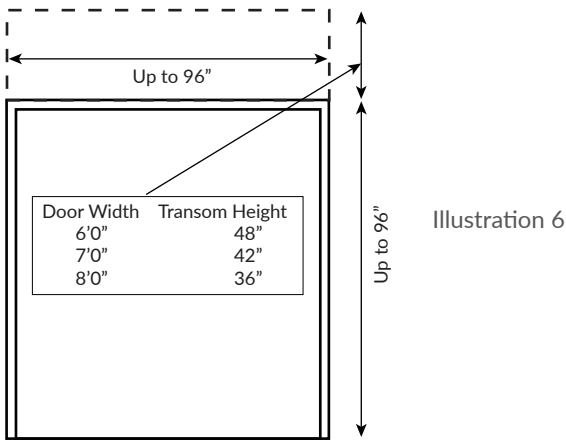


Illustration 6

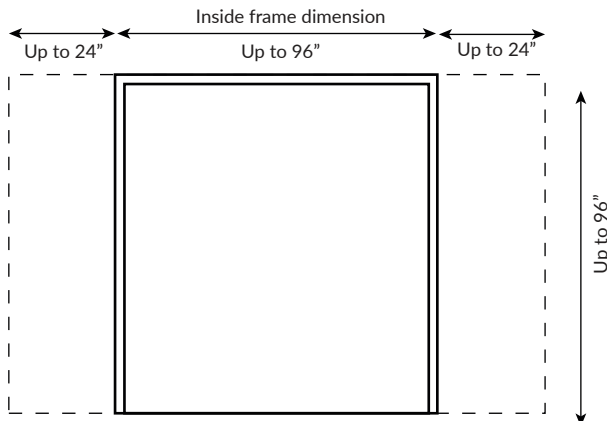


Illustration 7

AF-150 Frame: Adjustable (4.5" to 12" Depth)

Single Door and Pair Doors Opening Standard: Perimeter Frame only.

Transoms and Sidelites NOT available when using custom frame depths 4.5" to 12". See Illustrations 8 & 9.

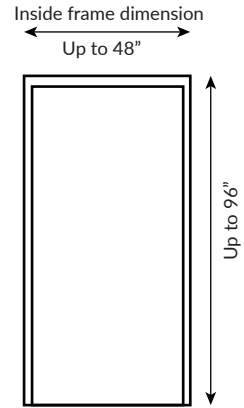


Illustration 8

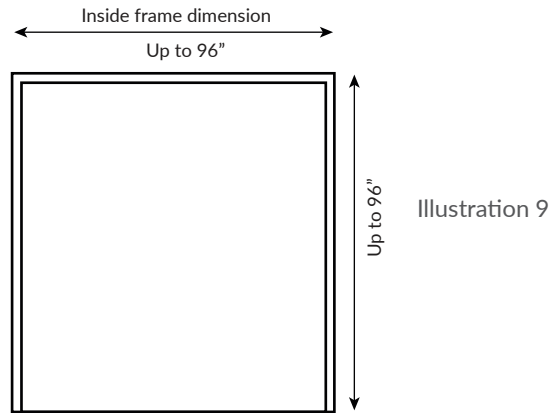


Illustration 9

©2018 Special-Lite, Inc.

Special-Lite and the Special-Lite logo are registered trademarks of Special-Lite, Inc.

09/18 PDF