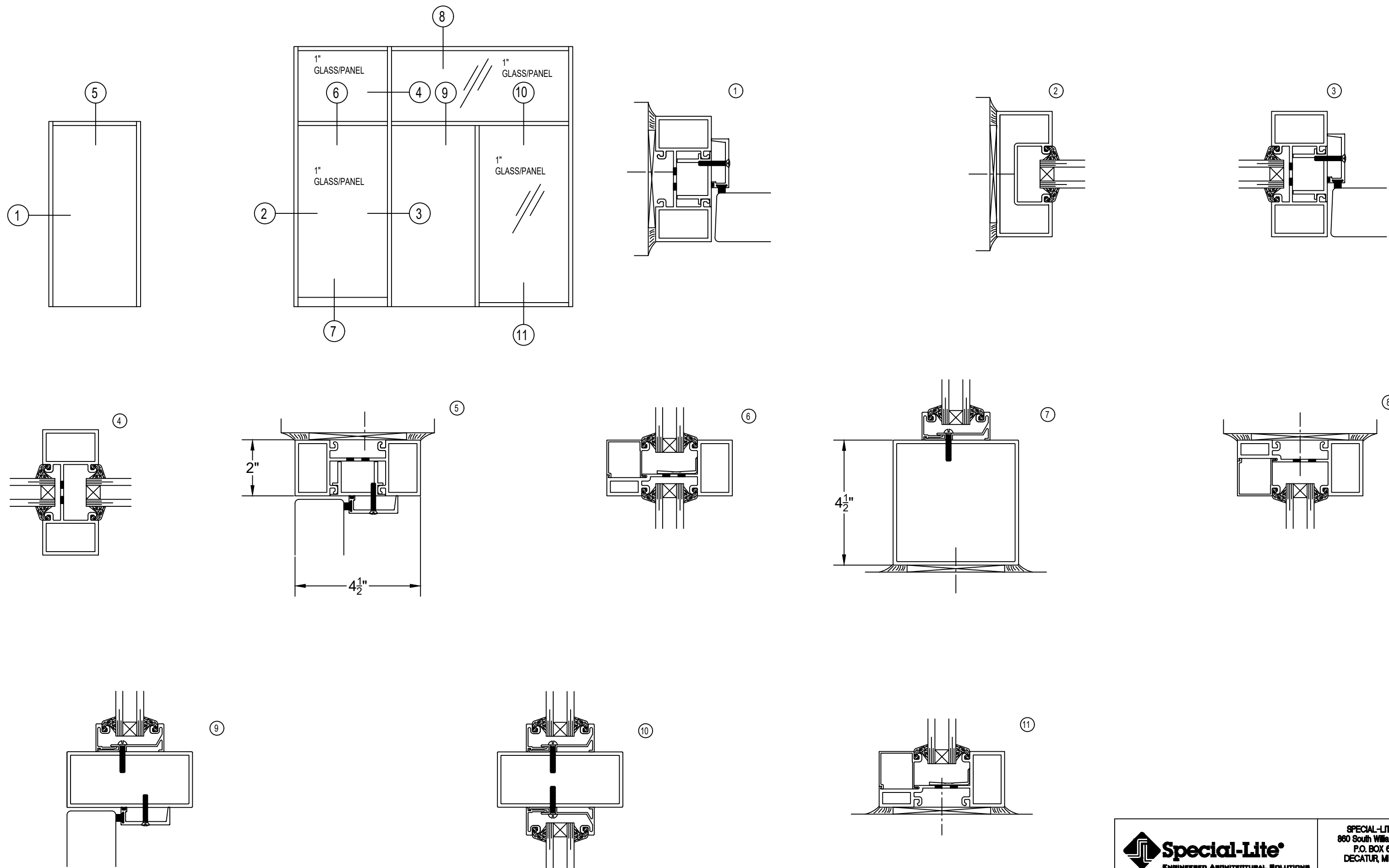

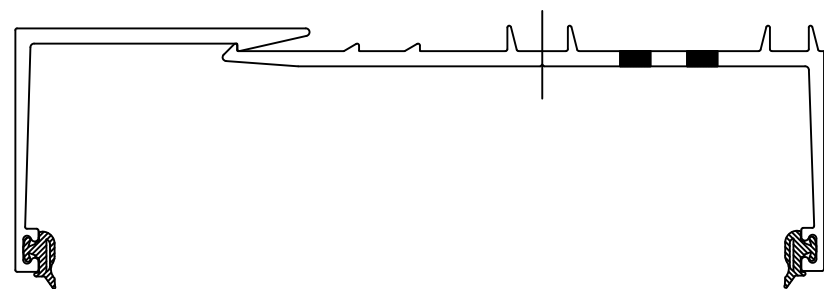
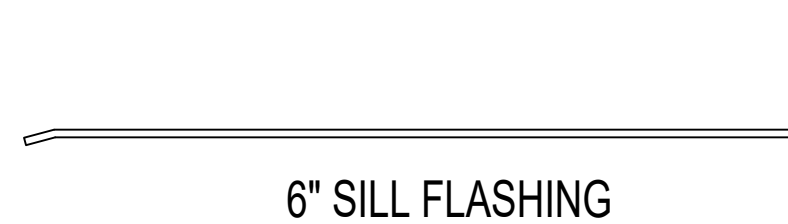
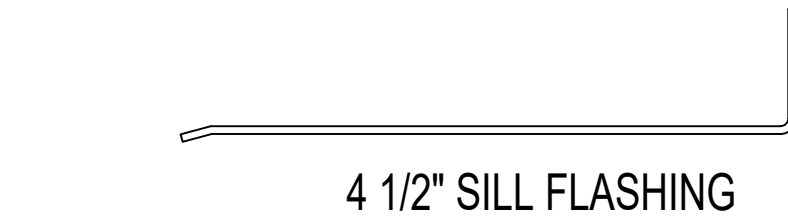
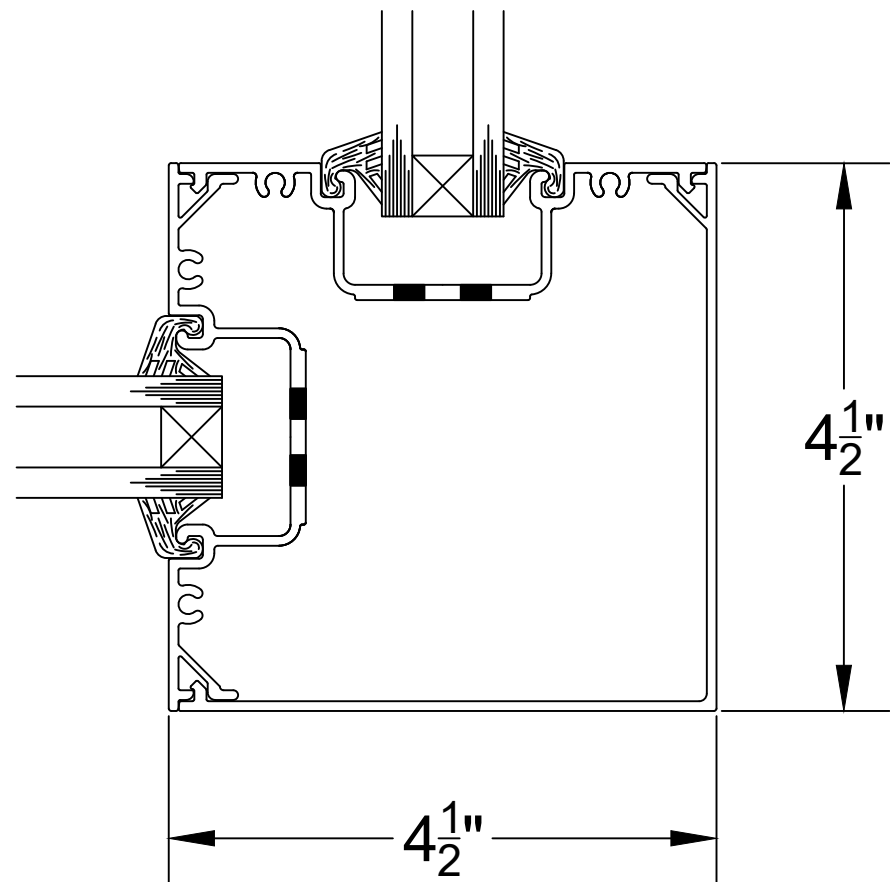


		Special-Lite® <small>ENGINEERED ARCHITECTURAL SOLUTIONS</small>		SPECIAL-LITE, INC. 860 South Williams Street P.O. BOX 6 DECATUR, MI 49045 WWW.SPECIAL-LITE.COM	
		DRAWN BY: JMM REVISION:		2" X 6" FRAMING SYSTEM 1" FLUSH GLAZED	
A 3/28/17 C B 11/9/19 D		DATE: 3/28/2017 SHEET NO. 1 OF 4		FILE: FLUSHGLAZEDFRAMING.dwg	



 Special-Lite <small>ENGINEERED ARCHITECTURAL SOLUTIONS</small>		SPECIAL-LITE, INC. 860 South Williams Street P.O. BOX 6 DECATUR, MI 48045 WWW.SPECIAL-LITE.COM	
		DRAWN BY: JMM REVISION:	2" X 4 1/2" FRAMING SYSTEM 1" FLUSH GLAZED
A 3/28/17 C B 11/9/19 D	FILE: FLUSHGLAZEDFRAMING.dwg		



HEAD RECEPTOR



FG-19 ADAPTOR FOR
CONVERTING 1" FLUSH
GLAZE TO 1/4" FLUSH GLAZE

		SPECIAL-LITE, INC. 860 South Williams Street P.O. BOX 6 DECATUR, MI 48045 WWW.SPECIAL-LITE.COM	
		FLUSHED GLAZED MISCELLANEOUS RELATED ITEMS	
DRAWN BY: JMM REVISION	DATE: 4/3/2017	SHEET NO. 4 OF 4	FILE: FLUSHGLAZEDFRAMING.dwg
A 4/3/17 C B D			