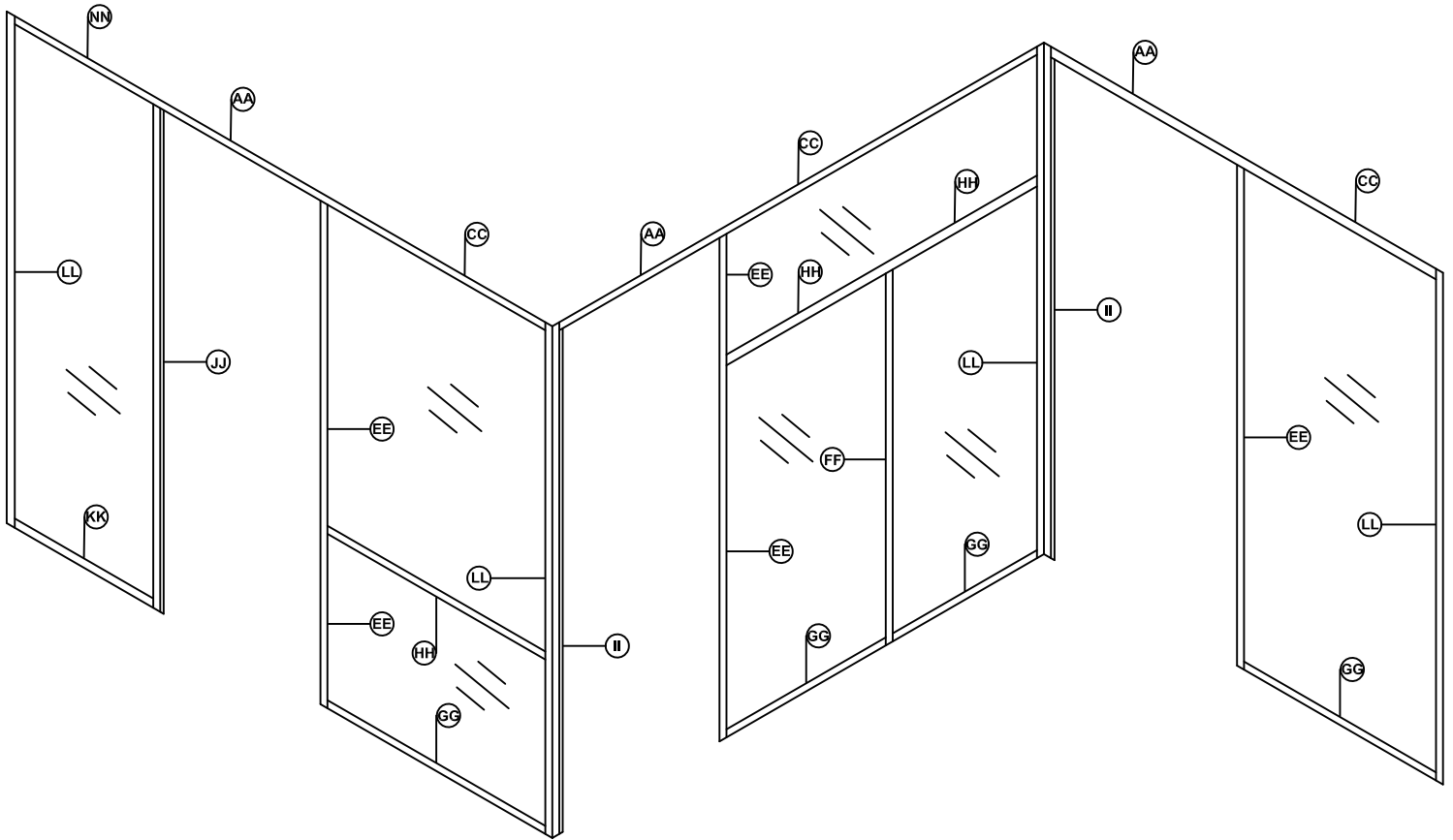
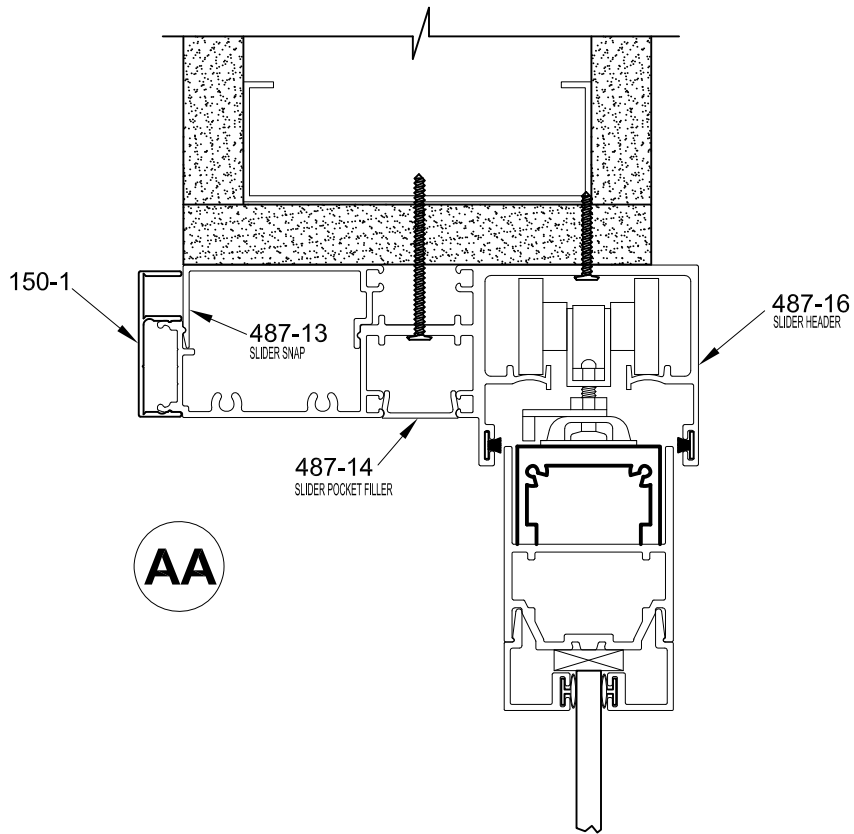


TYPICAL SLIDER FRAME ELEVATIONS



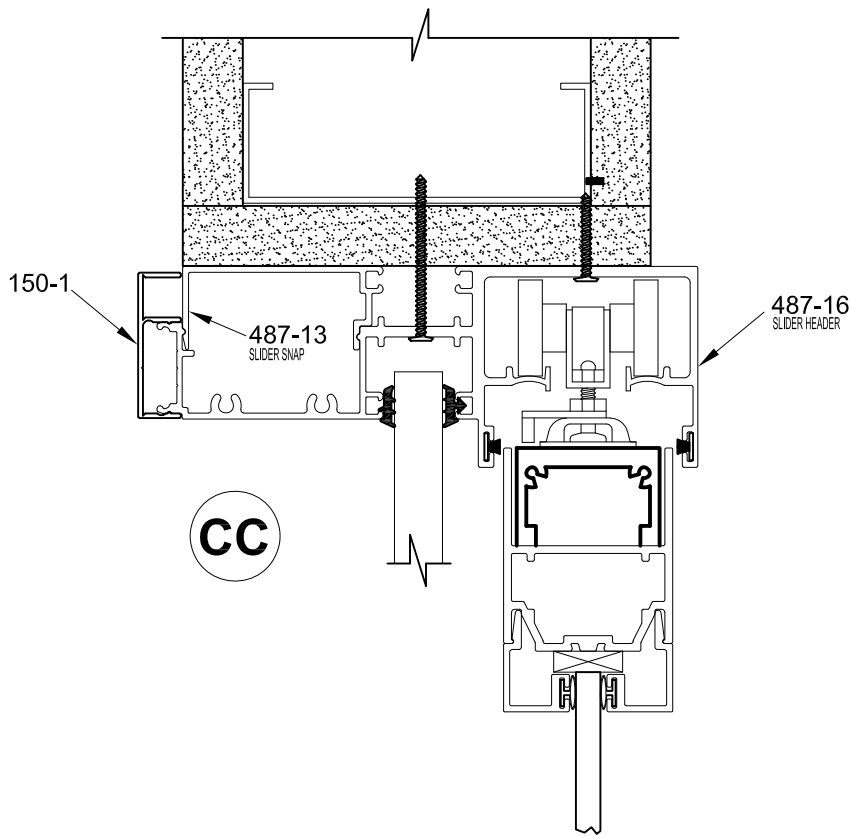
PARTIAL HEIGHT FRAME ELEVATIONS

487 SLIDER



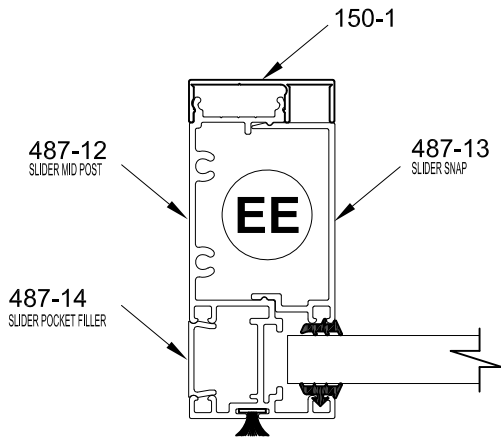
SLIDER HEADER @ FINISHED WALL

487 SLIDER

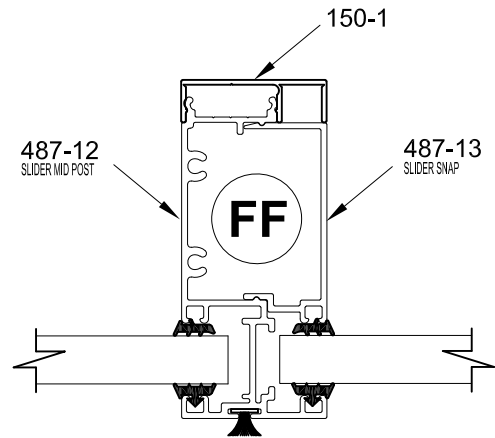


SLIDER HEADER - SIDELITE @ FINISHED WALL

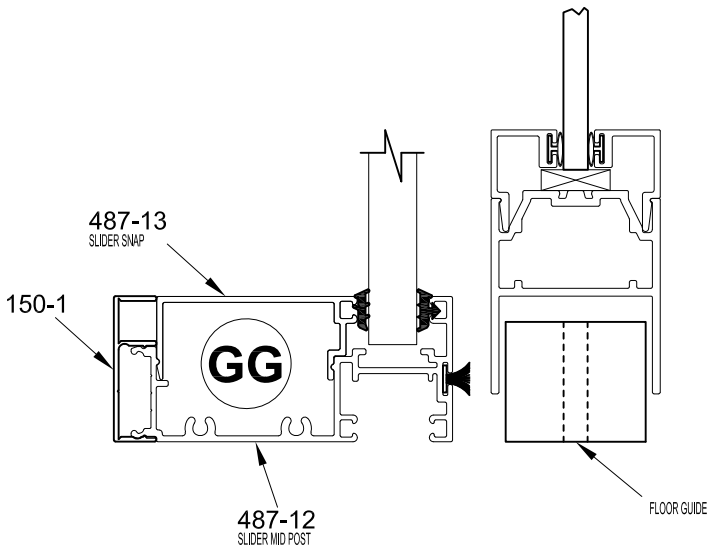
487 SLIDER



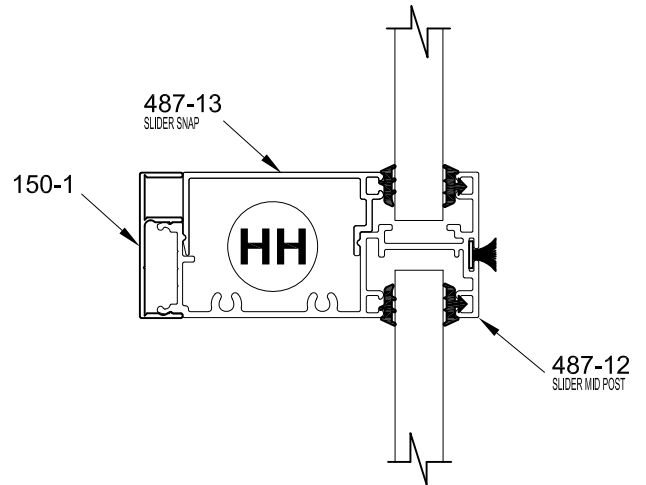
SLIDER VERTICAL MULLION @ DOOR FRAME



SLIDER INTERMEDIATE VERTICAL MULLION

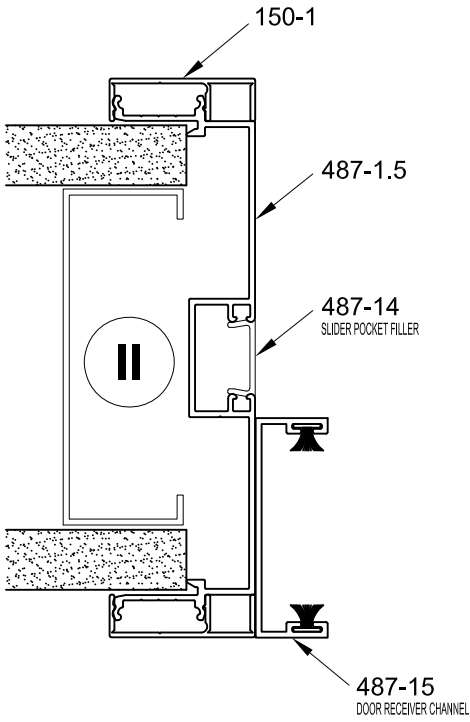


SLIDER SIDELITE SILL @ DOOR FRAME

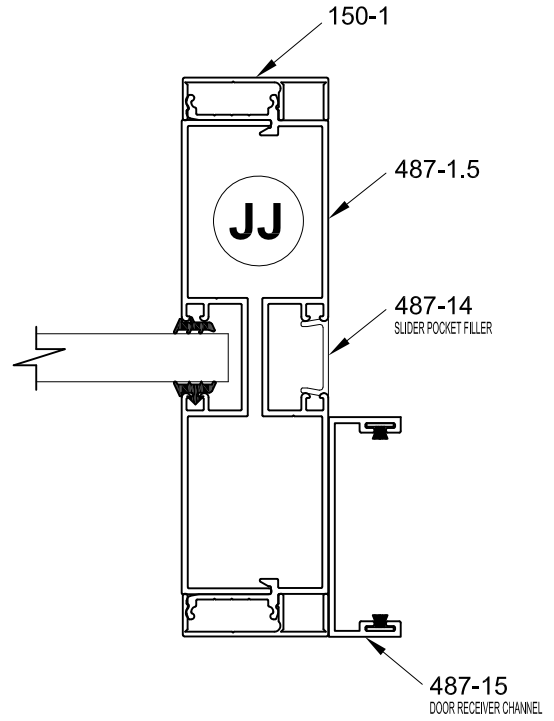


SLIDER INTERMEDIATE HORIZONTAL MULLION

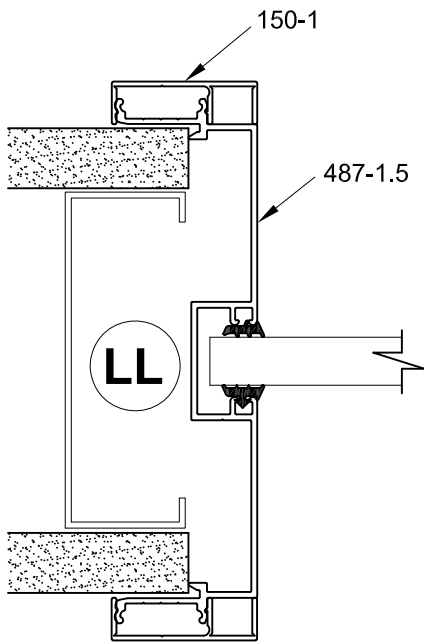
487 SLIDER



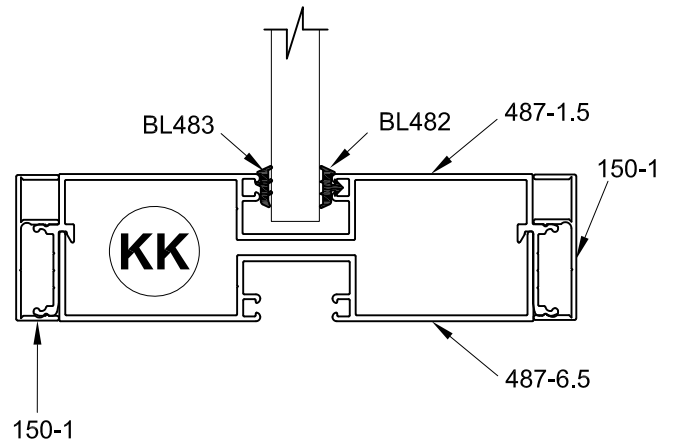
SLIDER RECEIVER @ FINISHED WALL



SLIDER RECEIVER VERTICAL MULLION

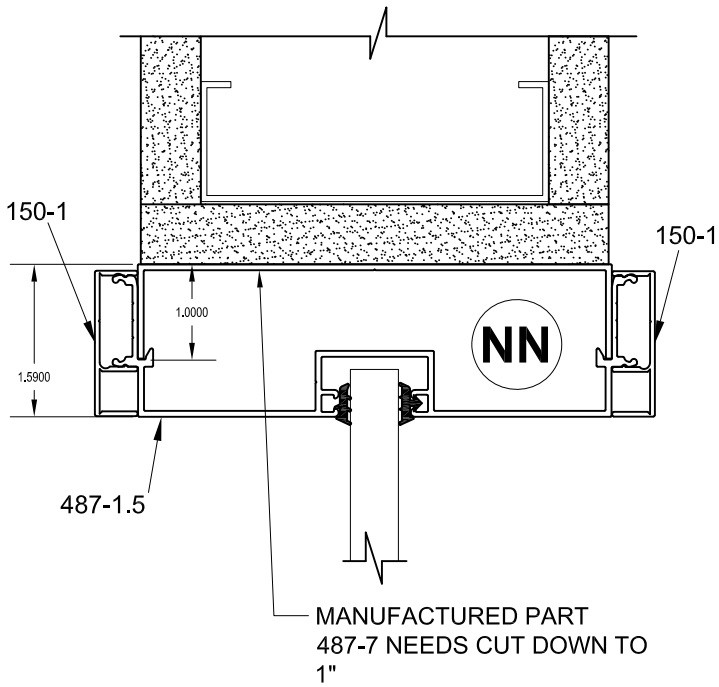


GLASS JAMB @ WALL



SIDELITE SILL

487 SLIDER



GLASS JAMB @ ATTACHED SIDELITE
HEADER