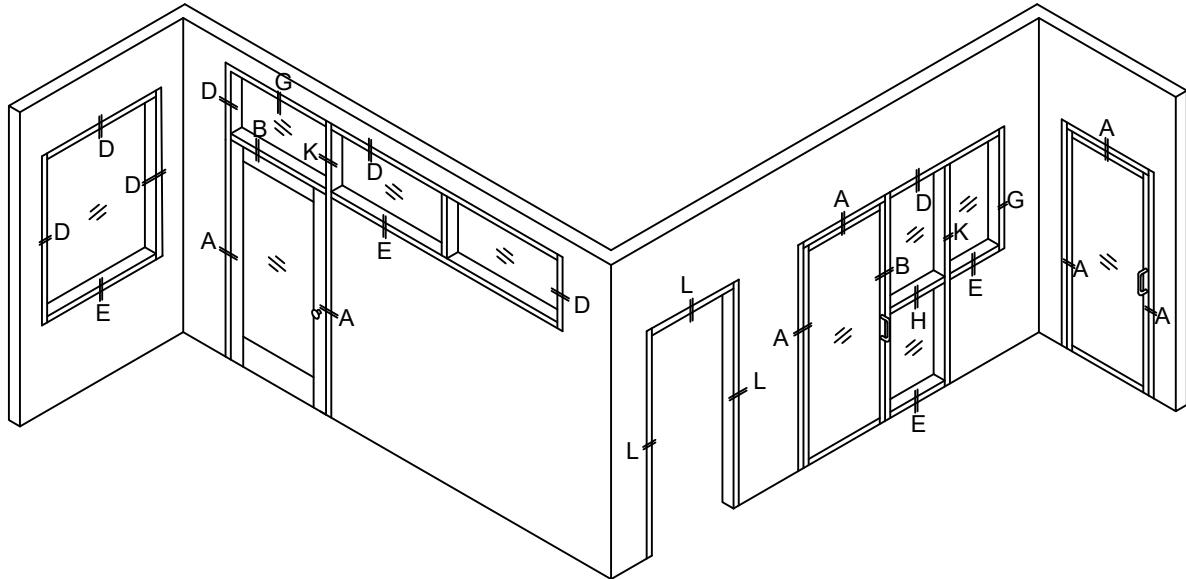
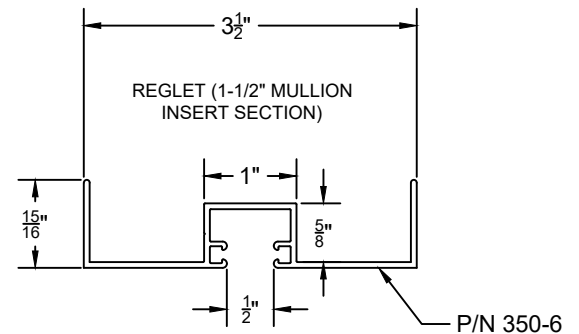
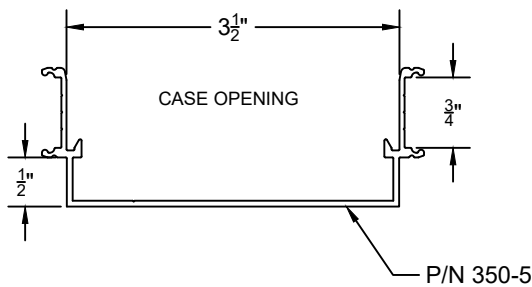
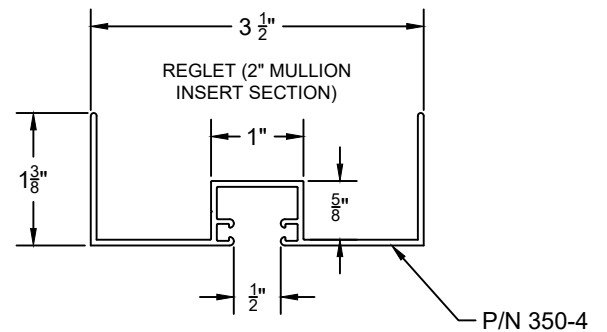
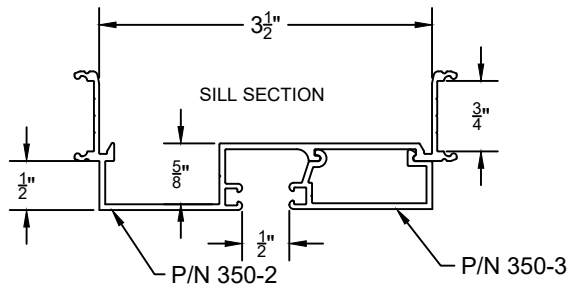
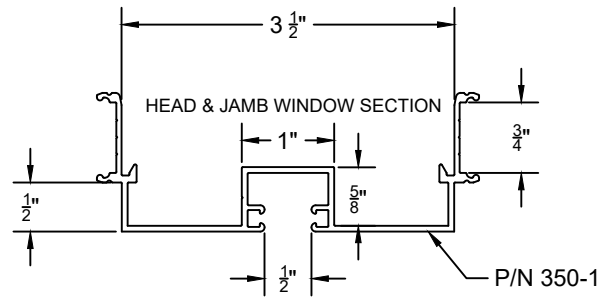
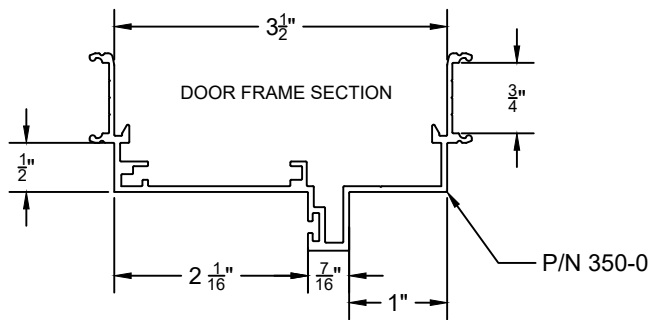


TYPICAL FRAME ELEVATIONS



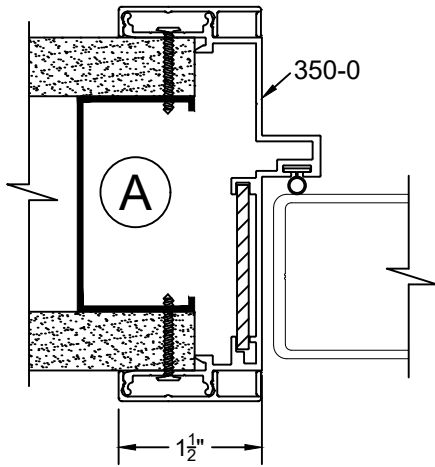
PARTIAL HEIGHT FRAME ELEVATIONS

350 WALL SERIES FOR 3 1/2" PARTITION

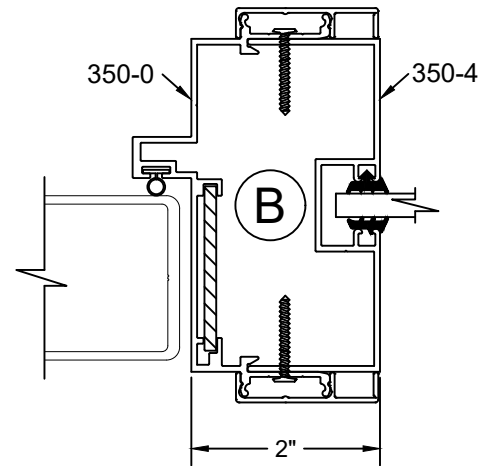


WALL SYSTEM

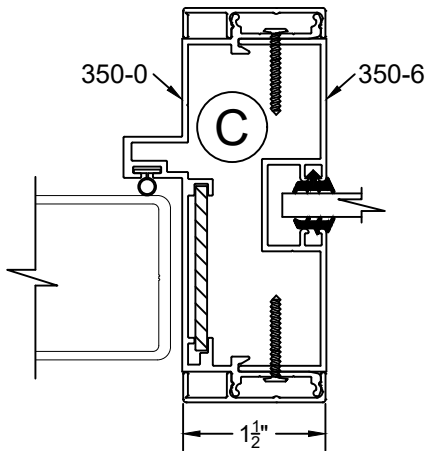
350 WALL SERIES WITH 1.5" TRIM FOR 3 1/2" PARTITION



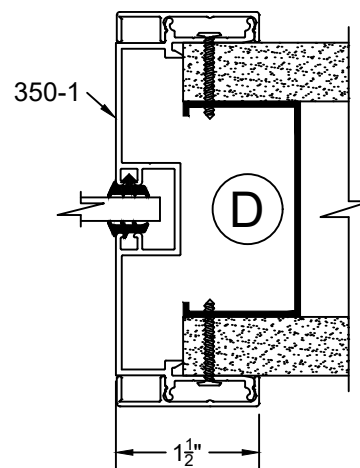
DOOR JAMB



DOOR JAMB WITH SIDELITE
2" MULLION

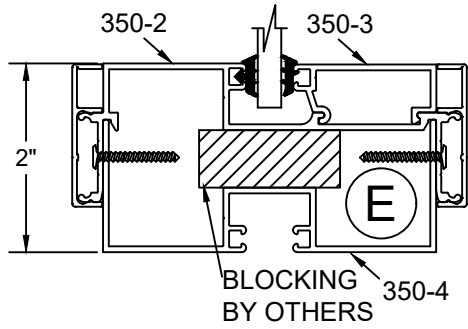


DOOR JAMB WITH SIDELITE
1 1/2" MULLION

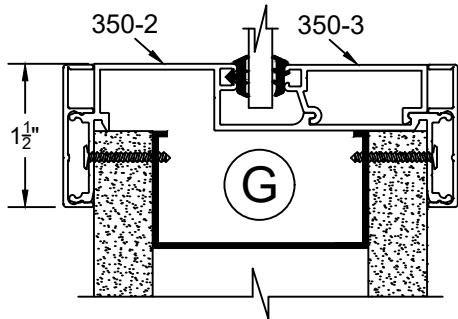


GLASS JAMB

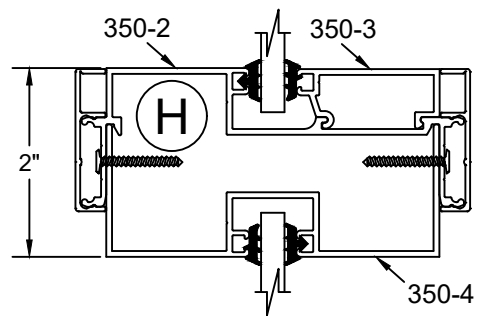
350 WALL SERIES WITH 1.5" TRIM FOR 3 1/2" PARTITION



2" SILL

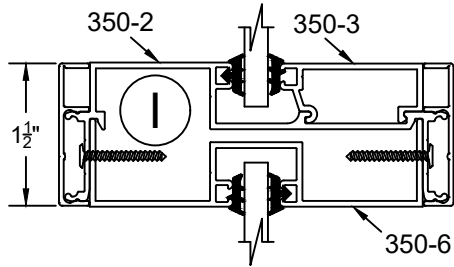


SILL AT WALL

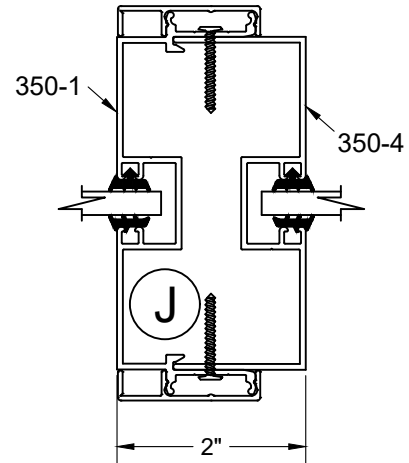


2" HORIZONTAL MULLION

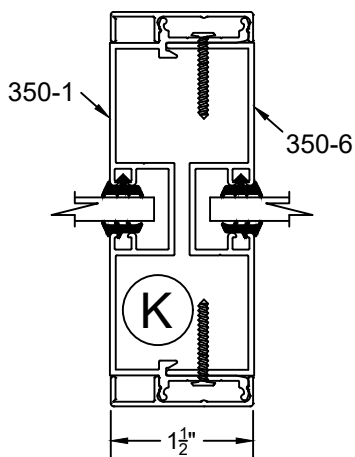
350 WALL SERIES WITH 1.5" TRIM FOR 3 1/2" PARTITION



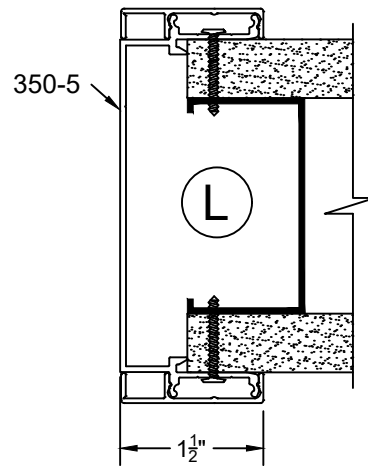
1 1/2" HORIZONTAL MULLION



2" VERTICAL MULLION

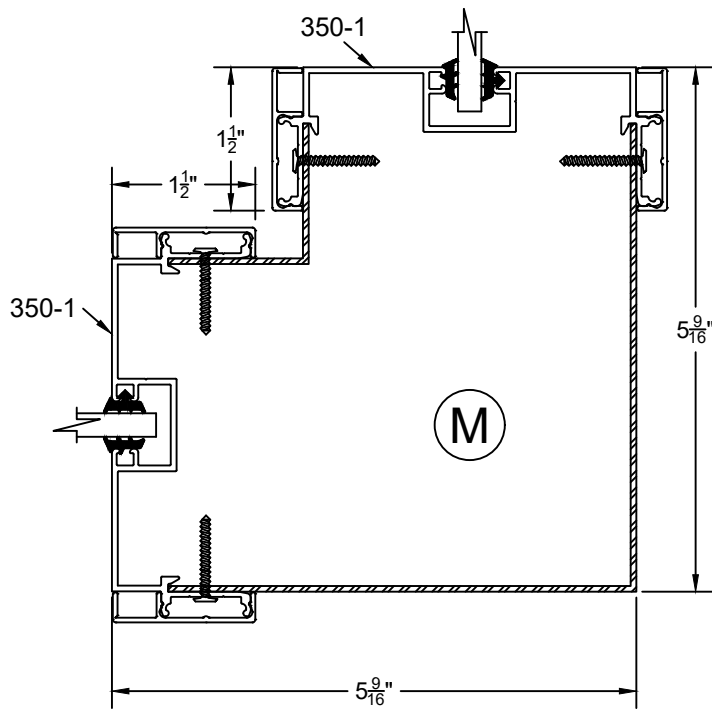


1 1/2" VERTICAL MULLION



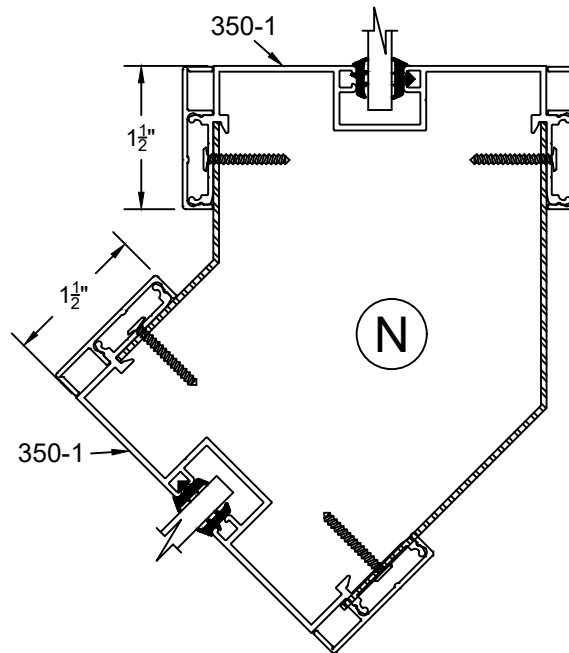
CASED OPENING JAMB

350 WALL SERIES WITH 1.5" TRIM FOR 3 1/2" PARTITION



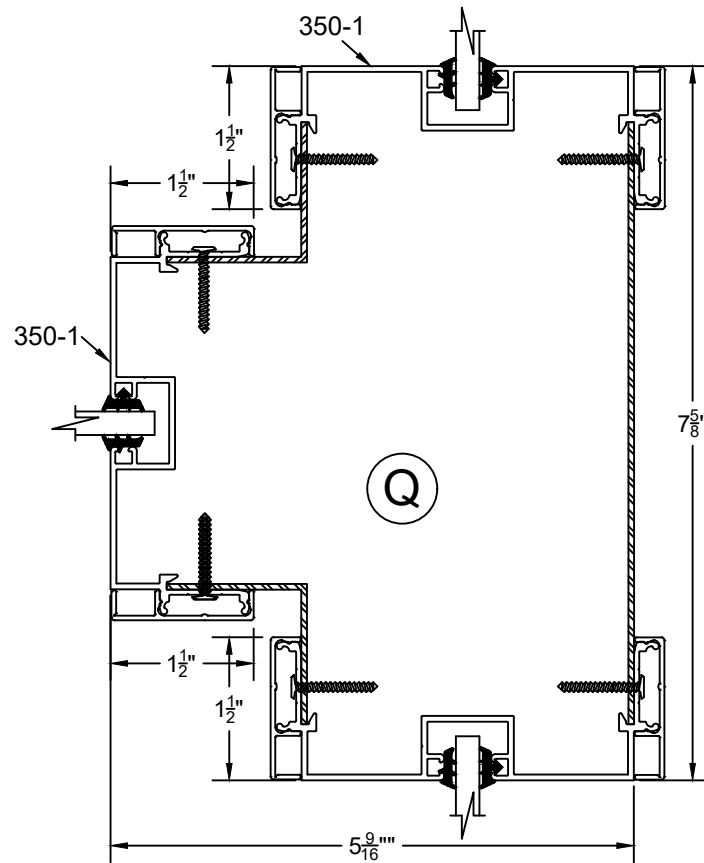
90° CORNER POST

350 WALL SERIES WITH 1.5" TRIM FOR 3 1/2" PARTITION



CUSTOM CORNER POST

350 WALL SERIES WITH 1.5" TRIM FOR 3 1/2" PARTITION



T - POST