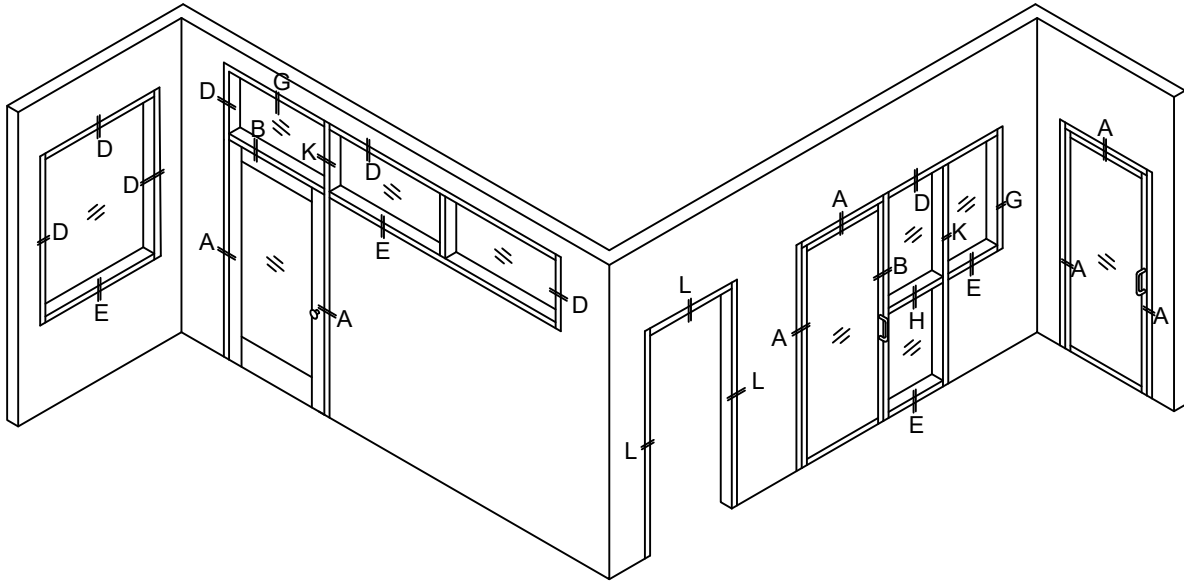
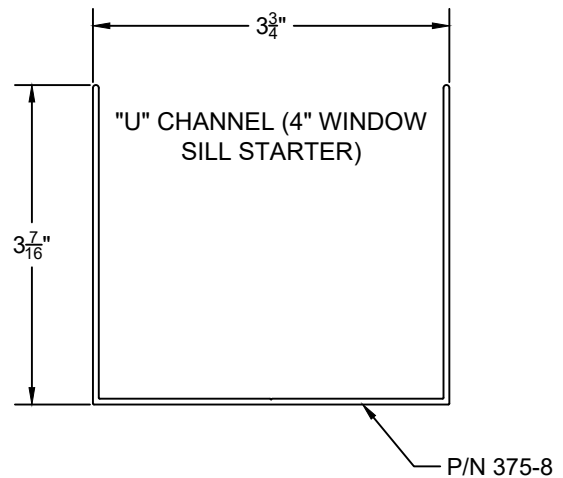
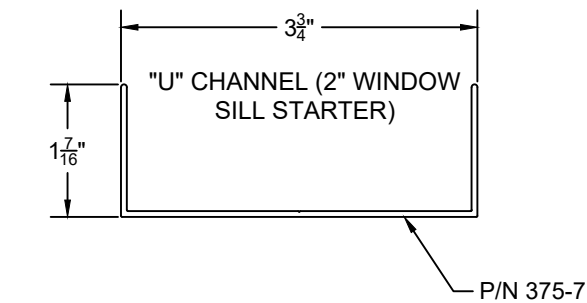
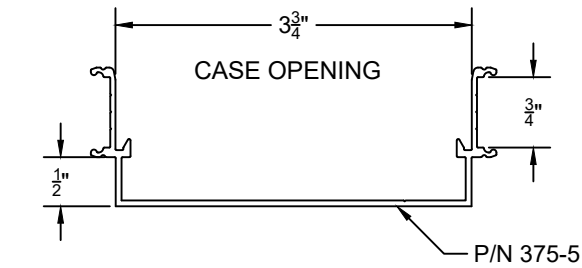
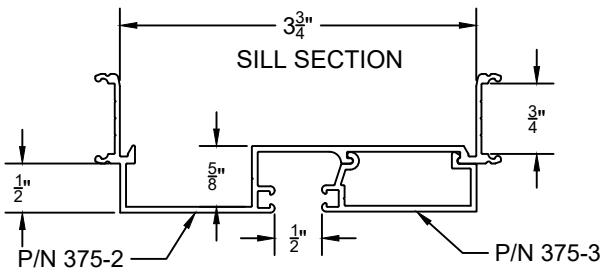
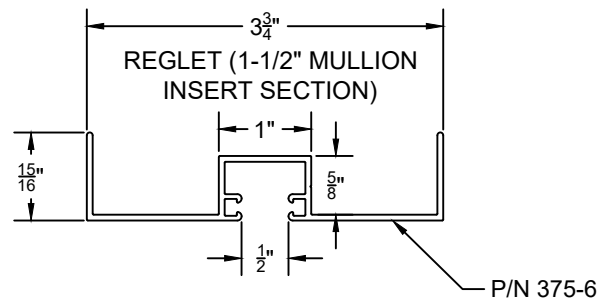
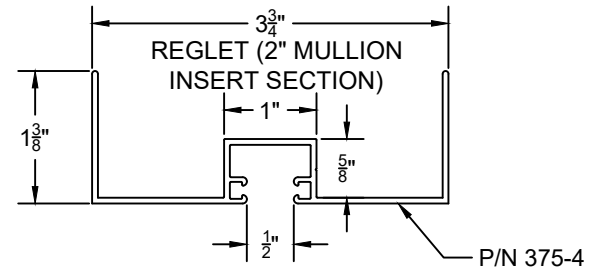
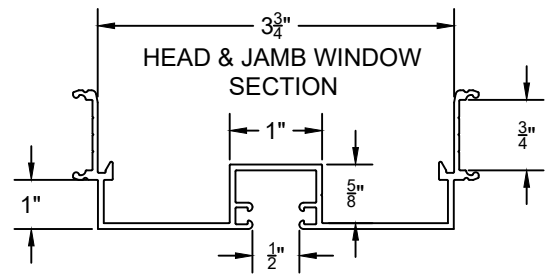
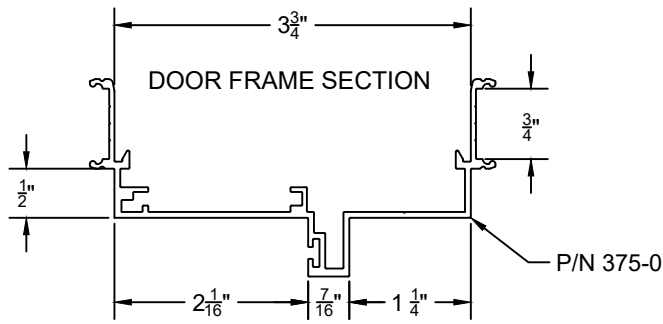


# TYPICAL FRAME ELEVATIONS



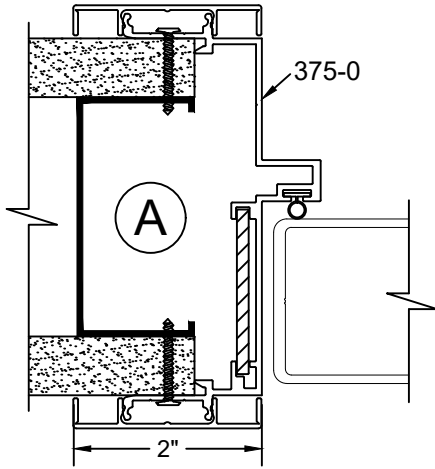
## PARTIAL HEIGHT FRAME ELEVATIONS

# 375 WALL SERIES FOR 3 <sup>3</sup>/<sub>4</sub>" PARTITION

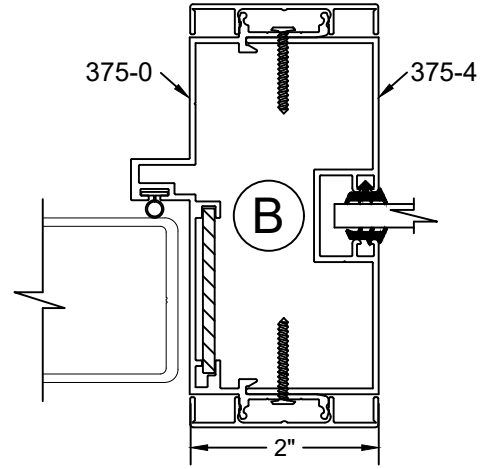


## WALL SYSTEM

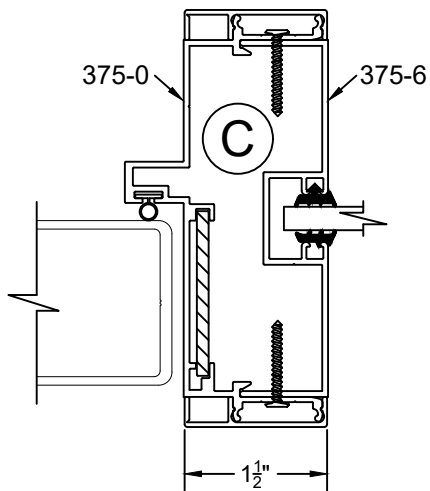
# 375 WALL SERIES WITH 2" TRIM FOR 3 <sup>3</sup>/<sub>4</sub>" PARTITION



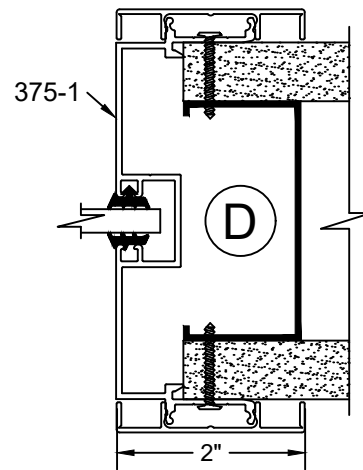
DOOR JAMB



DOOR JAMB WITH SIDELITE  
2" MULLION

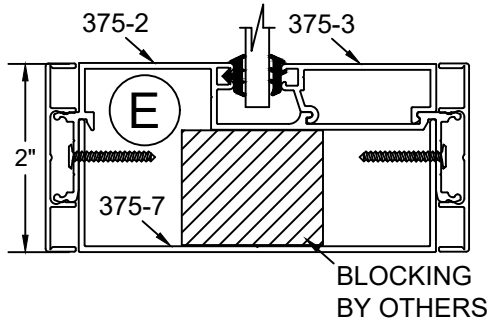


DOOR JAMB WITH SIDELITE  
1 <sup>1</sup>/<sub>2</sub>" MULLION

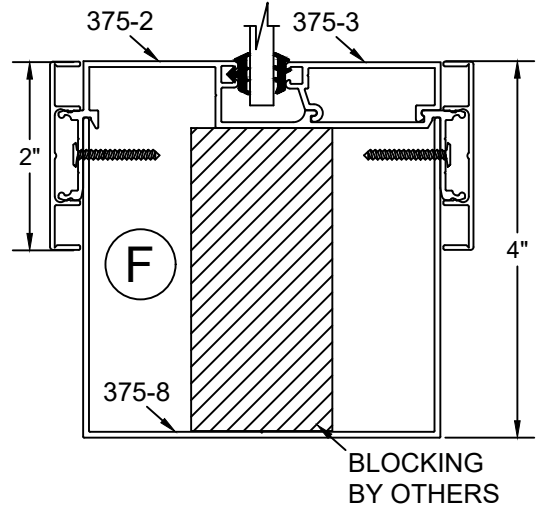


GLASS JAMB

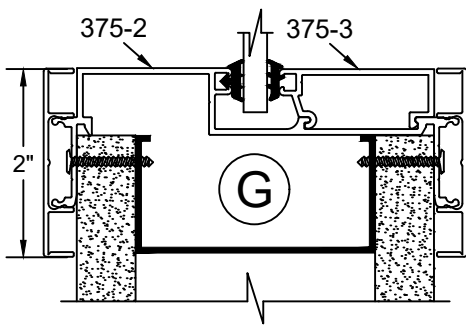
# 375 WALL SERIES WITH 2" TRIM FOR 3 3/4" PARTITION



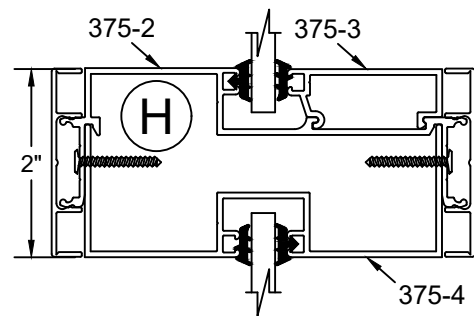
2" SILL



4" SILL

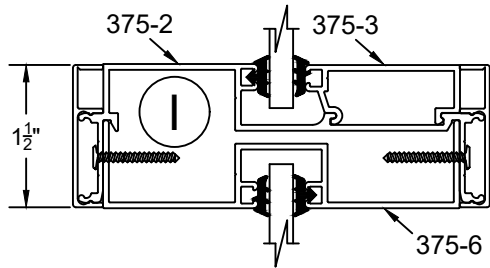


SILL AT WALL

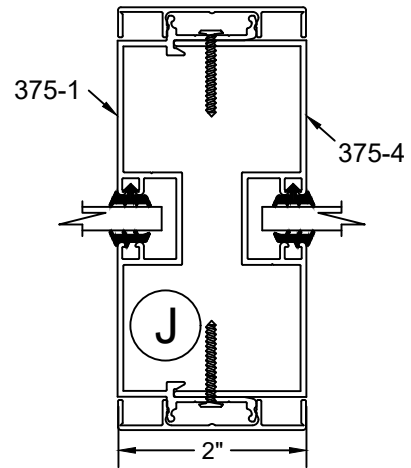


2" HORIZONTAL MULLION

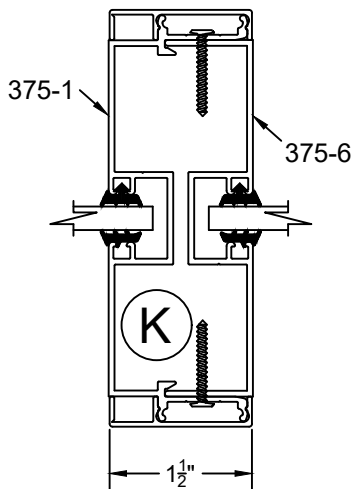
# 375 WALL SERIES WITH 2" TRIM FOR 3 <sup>3</sup>/<sub>4</sub>" PARTITION



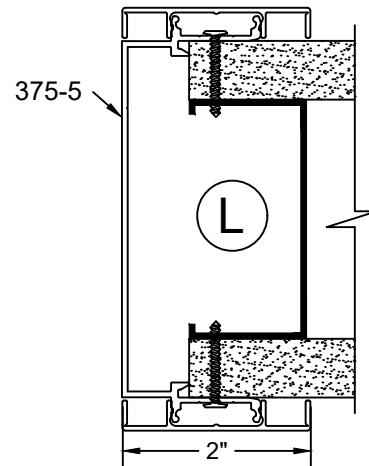
1 <sup>1</sup>/<sub>2</sub>" HORIZONTAL MULLION



2" VERTICAL MULLION

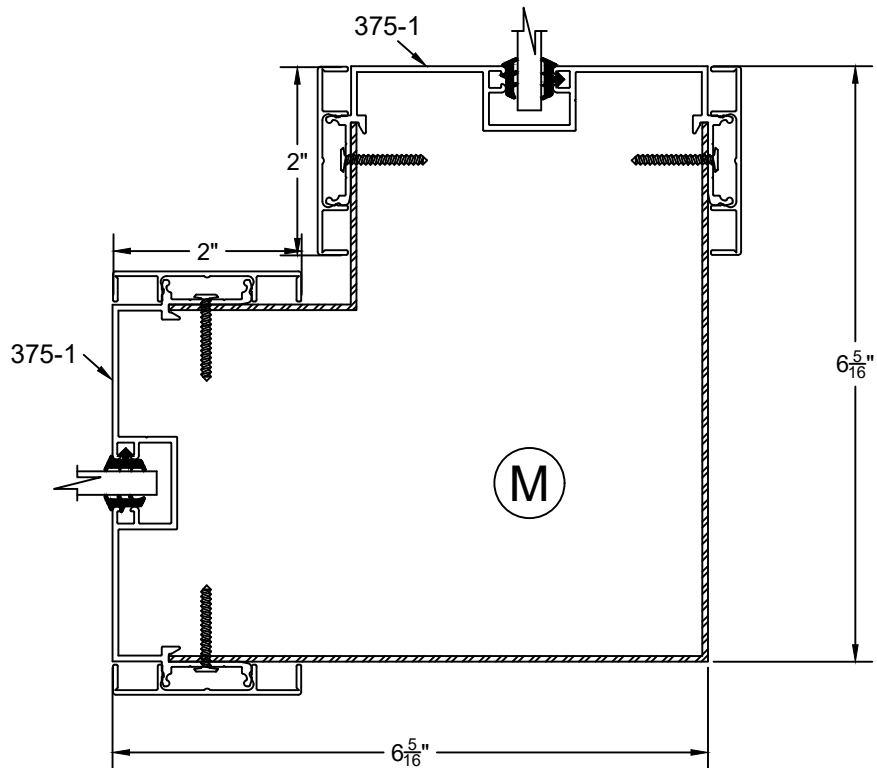


1 <sup>1</sup>/<sub>2</sub>" VERTICAL MULLION



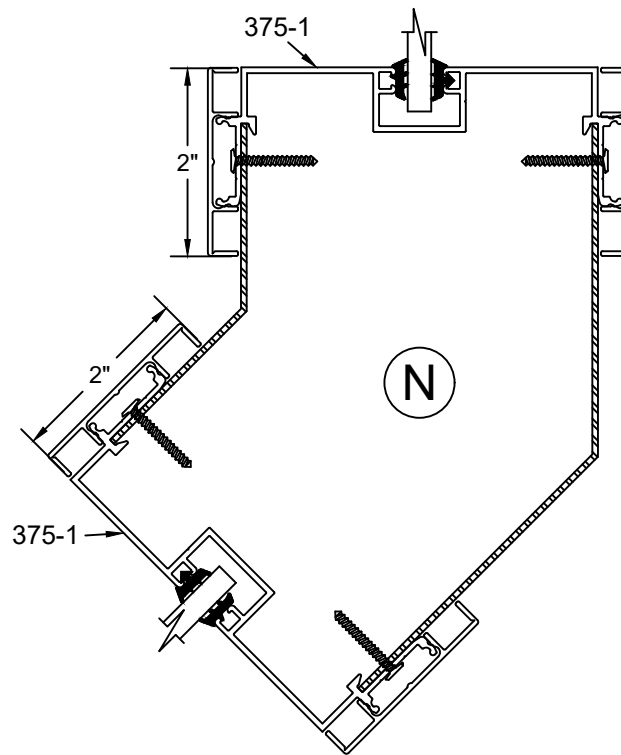
CASED OPENING JAMB

# 375 WALL SERIES WITH 2" TRIM FOR 3 <sup>3</sup>/<sub>4</sub>" PARTITION



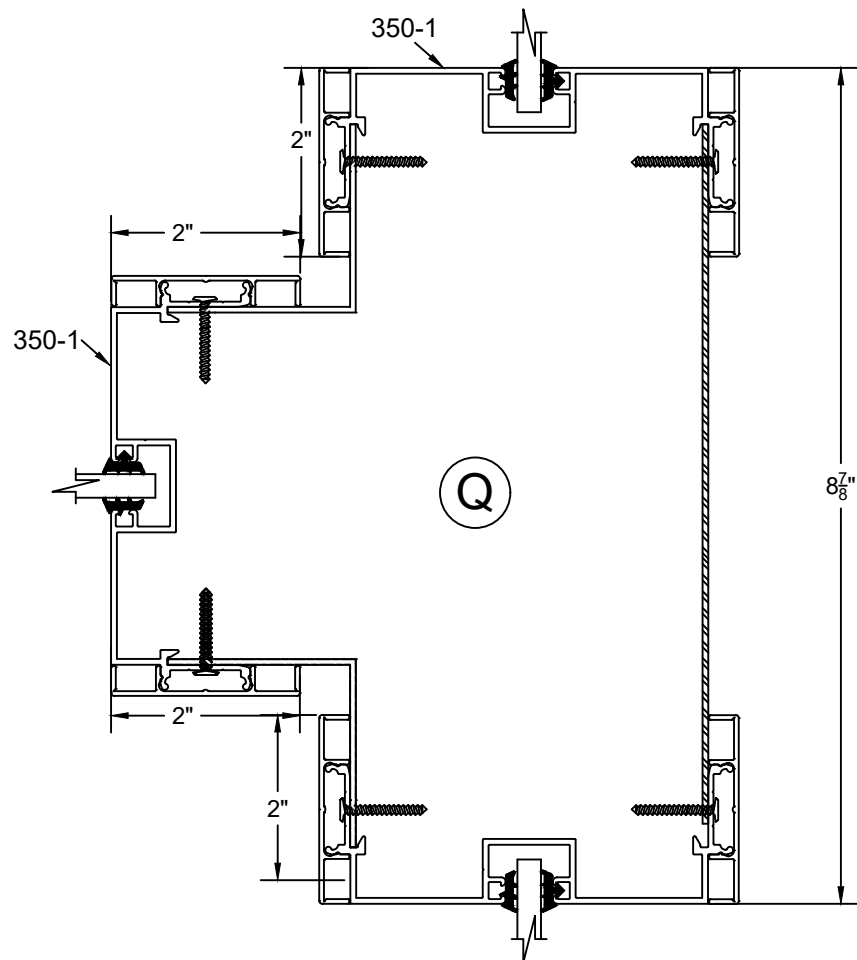
## 90° CORNER POST

# 375 WALL SERIES WITH 2" TRIM FOR 3 <sup>3</sup>/<sub>4</sub>" PARTITION



## CUSTOM CORNER POST

# 375 WALL SERIES WITH 2" TRIM FOR 3 $\frac{3}{4}$ " PARTITION



## T - POST