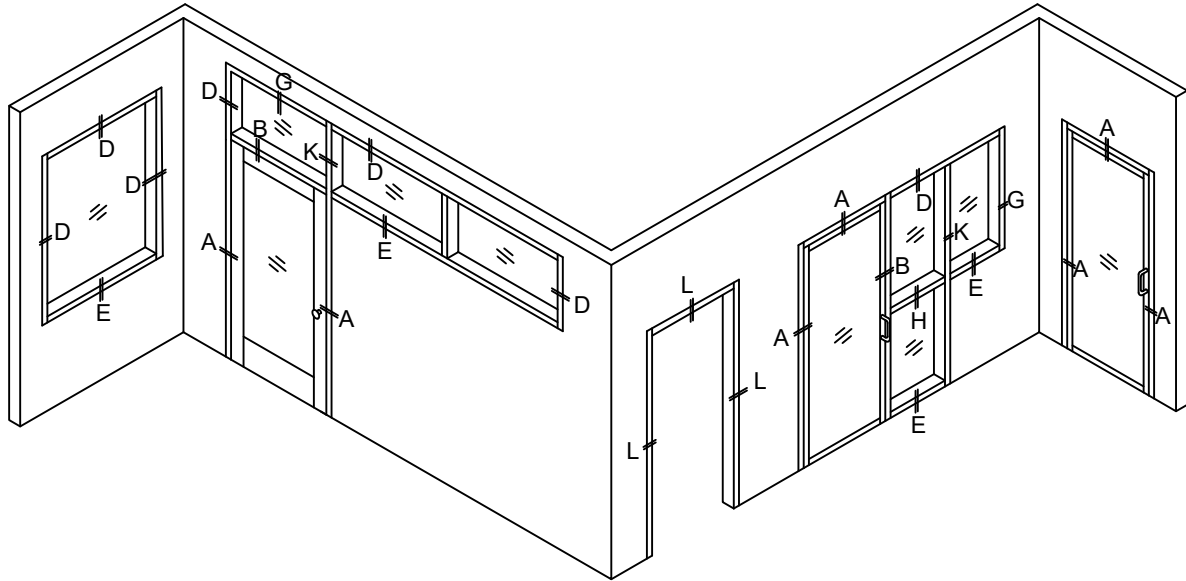
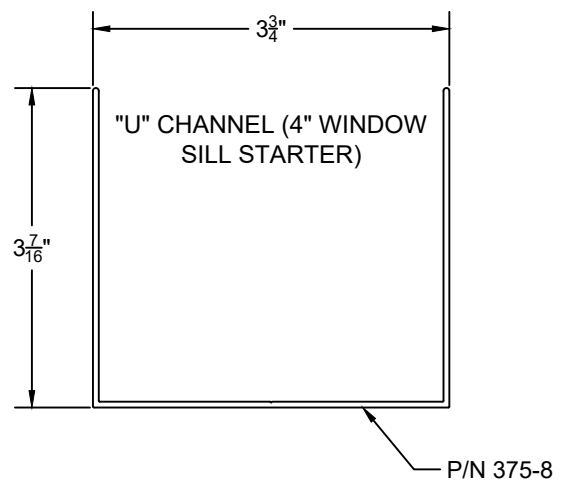
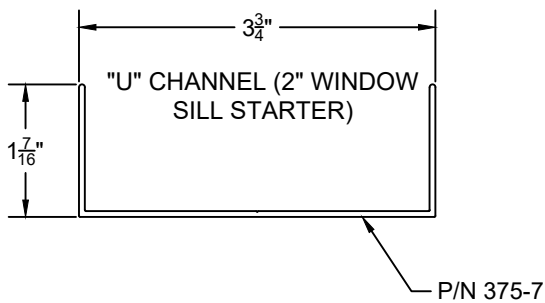
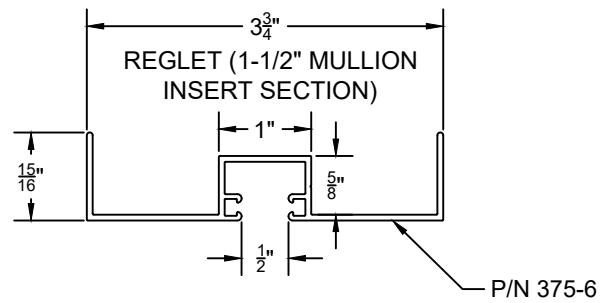
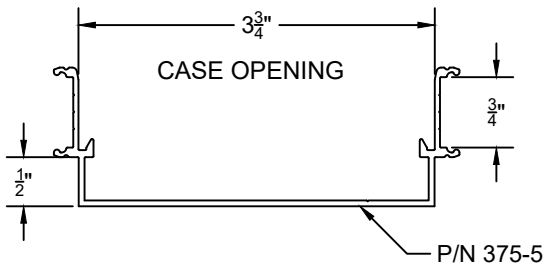
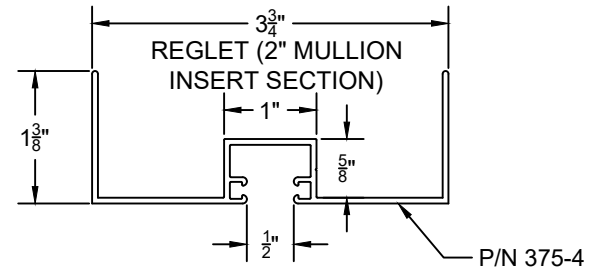
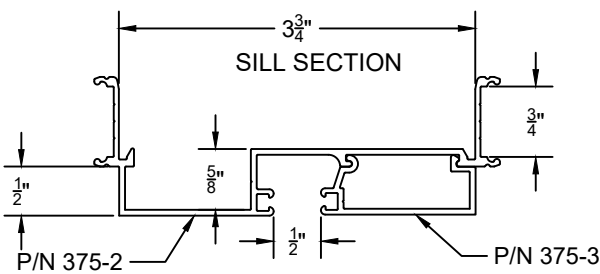
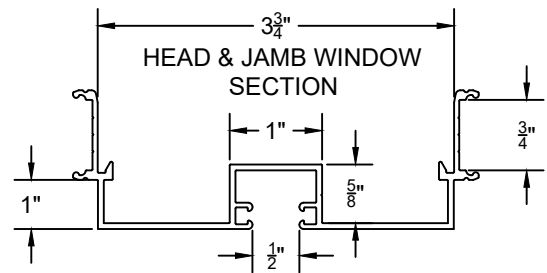
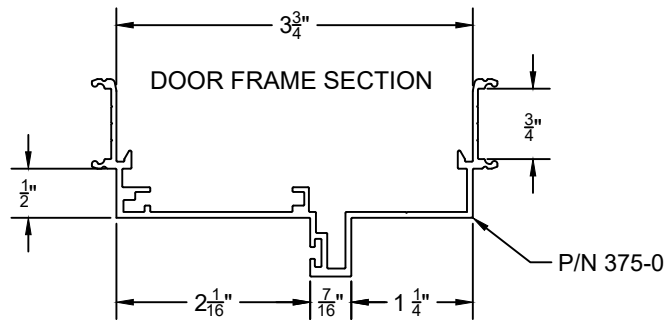


# TYPICAL FRAME ELEVATIONS



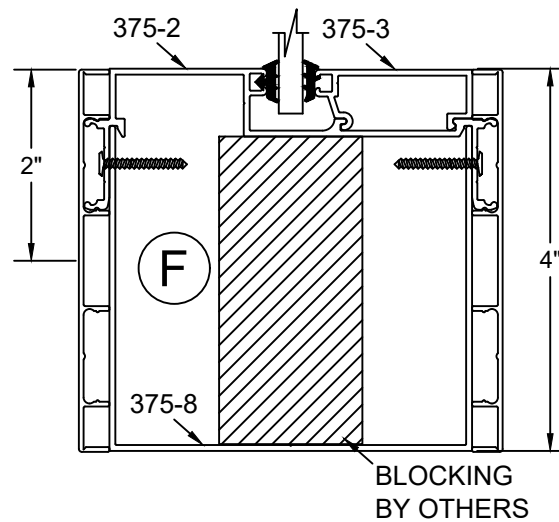
## PARTIAL HEIGHT FRAME ELEVATIONS

# 375 WALL SERIES FOR 3 <sup>3</sup>/<sub>4</sub>" PARTITION



## WALL SYSTEM

# 375 WALL SERIES WITH 4" TRIM FOR 3 <sup>3</sup>/<sub>4</sub>" PARTITION



## 4" SILL