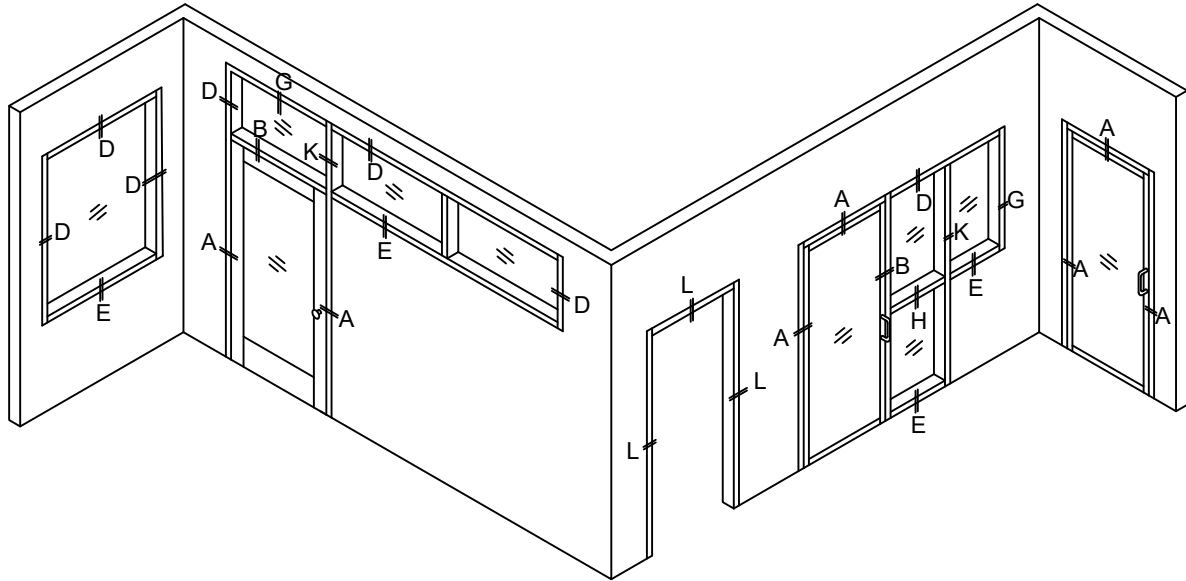
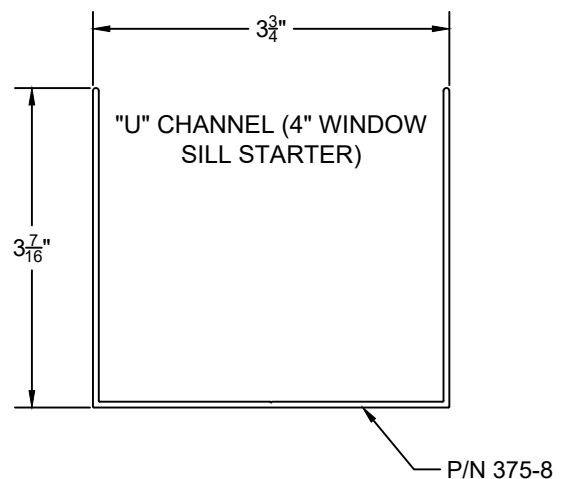
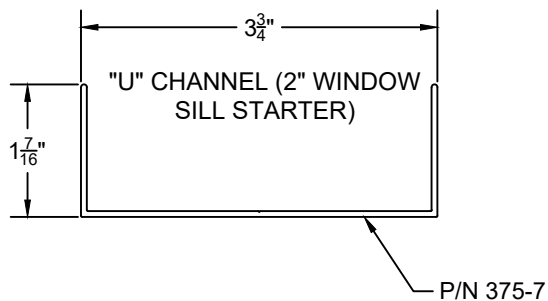
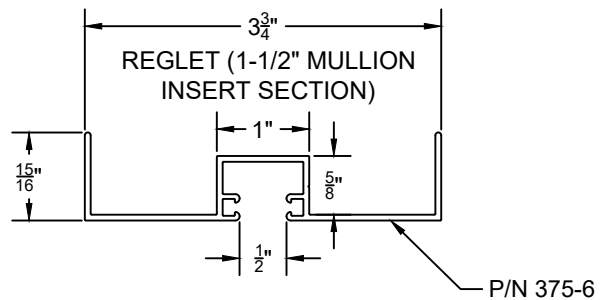
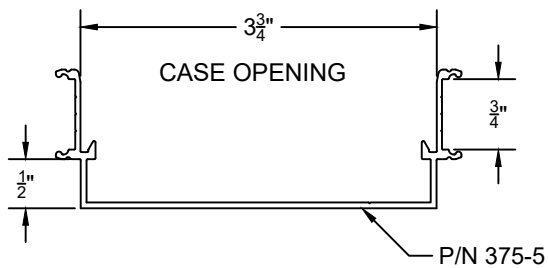
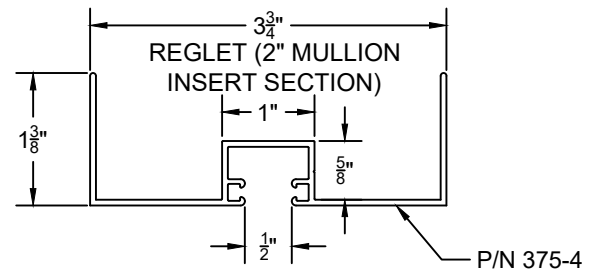
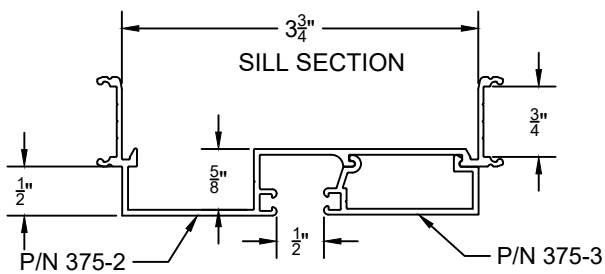
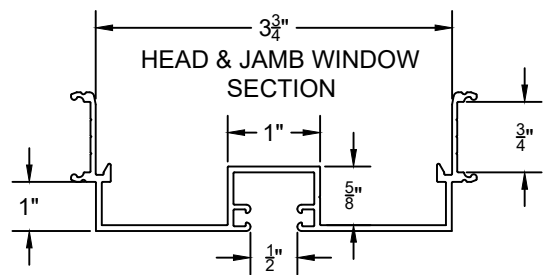
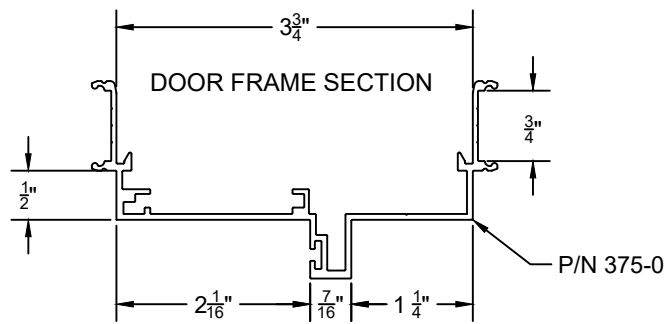


TYPICAL FRAME ELEVATIONS



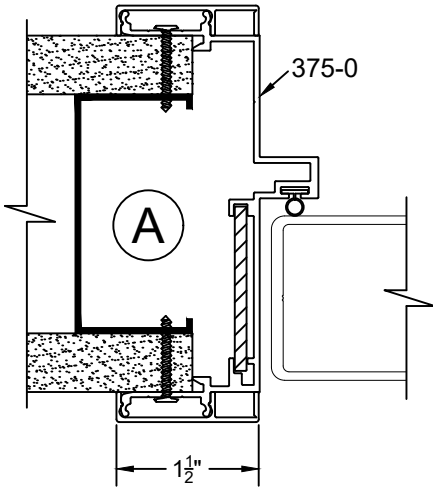
PARTIAL HEIGHT FRAME ELEVATIONS

375 WALL SERIES FOR 3 ³/₄" PARTITION

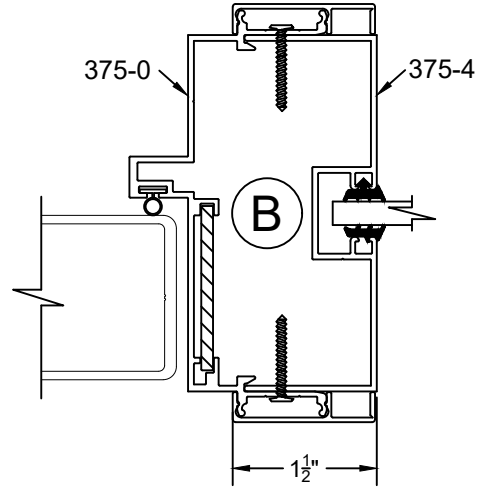


WALL SYSTEM

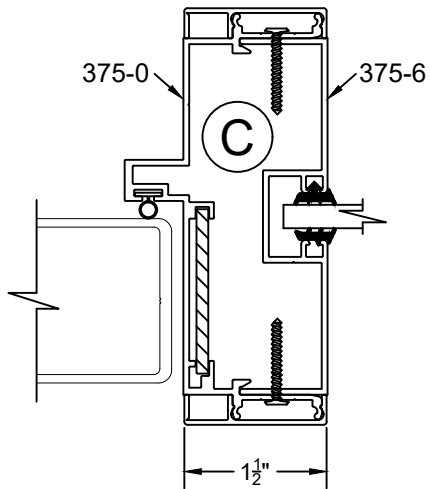
375 WALL SERIES WITH 1.5" TRIM FOR 3 ³/₄" PARTITION



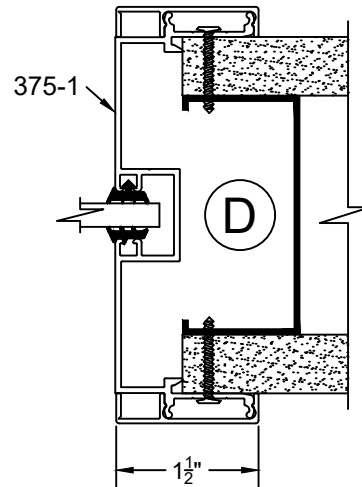
DOOR JAMB



DOOR JAMB WITH SIDELITE
2" MULLION

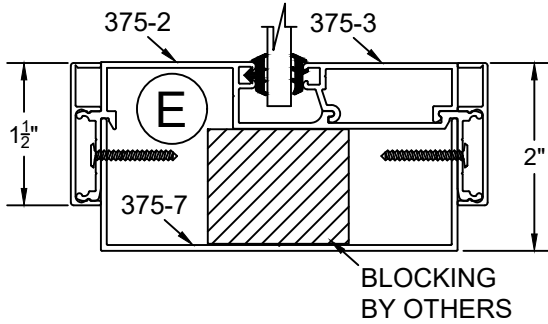


DOOR JAMB WITH SIDELITE
1 1/2" MULLION

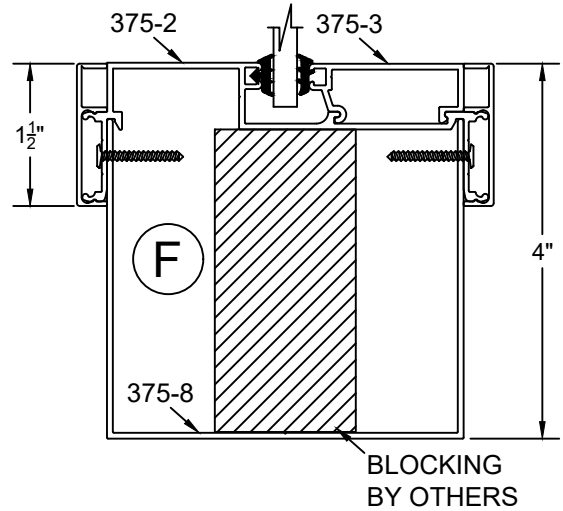


GLASS JAMB

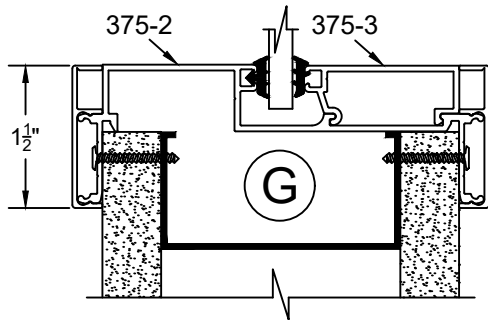
375 WALL SERIES WITH 1.5" TRIM FOR 3 3/4" PARTITION



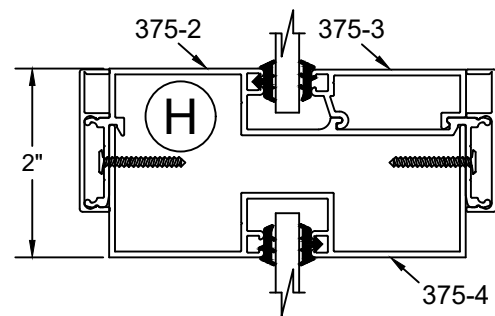
2" SILL



4" SILL

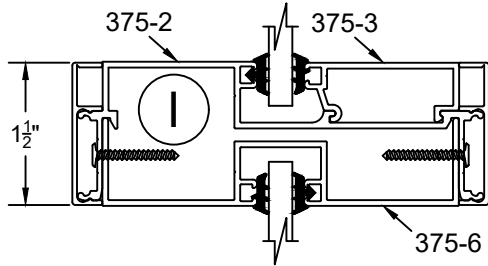


SILL AT WALL

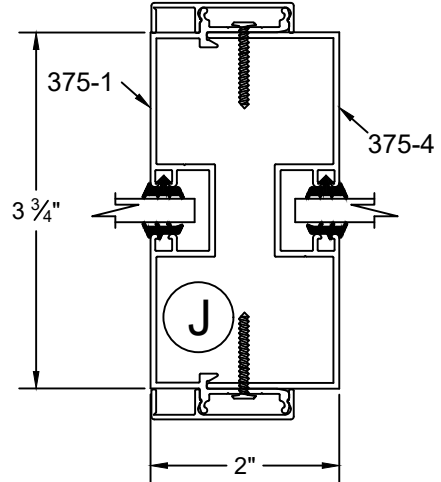


2" HORIZONTAL MULLION

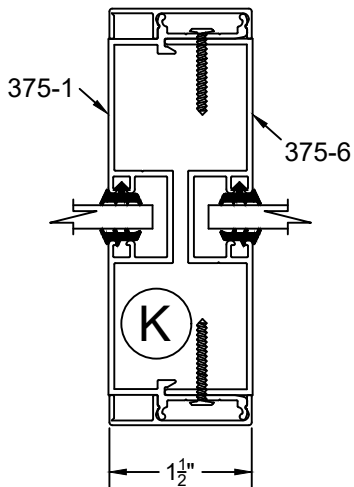
375 WALL SERIES WITH 1.5" TRIM FOR 3 ³/₄" PARTITION



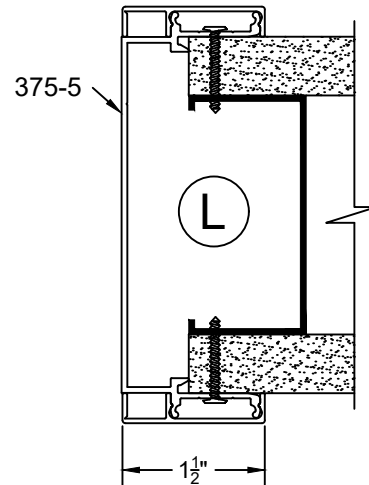
1 ¹/₂" HORIZONTAL MULLION



2" VERTICAL MULLION

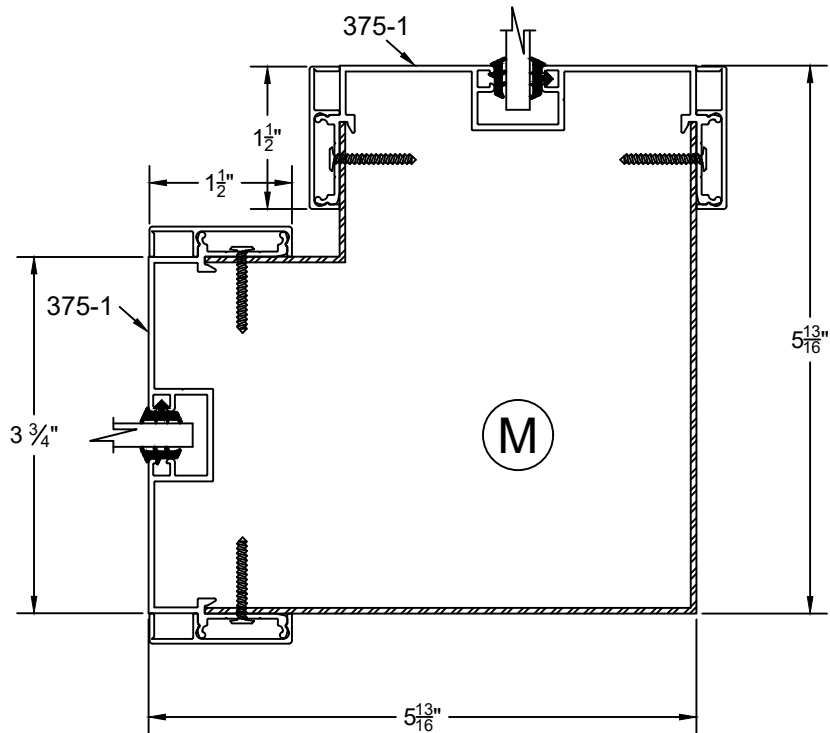


1 ¹/₂" VERTICAL MULLION



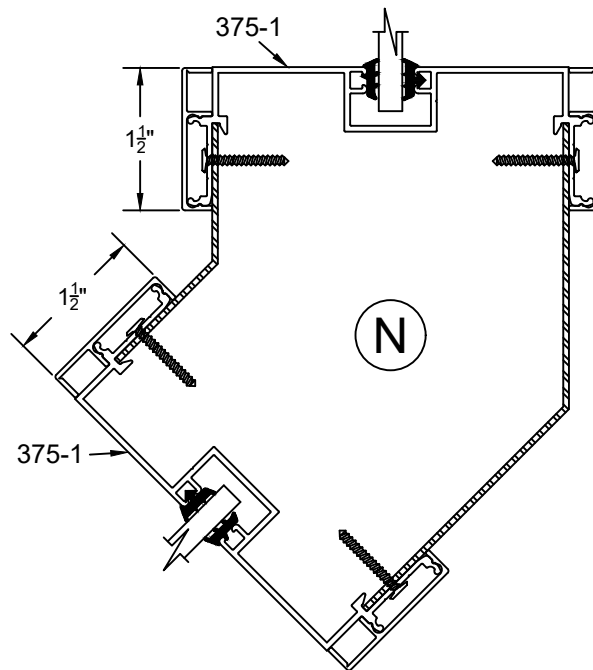
CASED OPENING JAMB

375 WALL SERIES WITH 1.5" TRIM FOR 3 3/4" PARTITION



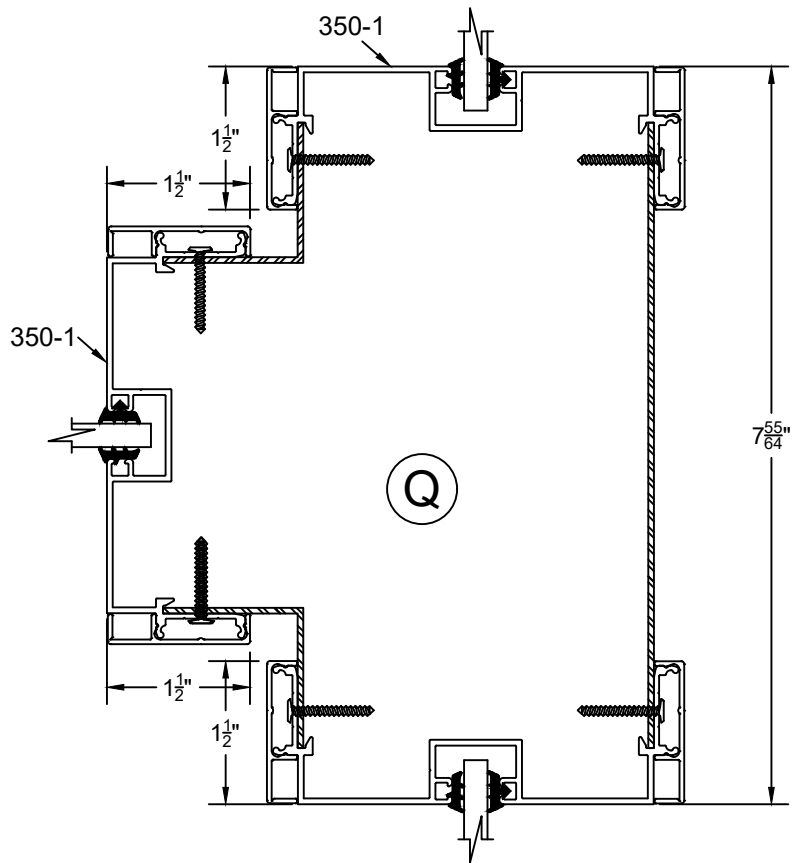
90° CORNER POST

375 WALL SERIES WITH 1.5" TRIM FOR 3 $\frac{3}{4}$ " PARTITION



CUSTOM CORNER POST

375 WALL SERIES WITH 1.5" TRIM FOR 3 $\frac{3}{4}$ " PARTITION



T - POST