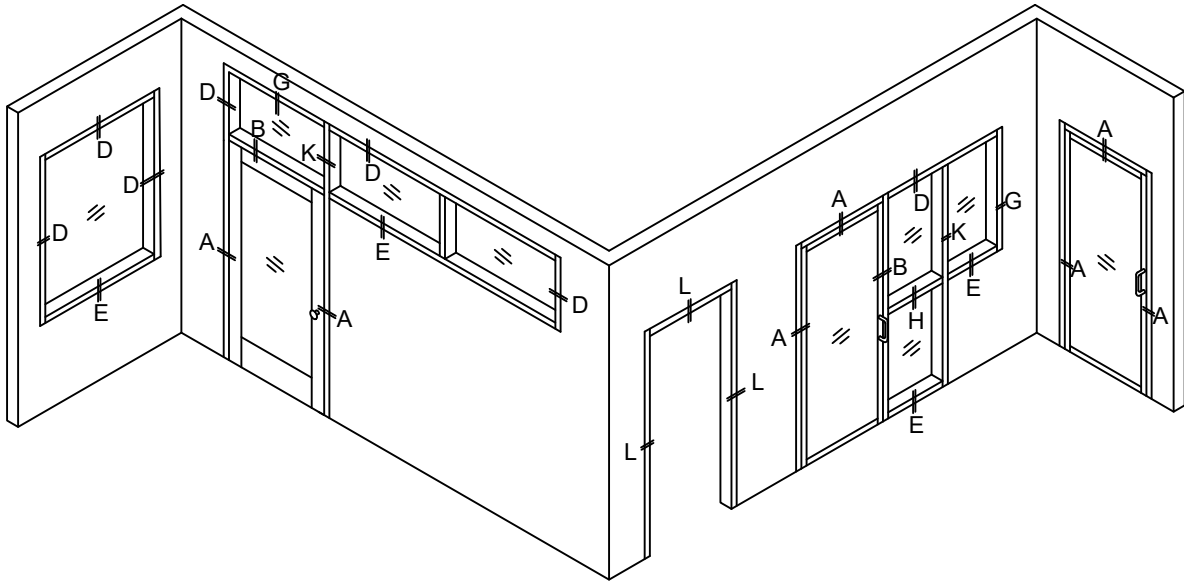
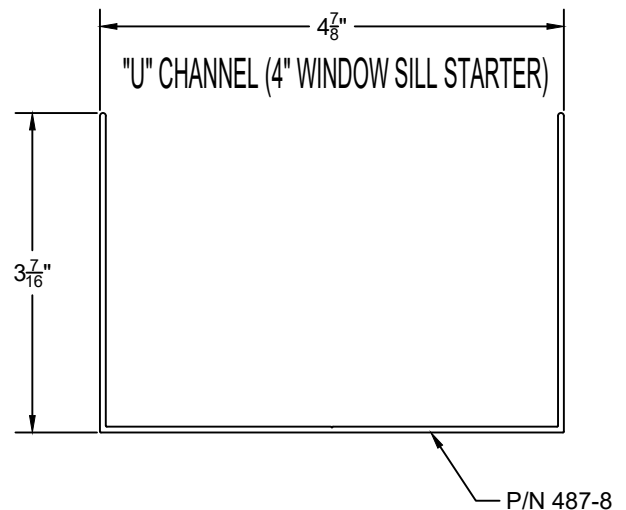
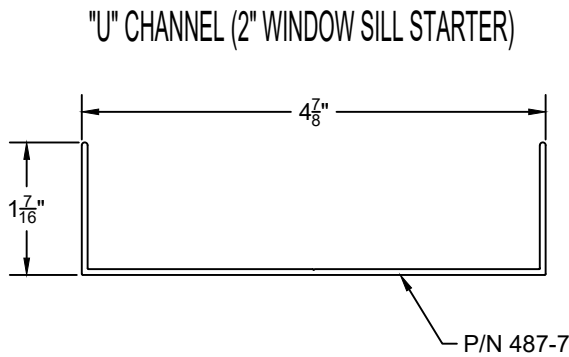
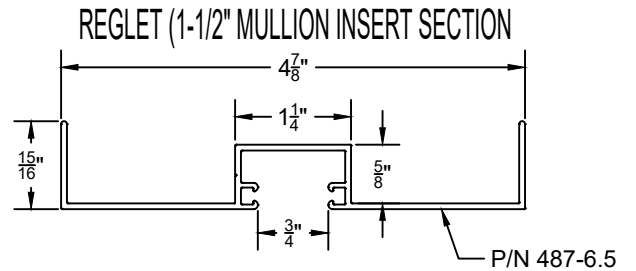
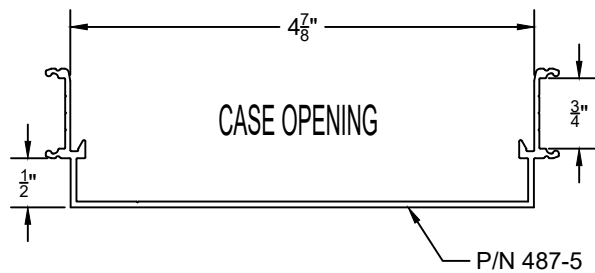
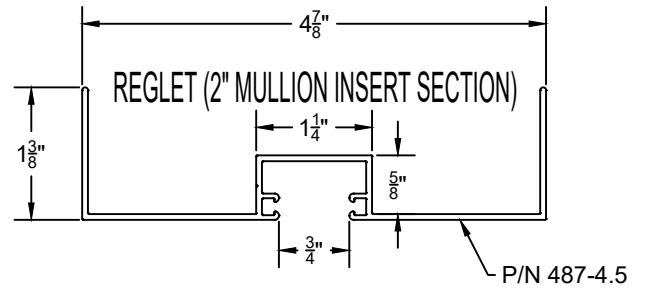
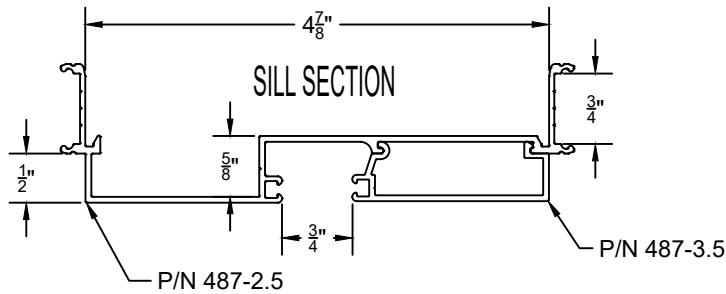
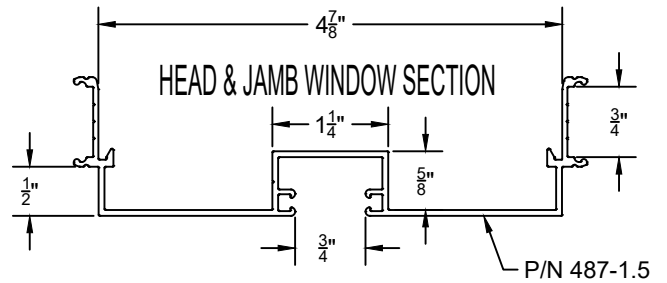
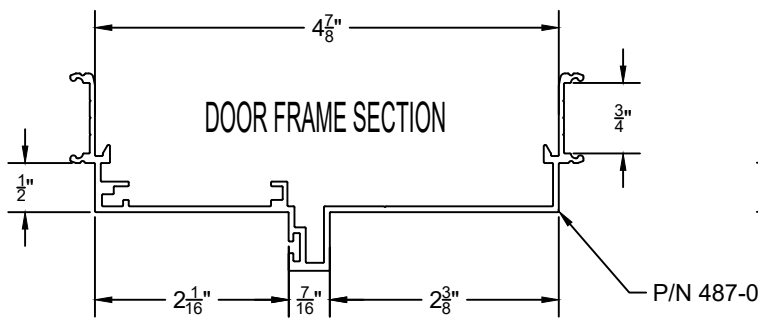


TYPICAL FRAME ELEVATIONS



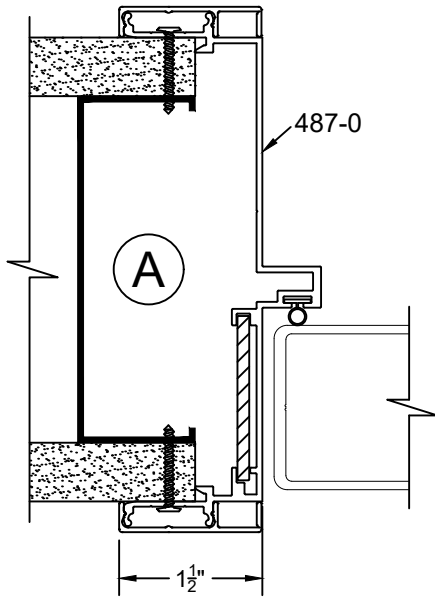
PARTIAL HEIGHT FRAME ELEVATIONS

487 WALL SERIES WITH 1" TRIM FOR 4 7/8" PARTITION

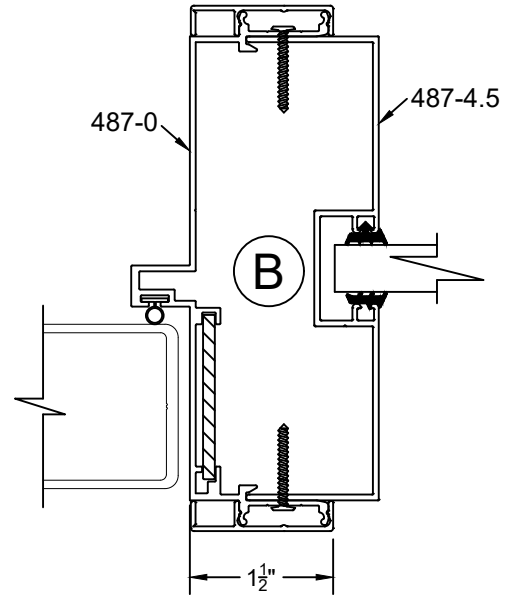


WALL SYSTEM

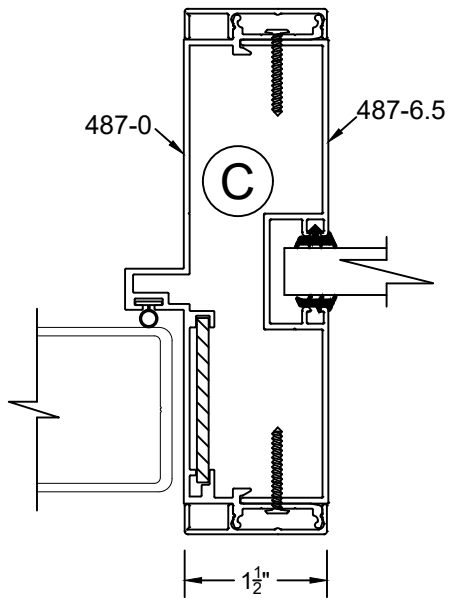
487 WALL SERIES WITH 1.5" TRIM FOR 4 $\frac{7}{8}$ " PARTITION



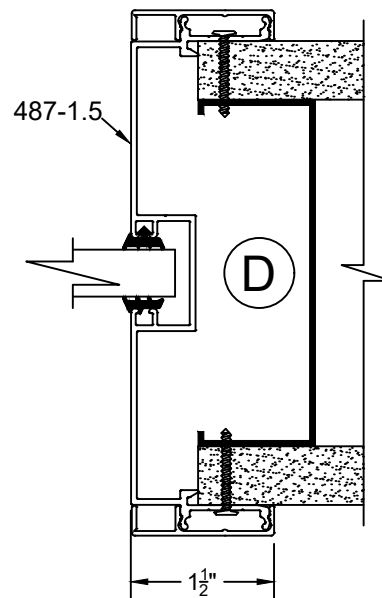
DOOR JAMB



DOOR JAMB WITH SIDELITE
2" MULLION

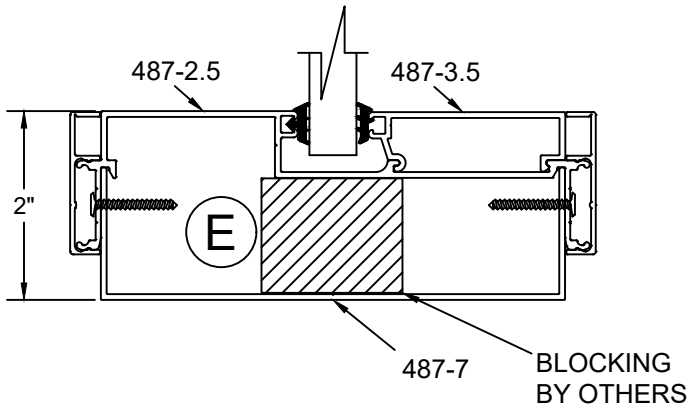


DOOR JAMB WITH SIDELITE
1 $\frac{1}{2}$ " MULLION

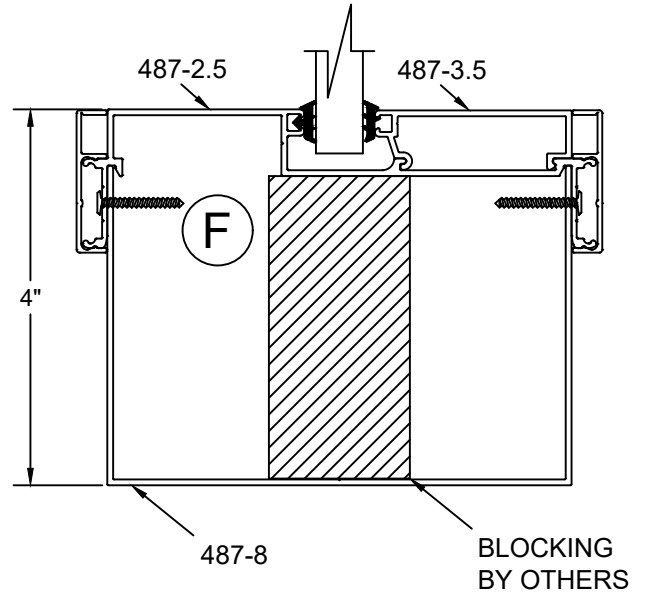


GLASS JAMB

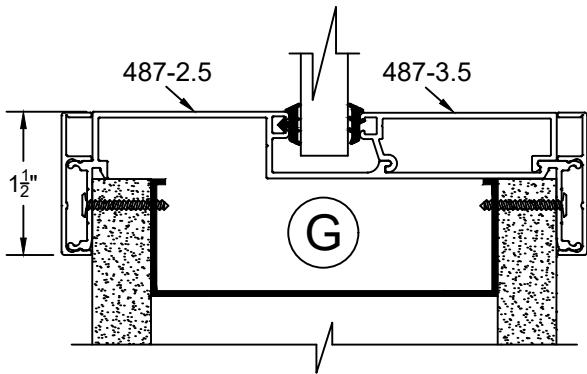
487 WALL SERIES WITH 1.5" TRIM FOR 4 7/8" PARTITION



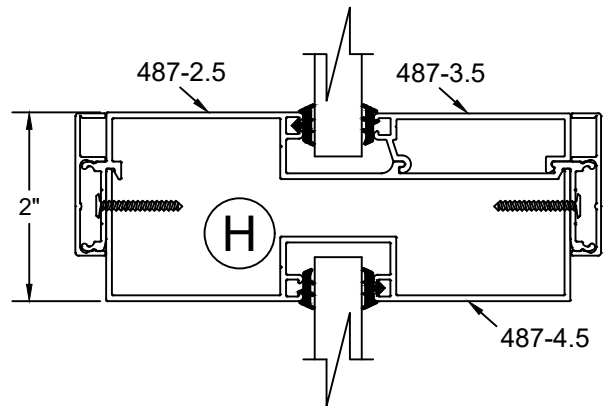
2" SILL



4" SILL

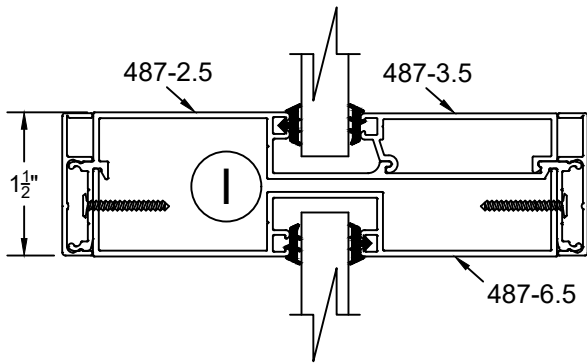


SILL AT WALL

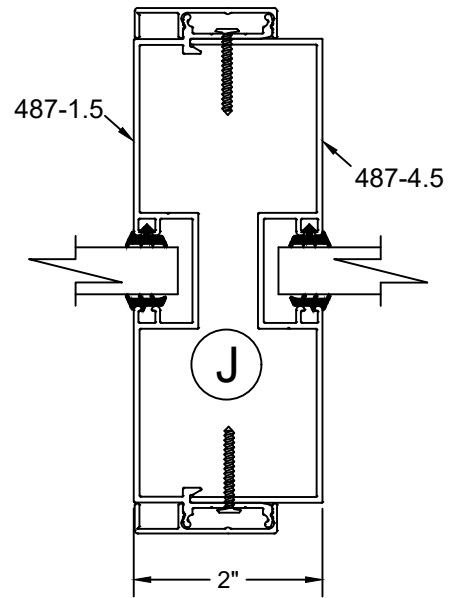


2" HORIZONTAL MULLION

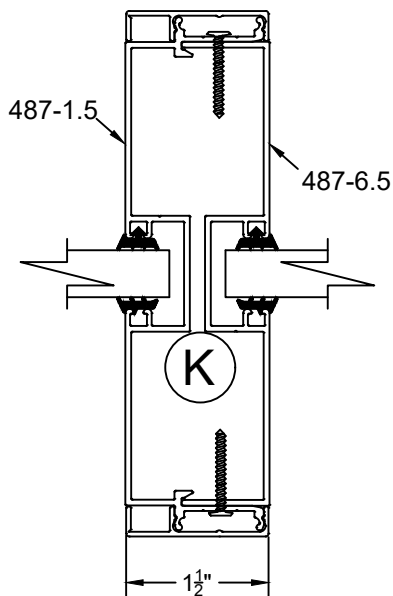
487 WALL SERIES WITH 1.5" TRIM FOR 4 ⁷/₈" PARTITION



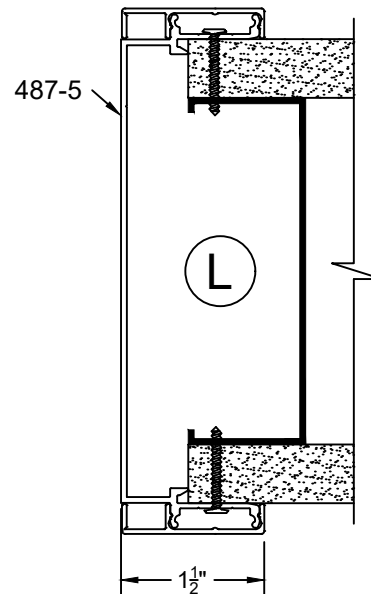
1 1/2" HORIZONTAL MULLION



2" VERTICAL MULLION

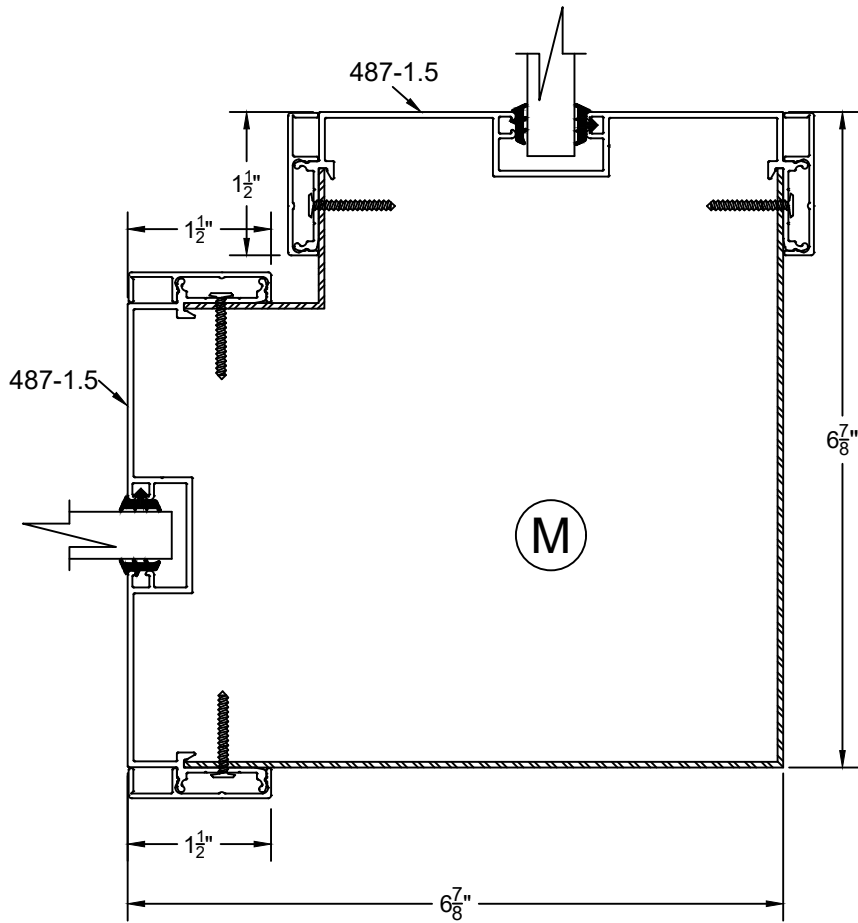


1 1/2" VERTICAL MULLION



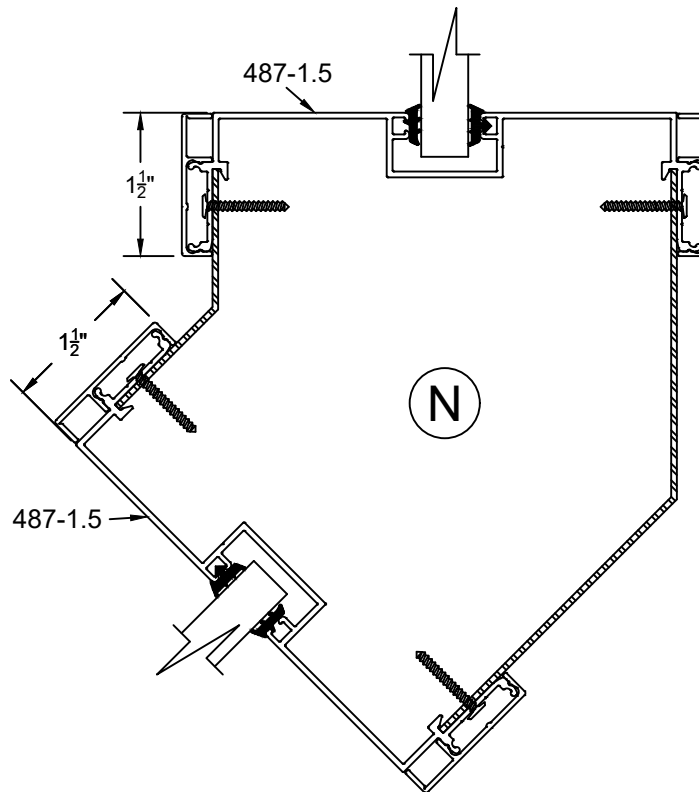
CASED OPENING JAMB

487 WALL SERIES WITH 1.5" TRIM FOR 4 $\frac{7}{8}$ " PARTITION



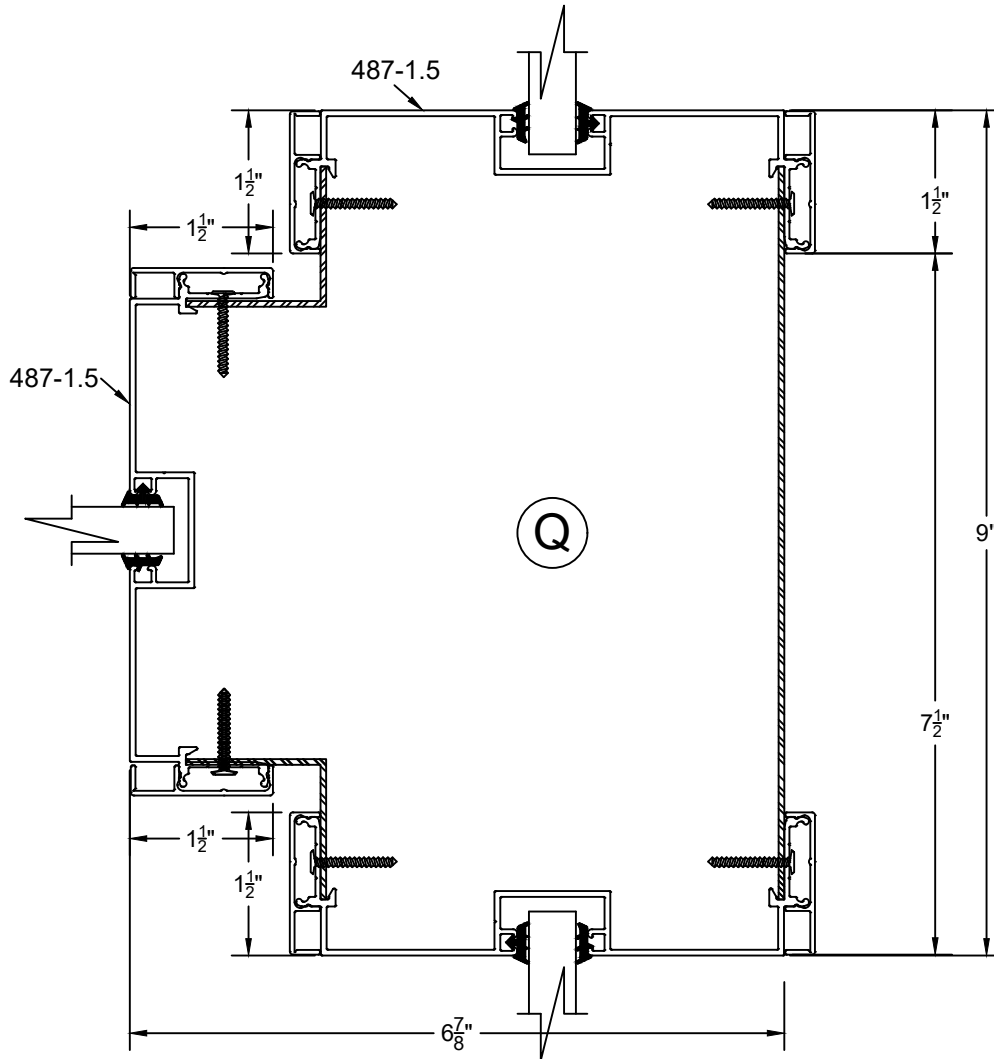
90° CORNER POST

487 WALL SERIES WITH 1.5" TRIM FOR 4 $\frac{7}{8}$ " PARTITION



CUSTOM CORNER POST

487 WALL SERIES WITH 1.5" TRIM FOR 4 $\frac{7}{8}$ " PARTITION



T - POST