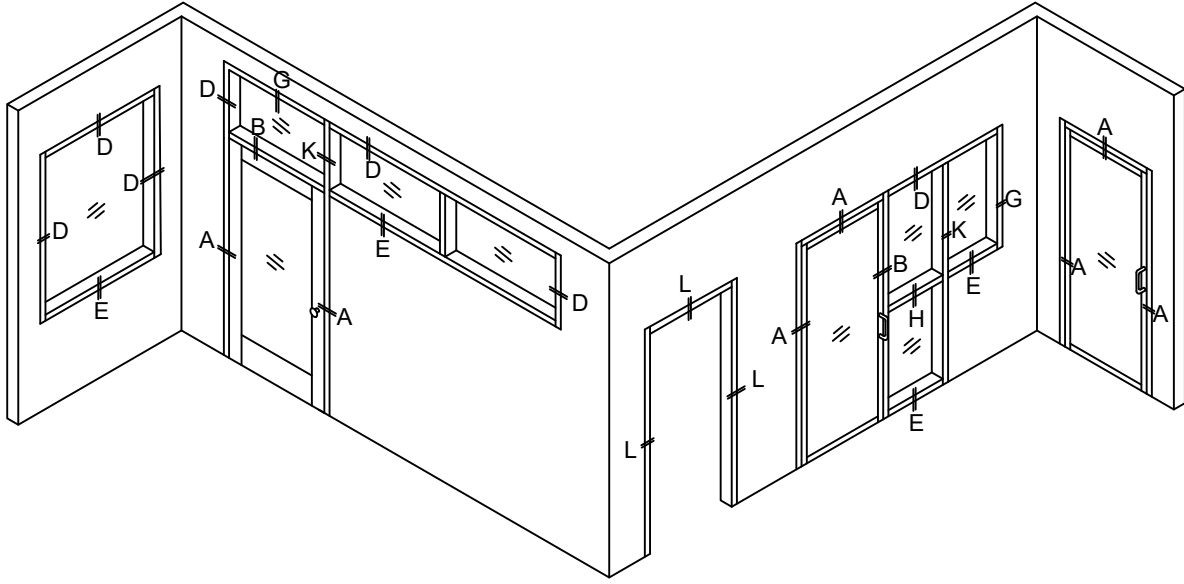
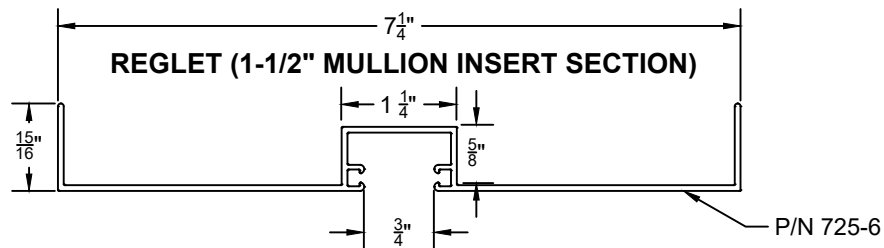
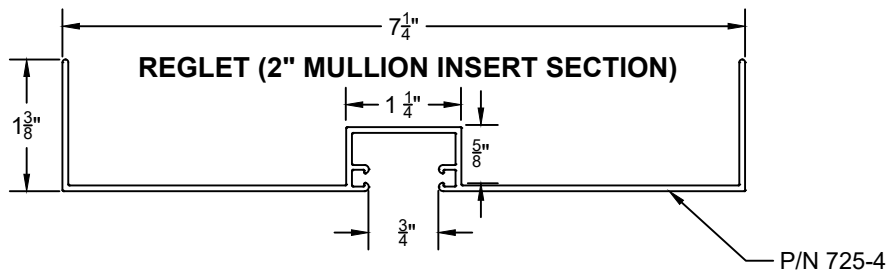
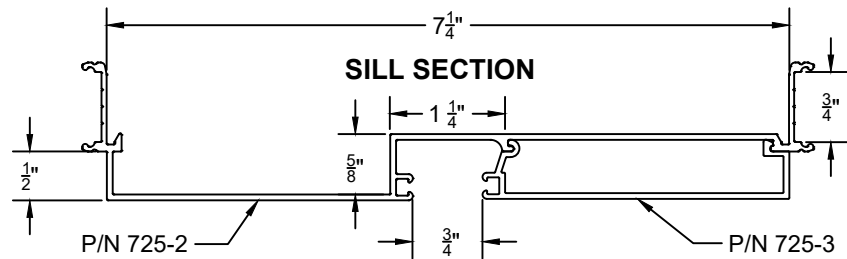
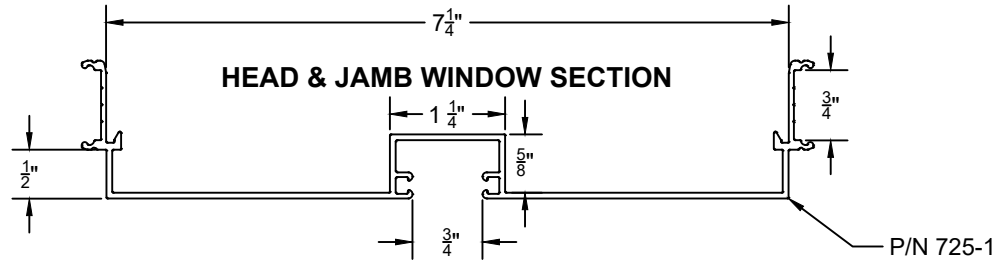
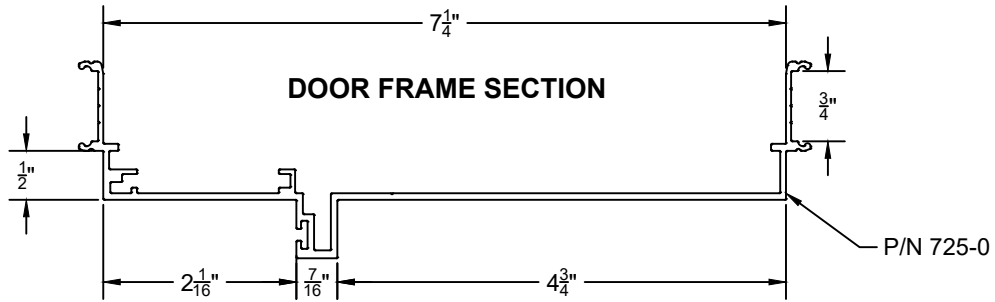


TYPICAL FRAME ELEVATIONS



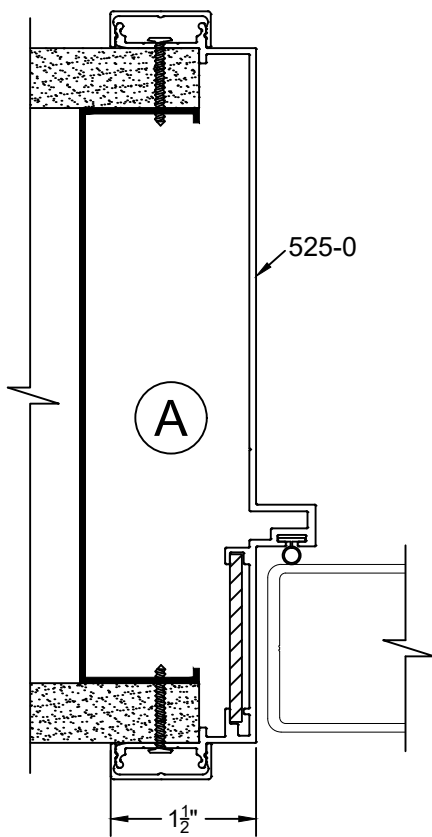
PARTIAL HEIGHT FRAME ELEVATIONS

725 WALL SERIES FOR 7¹/₄" PARTITION

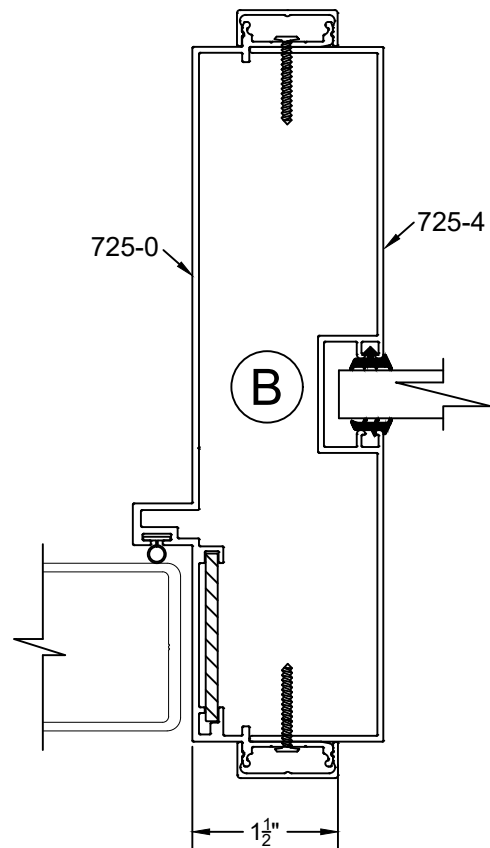


WALL SYSTEM

725 WALL SERIES WITH 1" TRIM FOR 7 $\frac{1}{4}$ " PARTITION

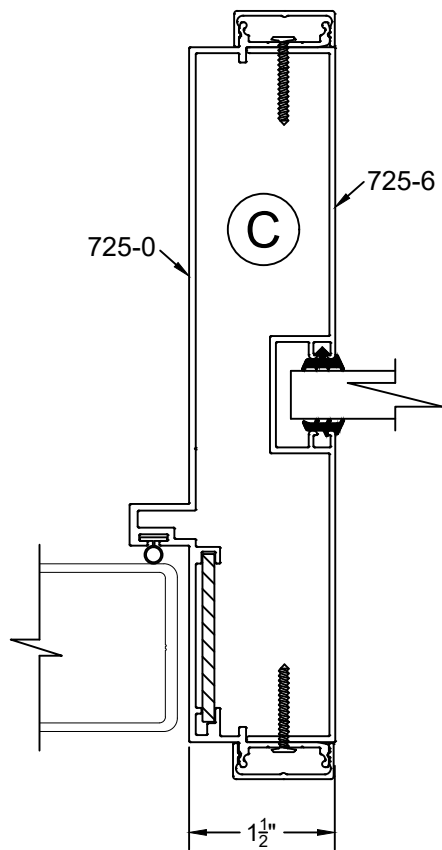


DOOR JAMB

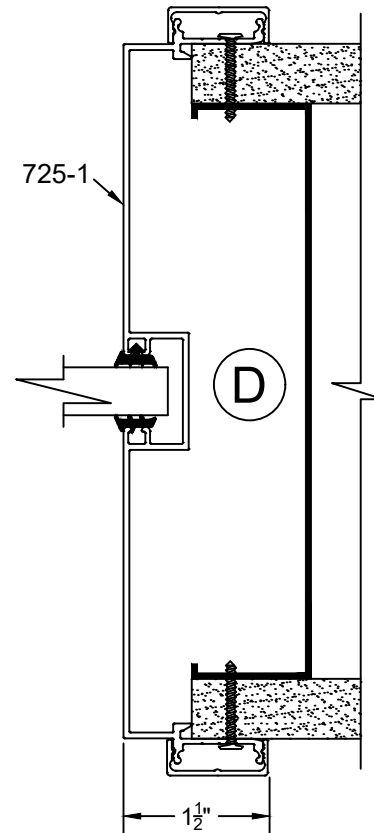


DOOR JAMB WITH SIDELITE
2" MULLION

725 WALL SERIES WITH 1" TRIM FOR 7 $\frac{1}{4}$ " PARTITION

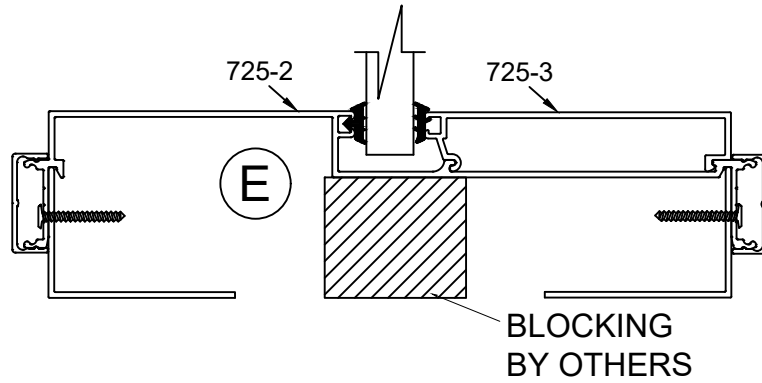


DOOR JAMB WITH SIDELITE
1 $\frac{1}{2}$ " MULLION

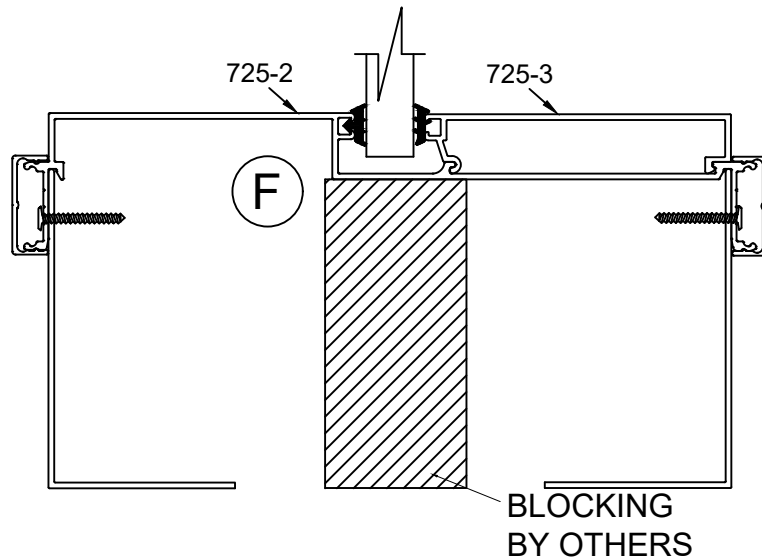


GLASS JAMB

725 WALL SERIES WITH 1" TRIM FOR 7 $\frac{1}{4}$ " PARTITION

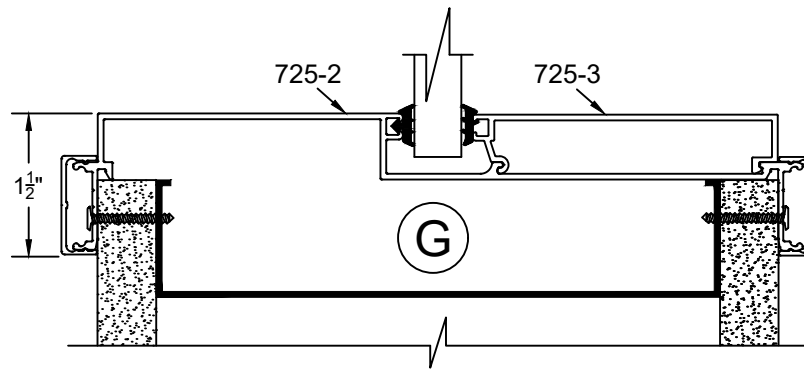


2" SILL

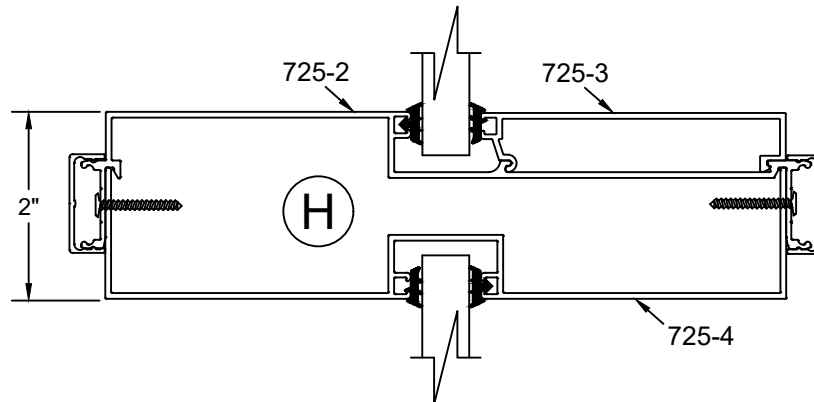


4" SILL

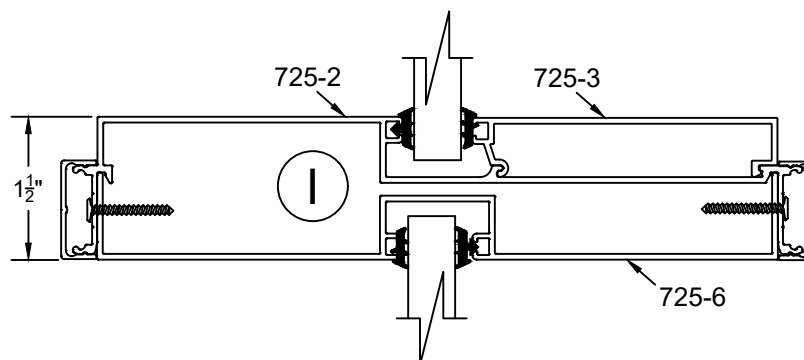
725 WALL SERIES WITH 1" TRIM FOR 7 $\frac{1}{4}$ " PARTITION



SILL AT WALL

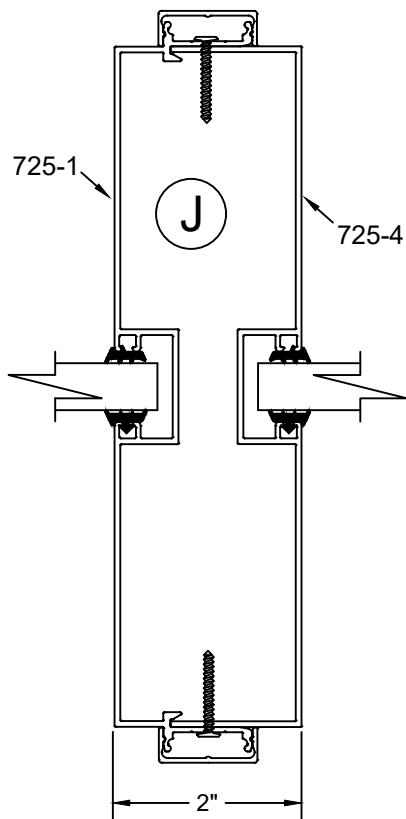


2" HORIZONTAL MULLION

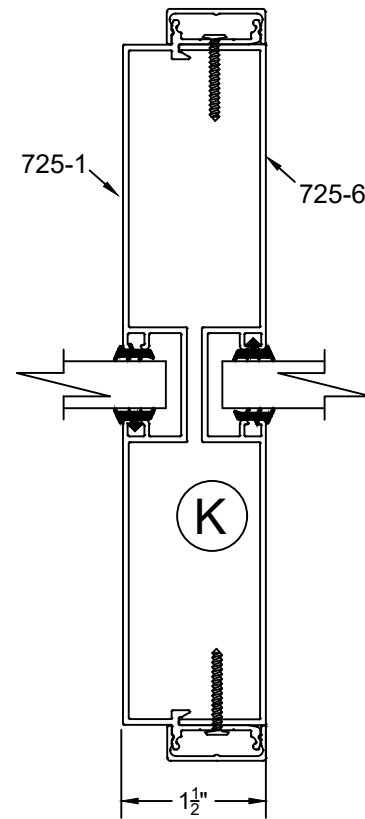


1 $\frac{1}{2}$ " HORIZONTAL MULLION

725 WALL SERIES WITH 1" TRIM FOR 7 $\frac{1}{4}$ " PARTITION

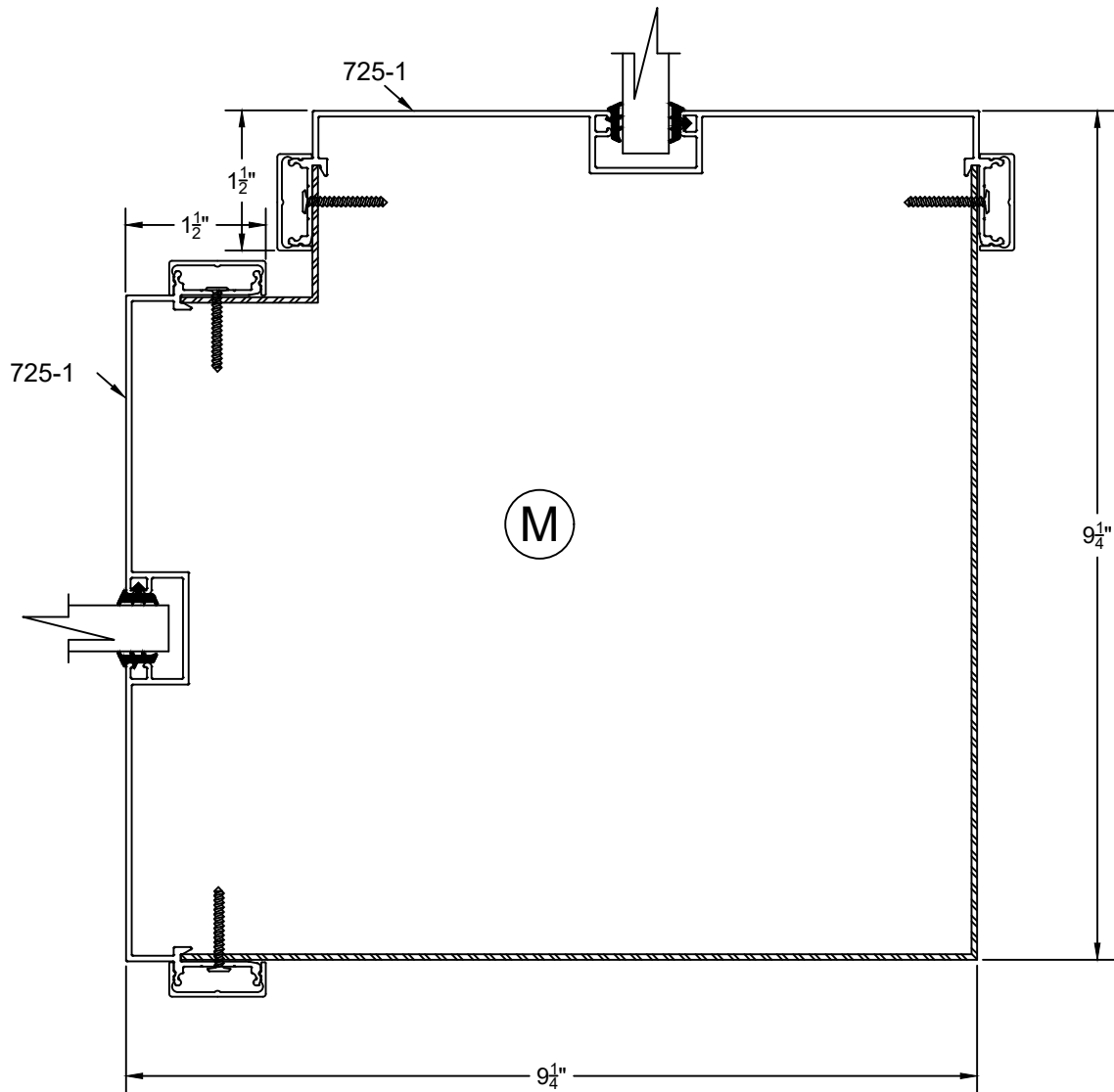


2" VERTICAL MULLION



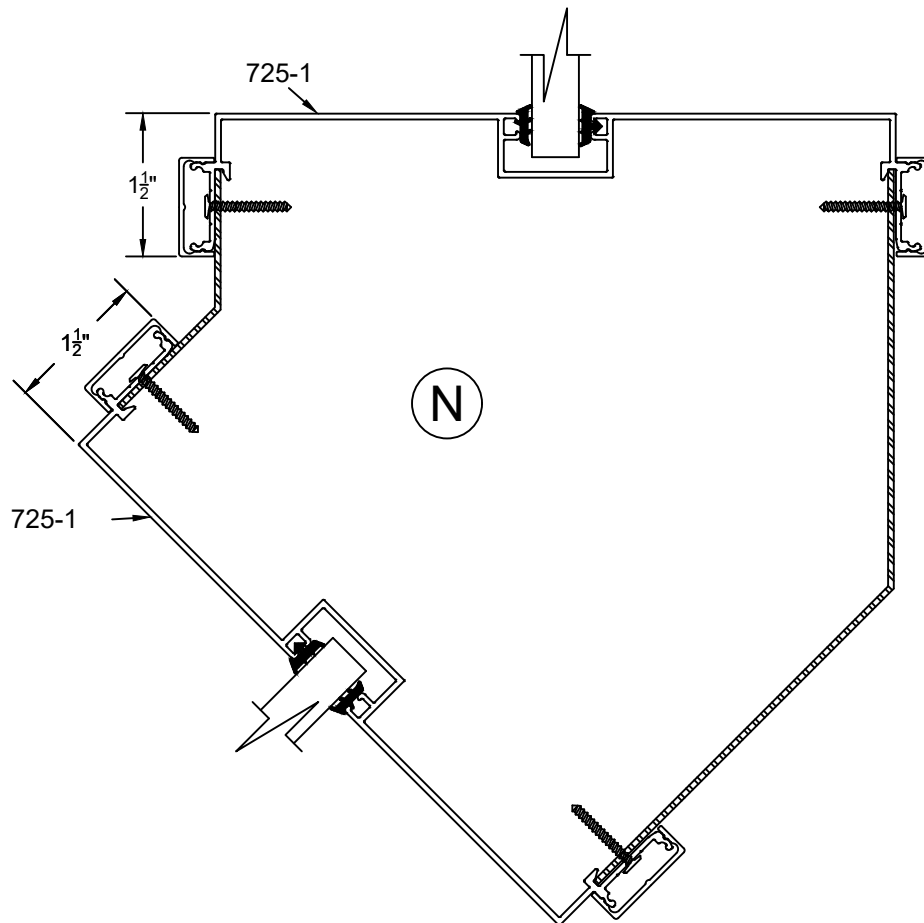
1 $\frac{1}{2}$ " VERTICAL MULLION

725 WALL SERIES WITH 1" TRIM FOR 7 $\frac{1}{4}$ " PARTITION



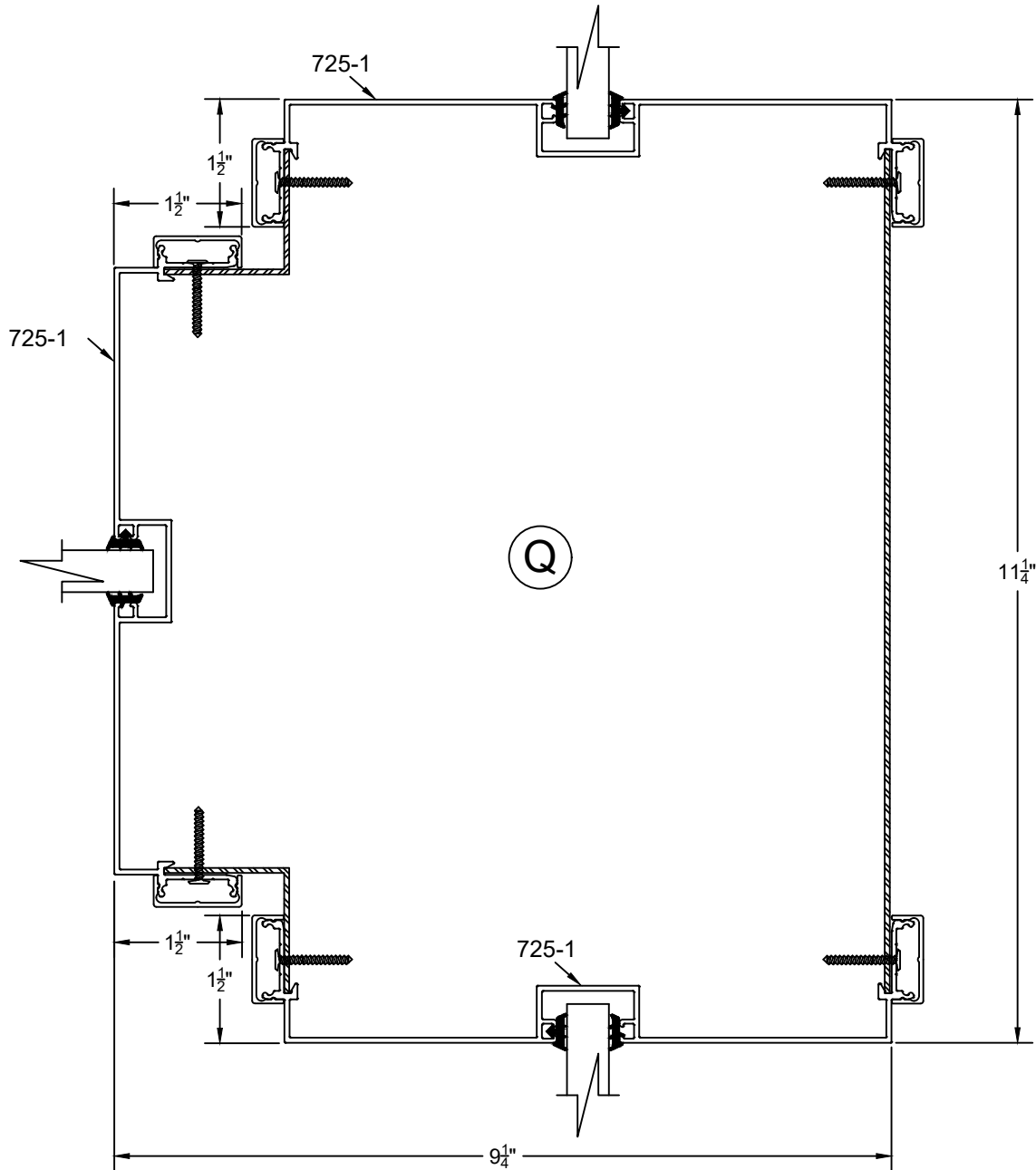
90° CORNER POST

725 WALL SERIES WITH 1" TRIM FOR 7 $\frac{1}{4}$ " PARTITION



CUSTOM CORNER POST

725 WALL SERIES WITH 1" TRIM FOR 7 $\frac{1}{4}$ " PARTITION



T - POST