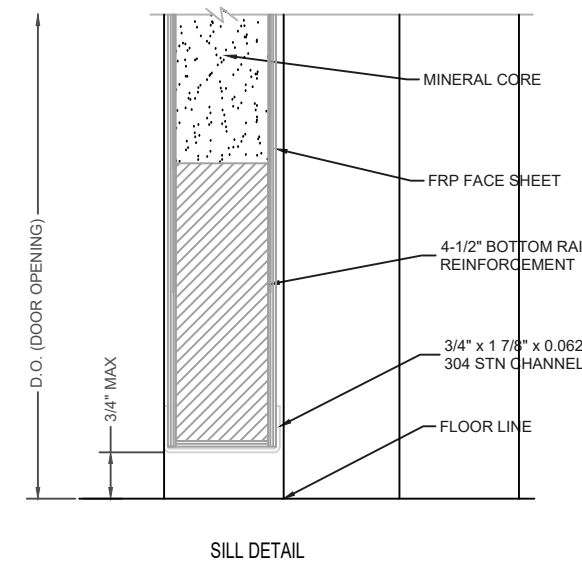
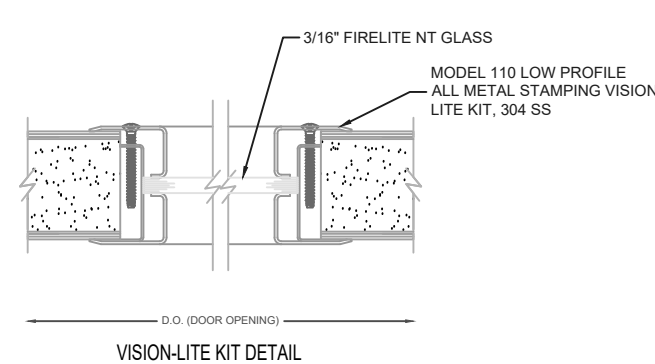
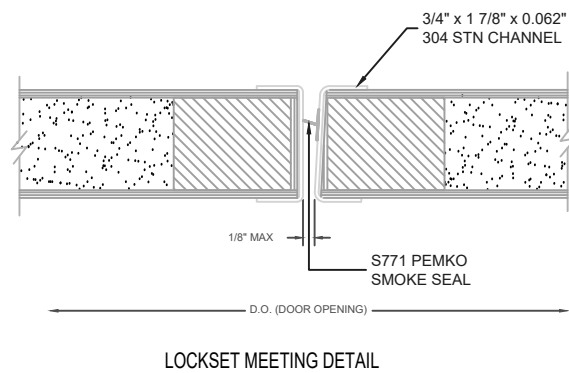
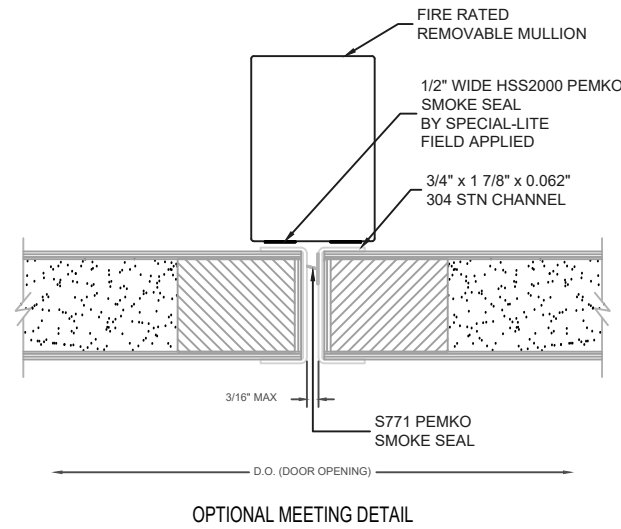
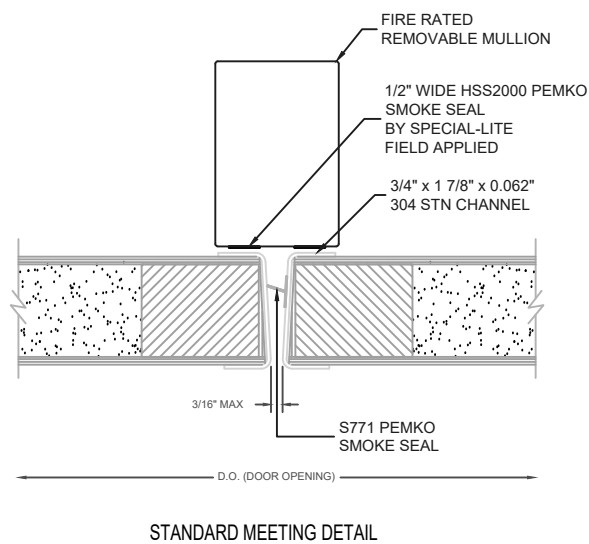
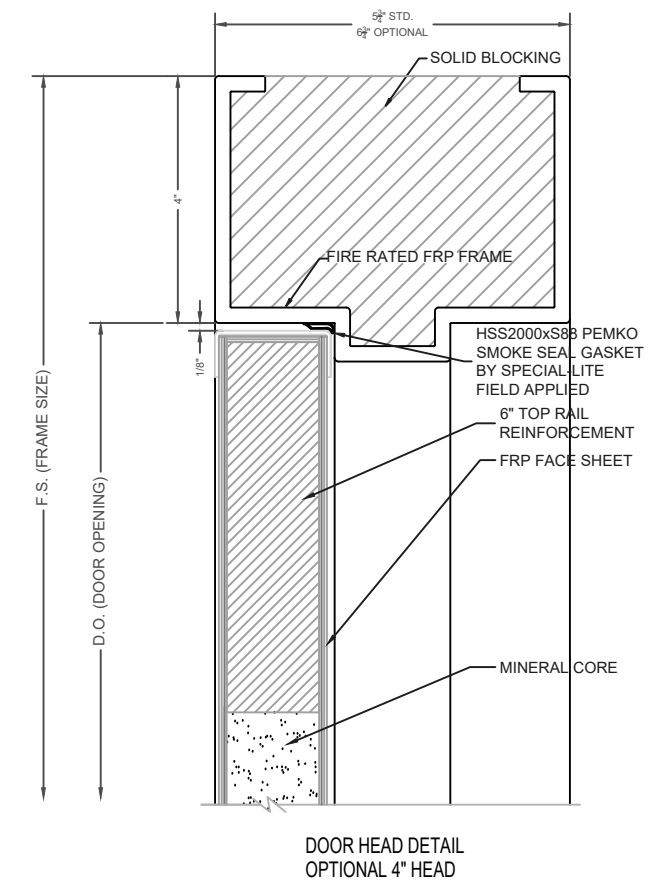
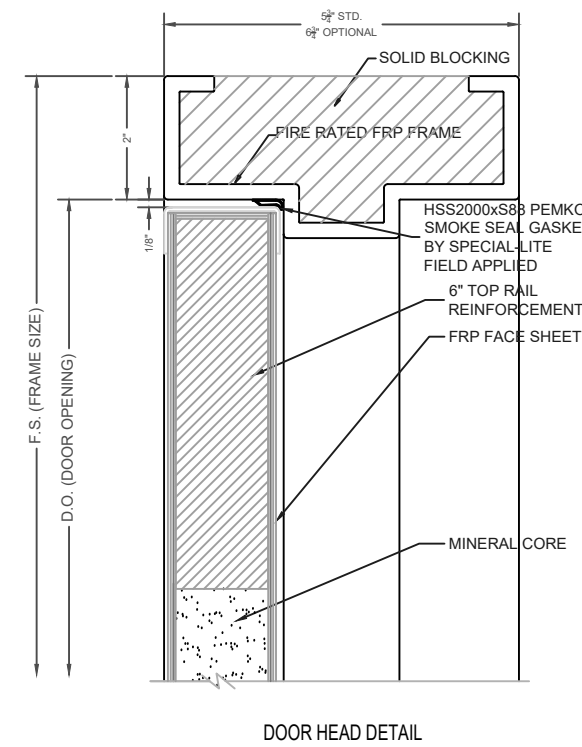
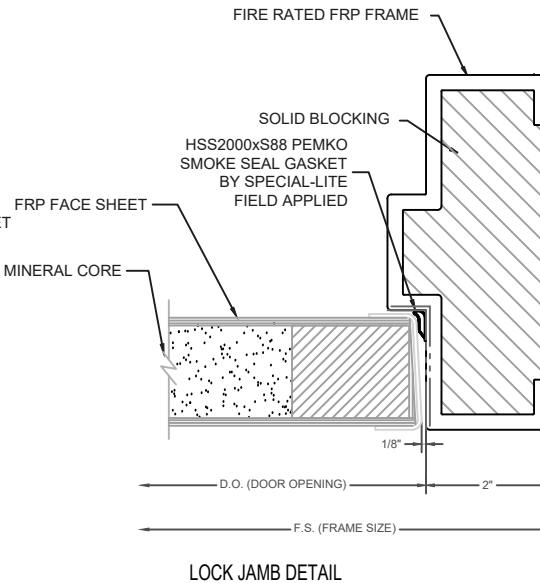
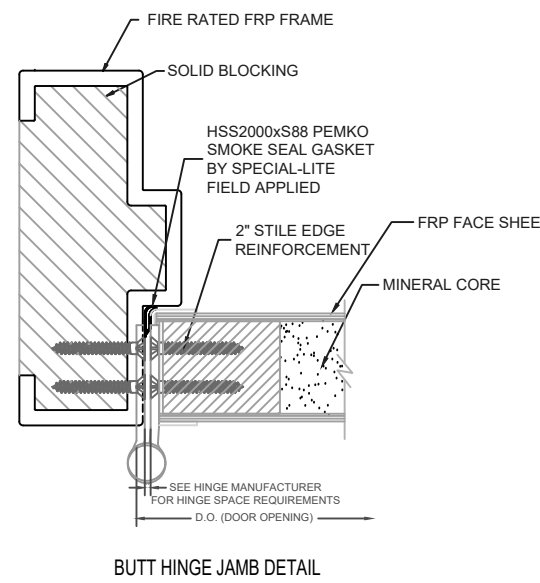
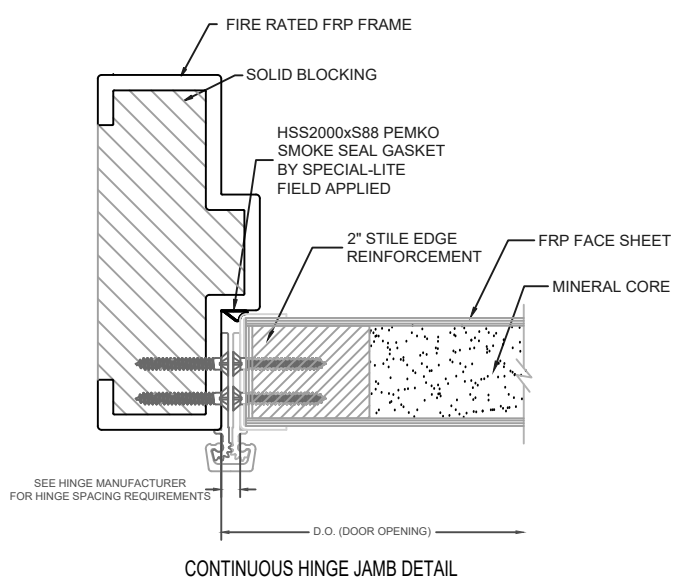



***All hardware preps and modifications to doors must be done in accordance with NFPA 80-16**
***Fiberglass Framing by Special-Lite Rated for 45 Minutes Only**



SL-17FR	PEBBLE GRAIN FRP FACE SHEET
SL-19FR	RUSTIC WOOD GRAIN FRP FACE SHEET
SL-19-1FR	CONTEMPORARY WOOD GRAIN FRP FACE SHEET
SL-20FR	SANDSTONE FRP FACE SHEET

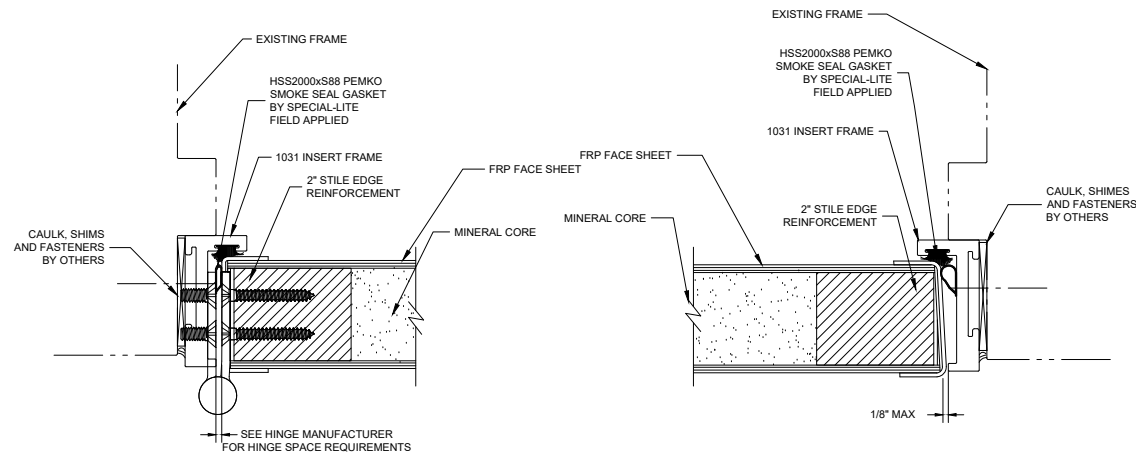


Special-Lite

SPECIAL-LITE, INC.
 860 South Williams Street
 P.O. BOX 6
 DECATUR, MI 48045
WWW.SPECIAL-LITE.COM

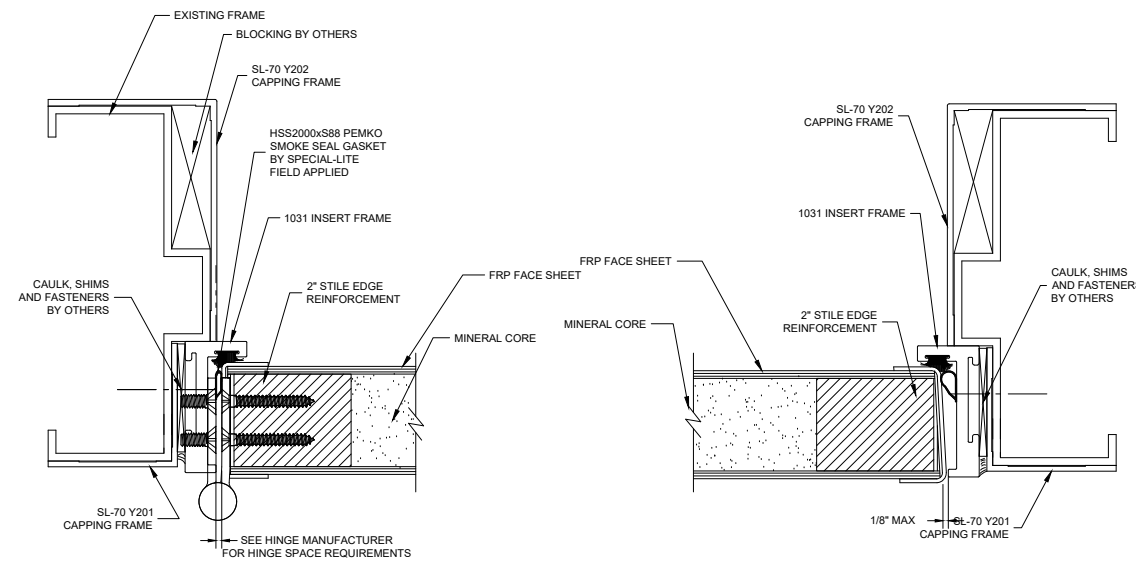
DRAWN BY: JMM	SL-FR FIRE RATED FIBERGLASS DOOR WITH AF-FR FRAME		
REVISION			
H 10/18/21 J 1/10/22			
I 11/1/21 K			
DATE: 5/30/2017	SHEET NO. 1 OF 3	FILE: SL-FR DETAILS	

***All hardware preps and modifications to doors must be done in accordance with NFPA 80-16**



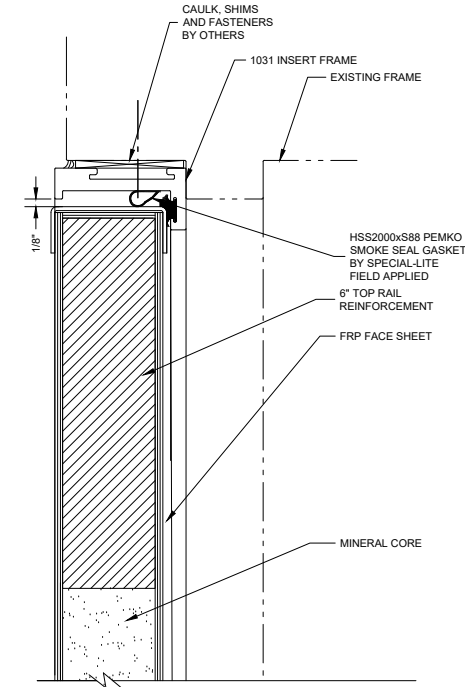
BUTT HINGE JAMB DETAIL

LOCK JAMB DETAIL

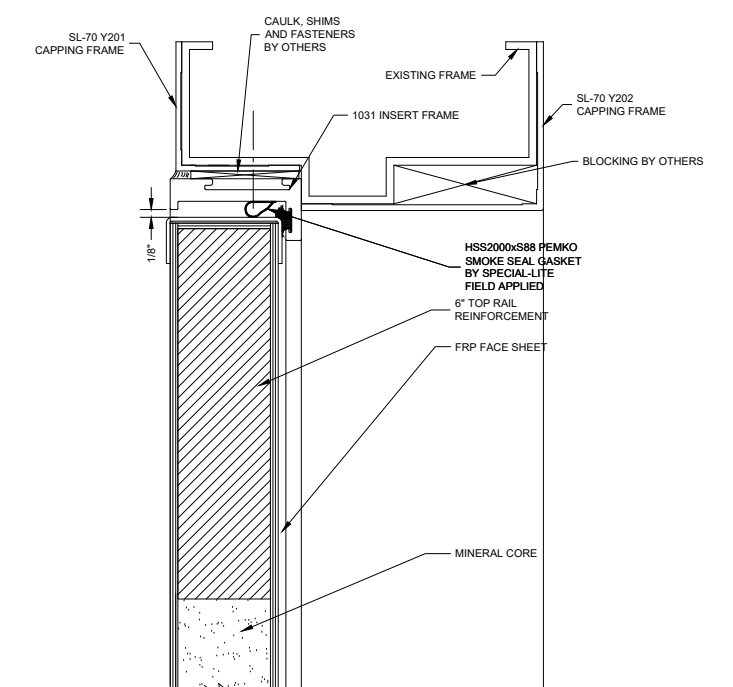


BUTT HINGE JAMB DETAIL WITH CAPPING

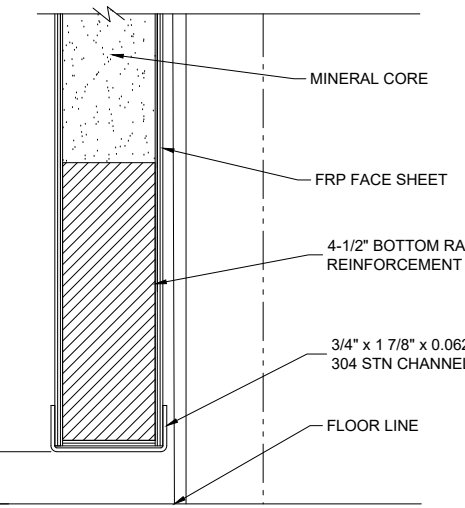
LOCK JAMB DETAIL WITH CAPPING



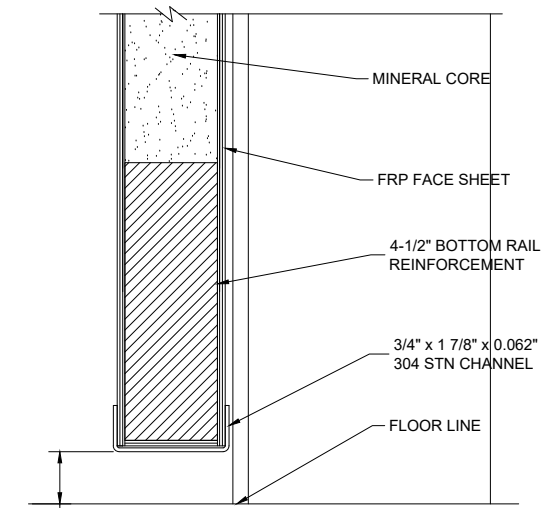
HEAD DETAIL



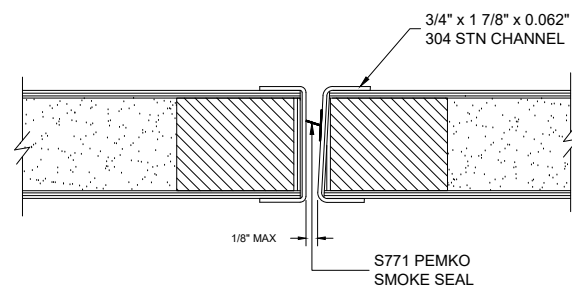
HEAD DETAIL WITH CAPPING



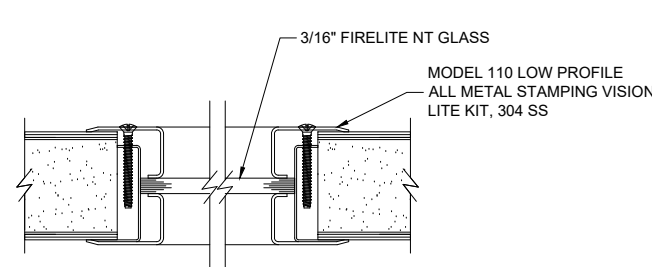
SILL DETAIL



SILL DETAIL WITH CAPPING




LOCKSET MEETING DETAIL



VISION-LITE KIT DETAIL

SL-17FR	PEBBLE GRAIN FRP FACE SHEET
SL-19FR	RUSTIC WOOD GRAIN FRP FACE SHEET
SL-19-1FR	CONTEMPORARY WOOD GRAIN FRP FACE SHEET
SL-20FR	SANDSTONE FRP FACE SHEET

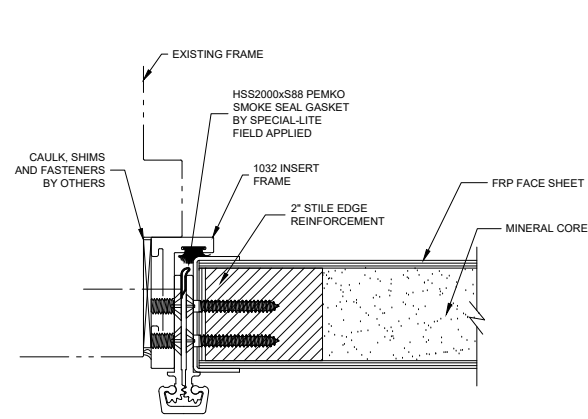


Special-Lite

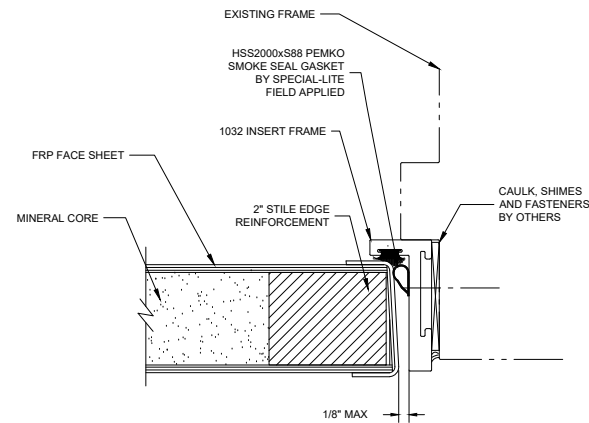
SPECIAL-LITE, INC.
 860 South Williams Street
 P.O. BOX 6
 DECATUR, MI 49045
WWW.SPECIAL-LITE.COM

DRAWN BY: JMM		SL-FR FIRE RATED FIBERGLASS DOOR WITH 1031 INSERT FRAME	
REVISION		WITHOUT & WITH CAPPING FRAME	
A 10/18/21	B 11/1/21	DATE: 10/18/2021	SHEET NO. 2 OF 3
C	D		FILE:SL-FR DETAILS

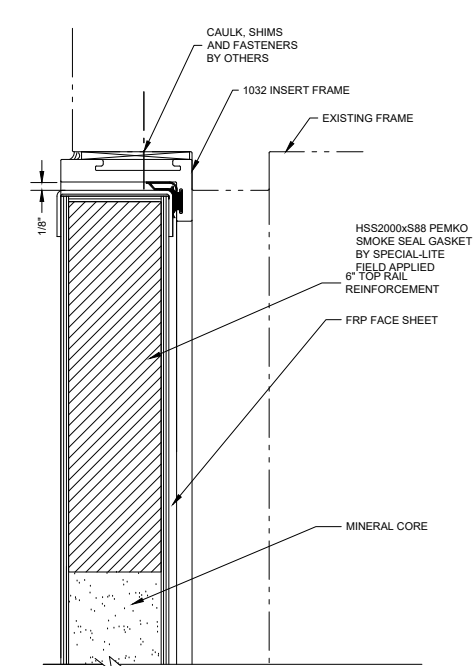
*All hardware preps and modifications to doors must be done in accordance with NFPA 80-16



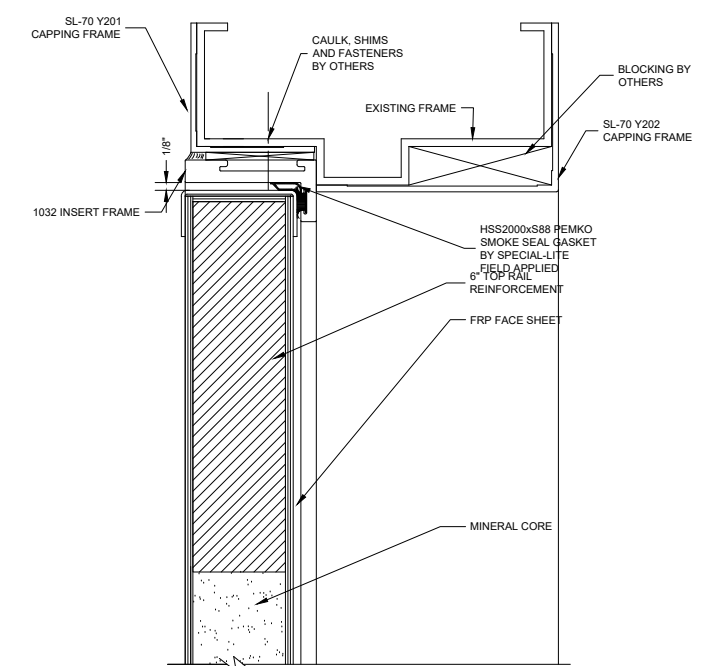
CONTINUOUS HINGE JAMB DETAIL



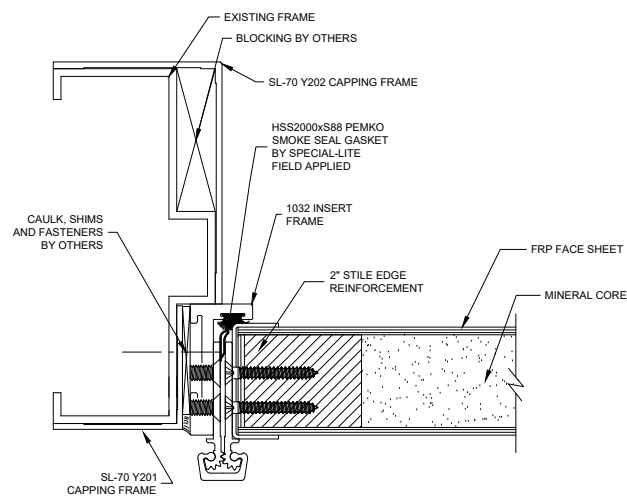
LOCK JAMB DETAIL



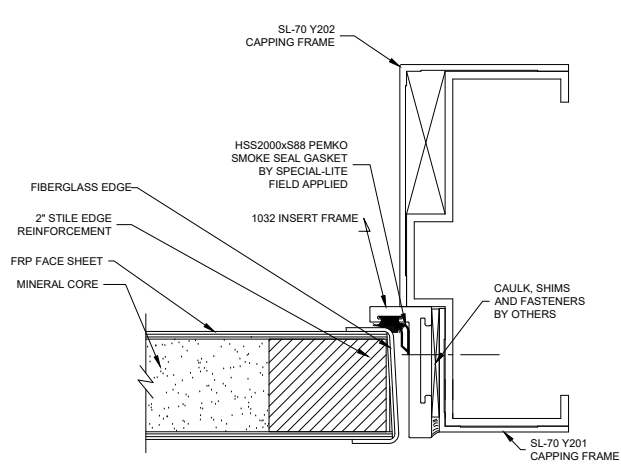
HEAD DETAIL



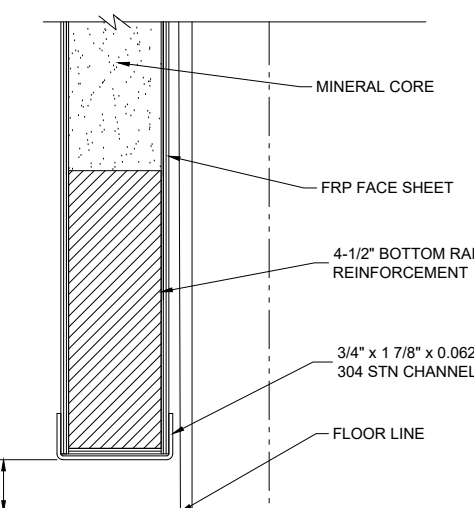
HEAD DETAIL WITH CAPPING



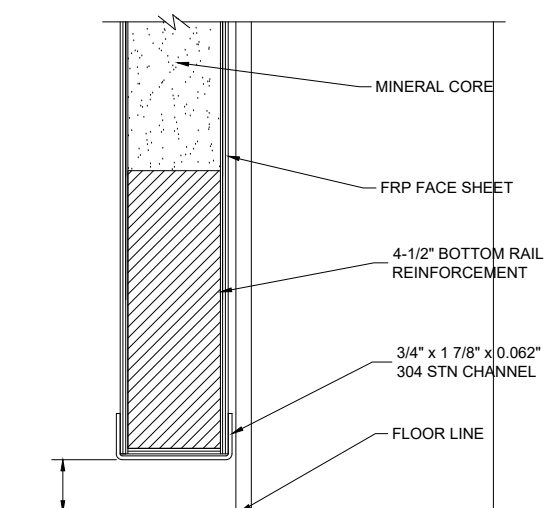
CONTINUOUS HINGE JAMB DETAIL WITH CAPPING



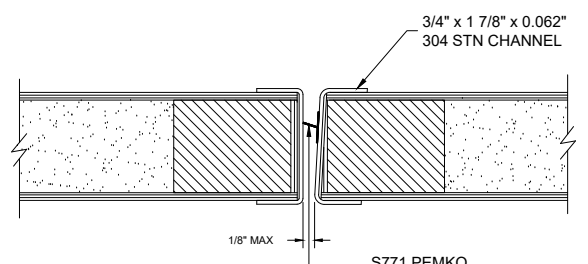
LOCK JAMB DETAIL WITH CAPPING



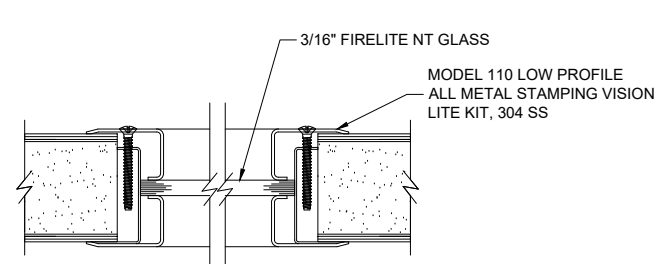
SILL DETAIL



SILL DETAIL WITH CAPPING




LOCKSET MEETING DETAIL



VISION-LITE KIT DETAIL

SL-17FR	PEBBLE GRAIN FRP FACE SHEET
SL-19FR	RUSTIC WOOD GRAIN FRP FACE SHEET
SL-19-1FR	CONTEMPORARY WOOD GRAIN FRP FACE SHEET
SL-20FR	SANDSTONE FRP FACE SHEET



Special-Lite

SPECIAL-LITE, INC.
 860 South Williams Street
 P.O. BOX 6
 DECATUR, MI 49045
WWW.SPECIAL-LITE.COM

DRAWN BY: JMM		SL-FR FIRE RATED FIBERGLASS DOOR WITH 1032 INSERT FRAME	
REVISION		WITHOUT & WITH CAPPING FRAME	
A 10/18/21	B 11/1/21	DATE: 10/18/2021	SHEET NO. 3 OF 3
C	D		FILE: SL-FR DETAILS