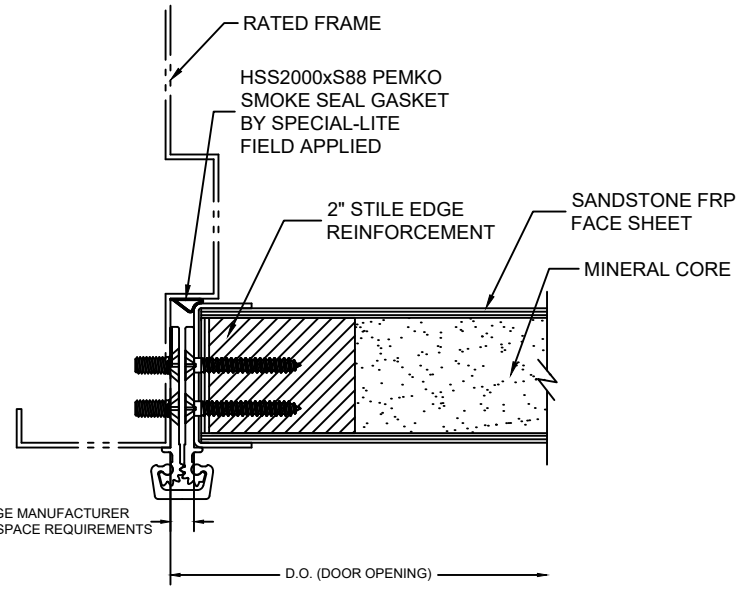
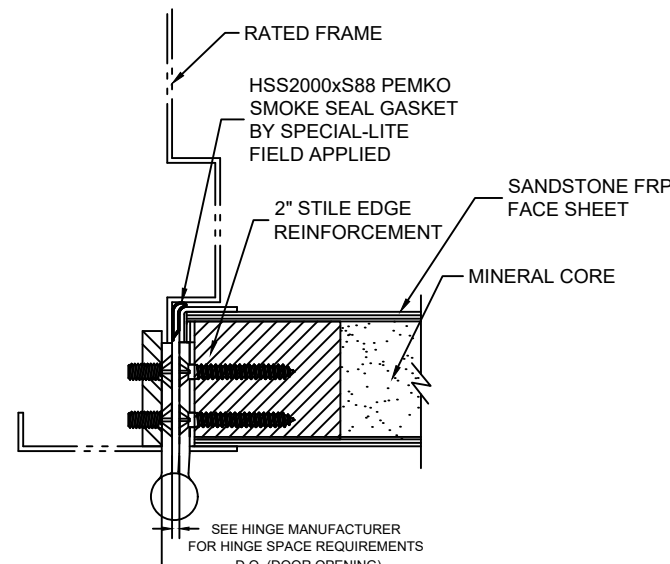


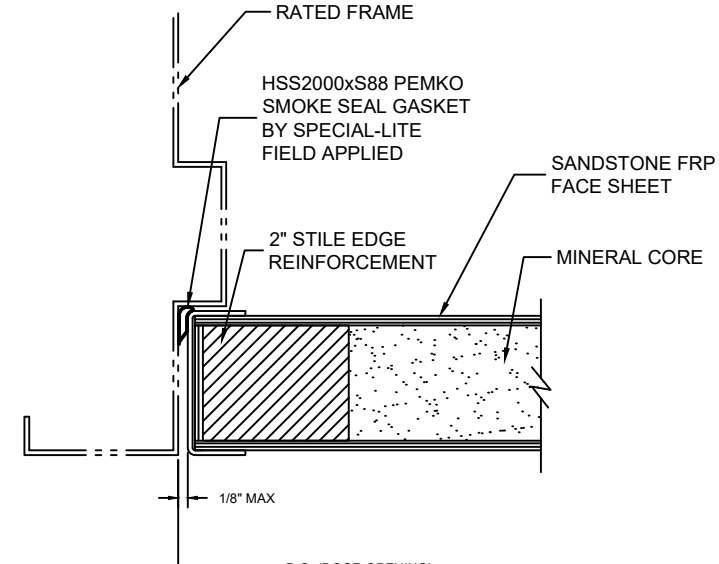
***All hardware preps and modifications to doors must be done in accordance with NFPA 80-16**



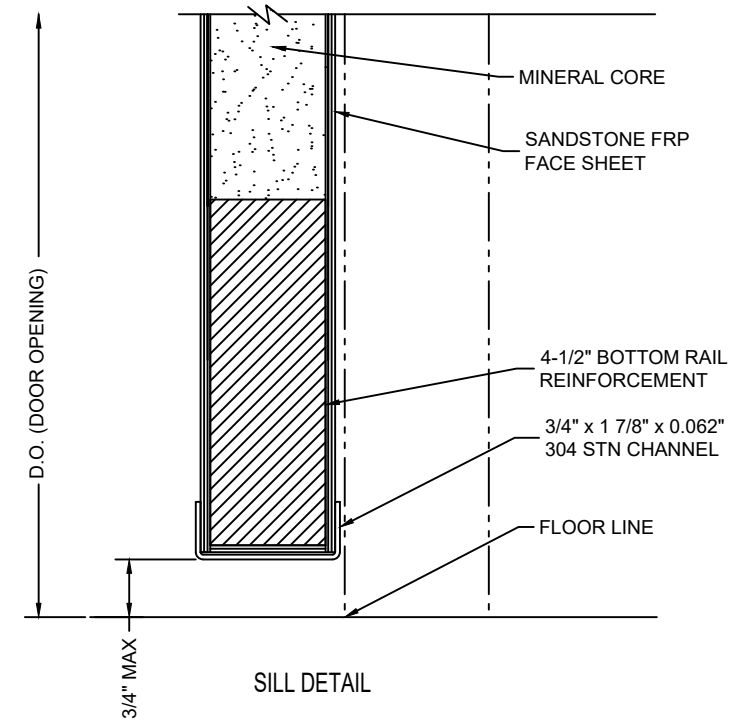
CONTINUOUS HINGE JAMB DETAIL



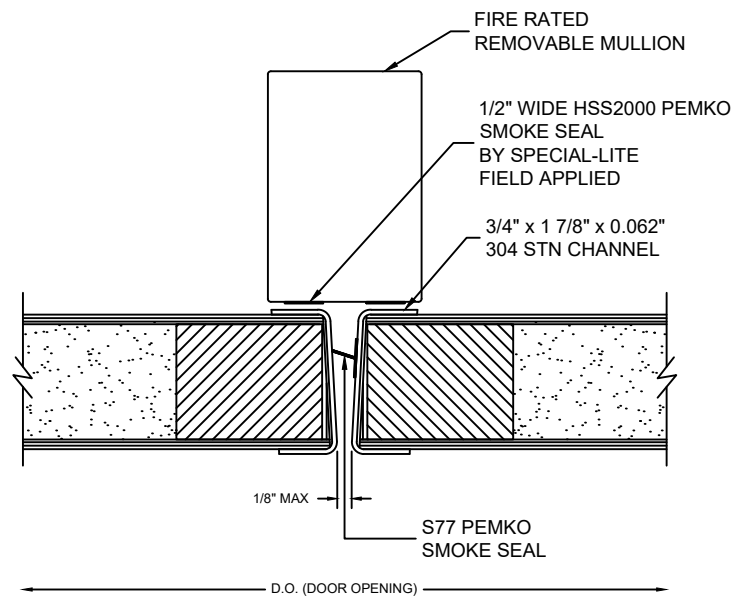
BUTT HINGE JAMB DETAIL



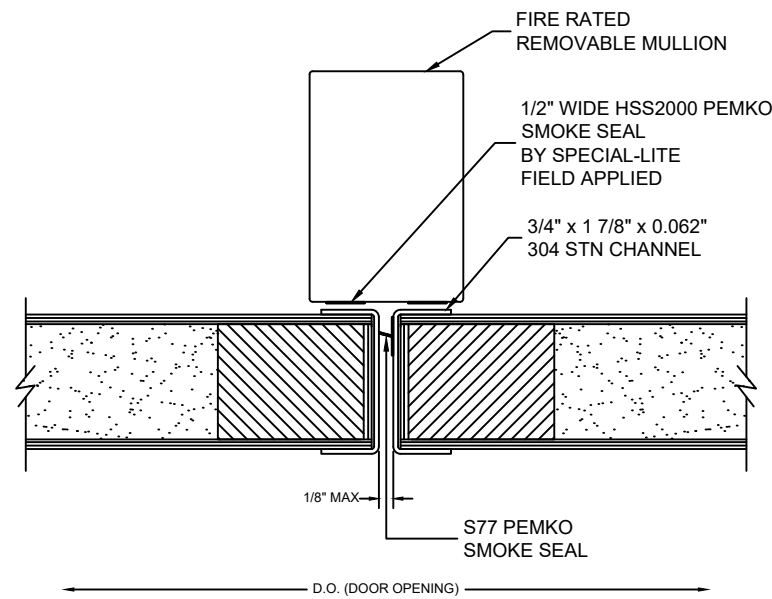
LOCK JAMB DETAIL



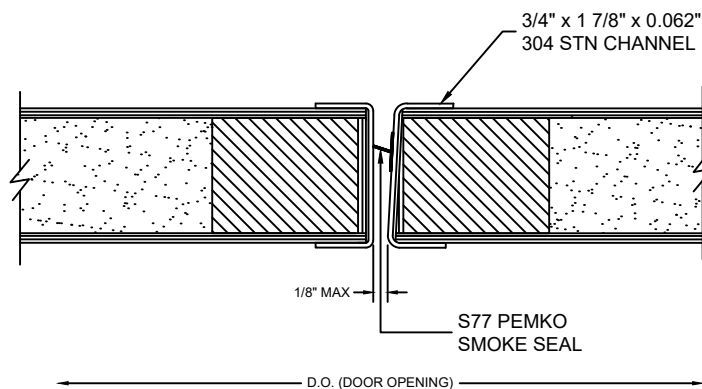
SILL DETAIL



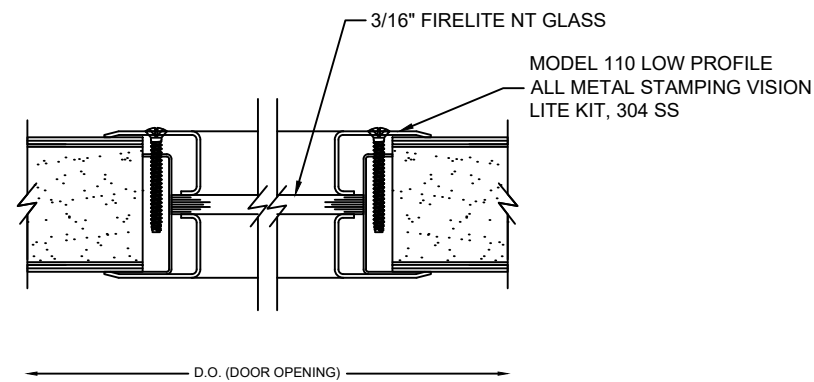
STANDARD MEETING DETAIL



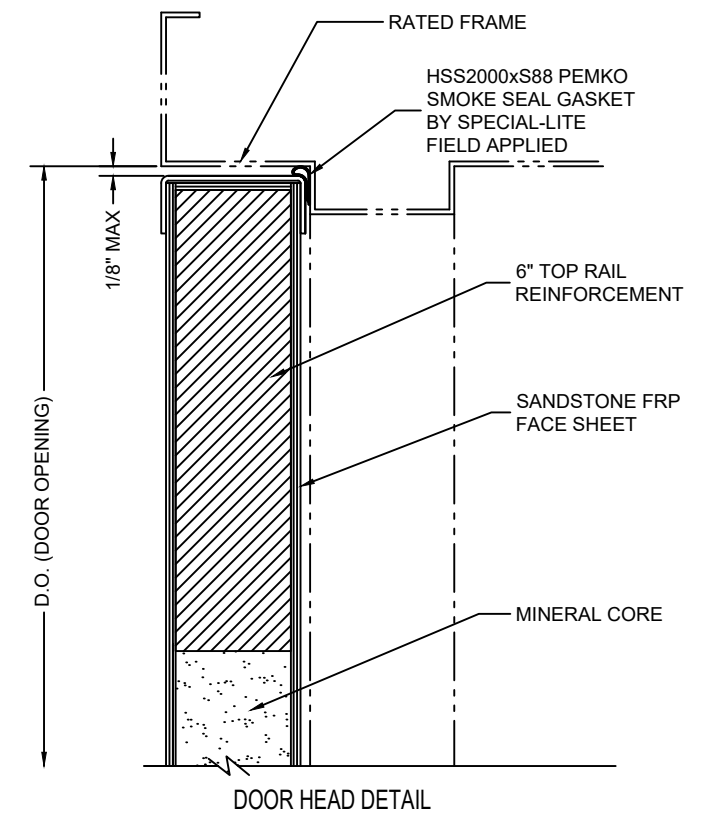
OPTIONAL MEETING DETAIL



LOCKSET MEETING DETAIL



VISION-LITE KIT DETAIL



DOOR HEAD DETAIL

		SPECIAL-LITE, INC. 860 South Williams Street P.O. BOX 6 DECATUR, MI 49045 WWW.SPECIAL-LITE.COM	
		DRAWN BY: JMM REVISION:	SL-20FR FRP - SANDSTONE-TEXTURE DOOR
D 3/22/18 E 1/24/19 F G	FILE: SL23DETAILS.dwg		