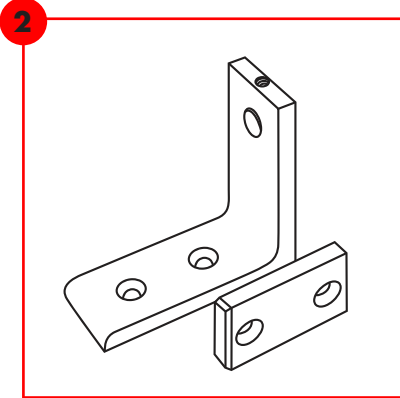


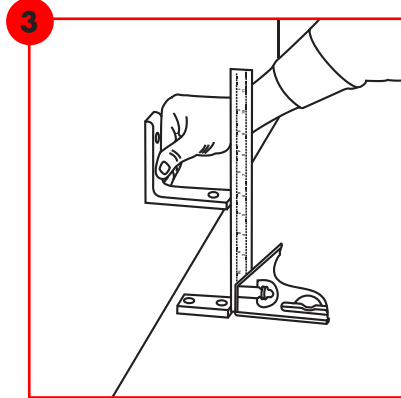
# MK-60 Mullion Storage Kit

## Instructions for installation of kit

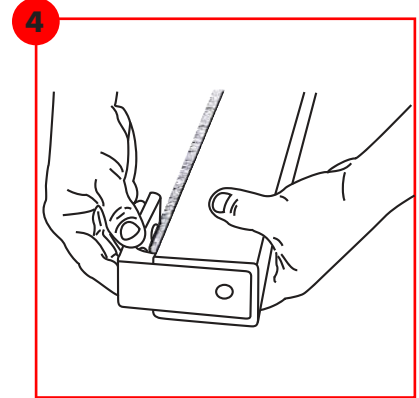
**1** Select a suitable location for mullion storage out of normal traffic flows.



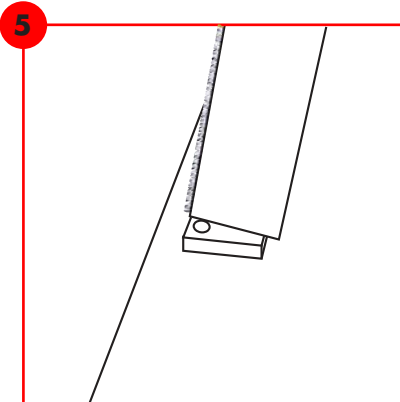
Kit includes bracket (part #163) & block (part #100). Note that mullion stores upside-down.



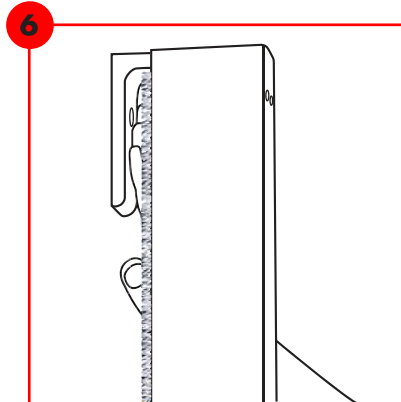
Locate block on floor using bracket against wall. Mark block position. Screw down block.



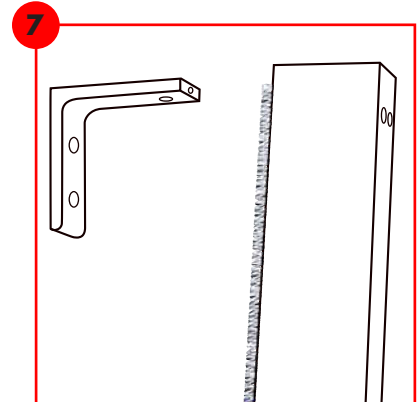
Position top bracket on rod to check fit.



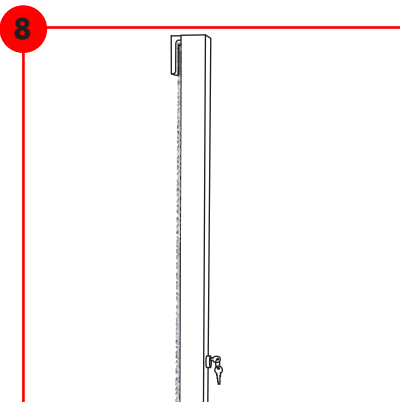
Set mullion on block.



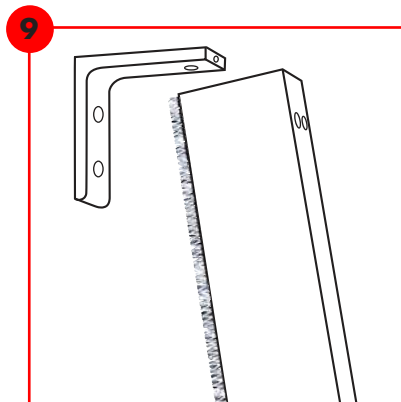
Square mullion to floor (side to side). Mark bracket position. Screw on bracket.



Check function and fit with bracket.



Mullion set and locked in place.



Mullion removed.

**Bracket is fabricated to accept bolt of keyed mullion and set screw for non-keyed mullion.**

**Clear or Dk. Bronze finish for set.**

**(Anchors not included)**

 **Special-Lite**<sup>®</sup>  
Doors with more life.