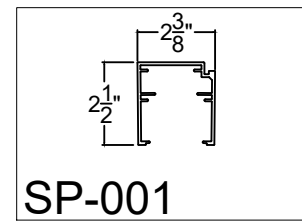
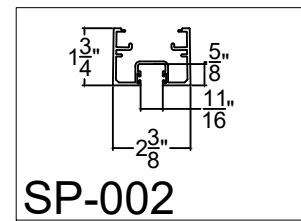


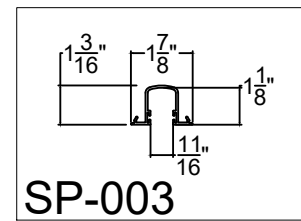
AE-5850 SP-001  
 AE-5851 SP-002  
 AE-5852 SP-003  
 AE-5853 SP-004  
 AE-5887 SP-005  
 AE-5854 SP-007  
 AE-5857 SP-010  
 AE-5872 SP-011  
 AE-5873 SP-012  
 AE-5892 SP-020  
 AE-6159 SP-023  
 AE-6160 SP-024  
 AE-6162 SP-026  
 AE-6164 SP-028  
 AE-6253 SP-029  
 AE-6254 SP-030  
 AE-6255 SP-031  
 AE-6256 SP-032  
 AE-6257 SP-033  
 AE-6258 SP-034  
 AE-6259 SP-035  
 AE-6260 SP-036  
 AE-6267 SP-037  
 AE-6262 SP-038  
 AE-6326 SP-039  
 AE-6327 SP-040  
 AE-6421 SP-041  
 AE-6422 SP-042  
 AE-6476 SP-043  
 AE-6477 SP-044  
 AE-6478 SP-045



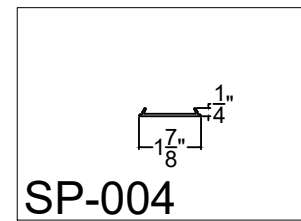
SP-001



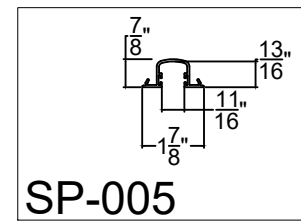
SP-002



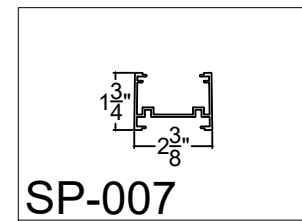
SP-003



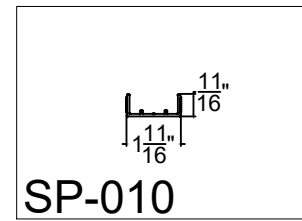
SP-004



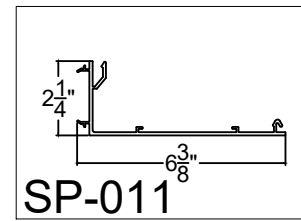
SP-005



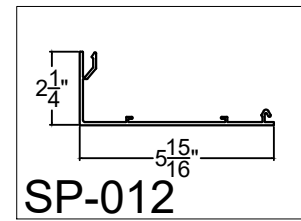
SP-007



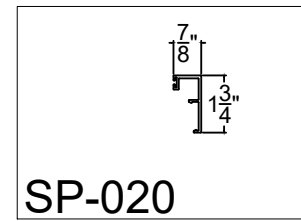
SP-010



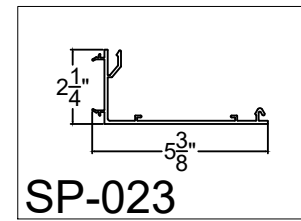
SP-011



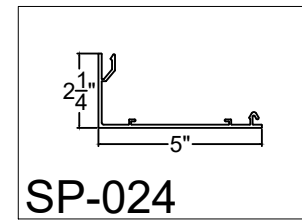
SP-012



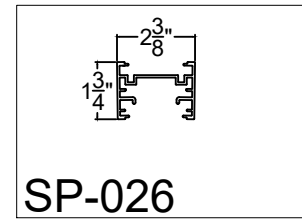
SP-020



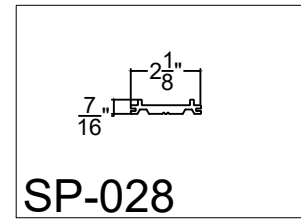
SP-023



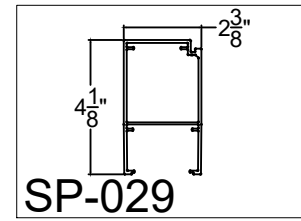
SP-024



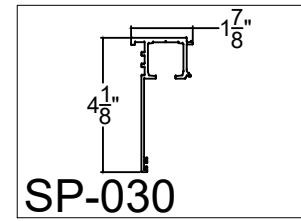
SP-026



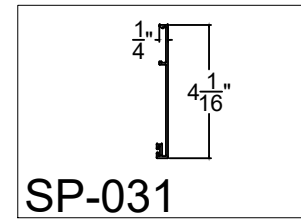
SP-028



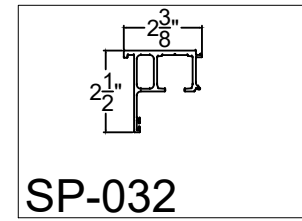
SP-029



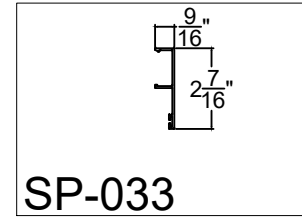
SP-030



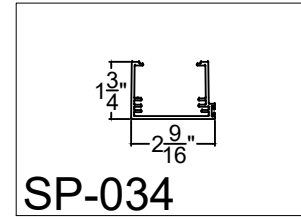
SP-031



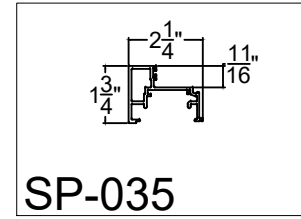
SP-032



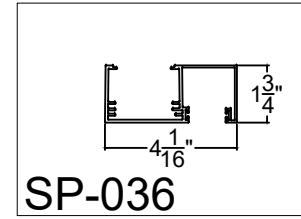
SP-033



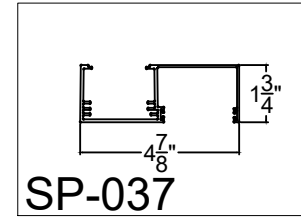
SP-034



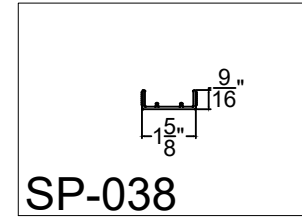
SP-035



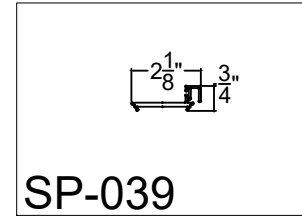
SP-036



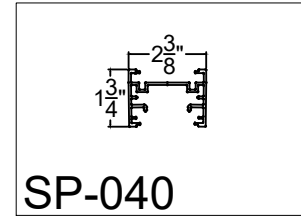
SP-037



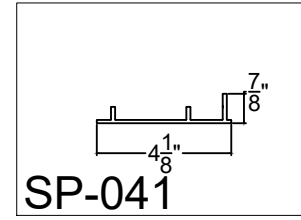
SP-038



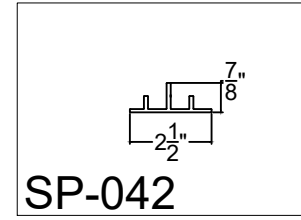
SP-039



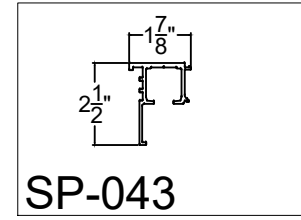
SP-040



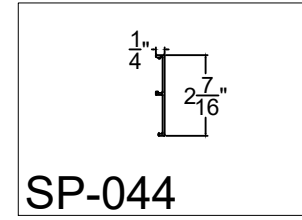
SP-041



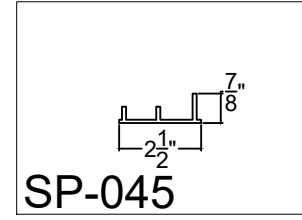
SP-042




SP-043

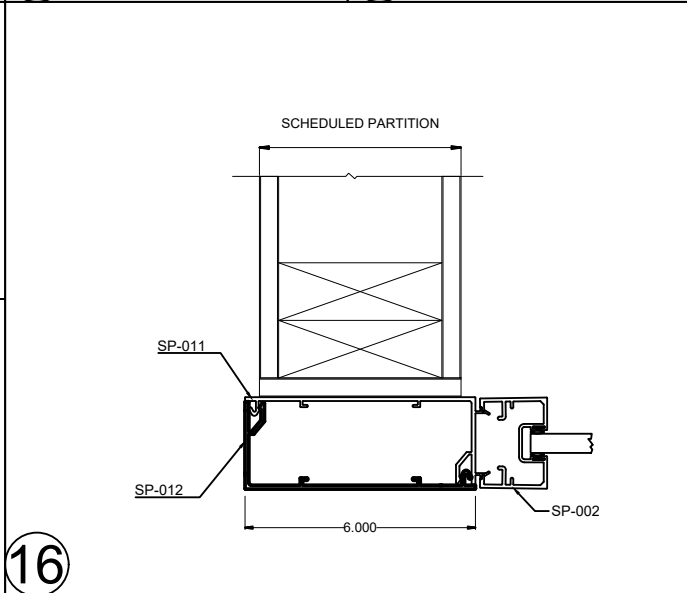
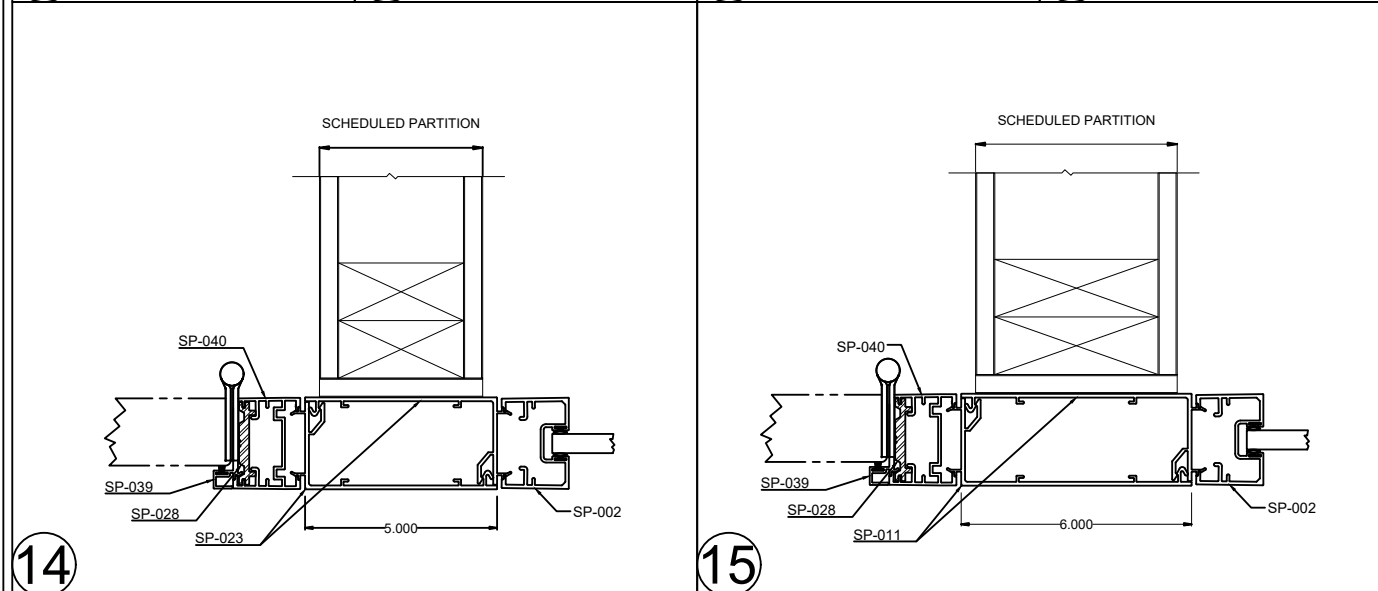
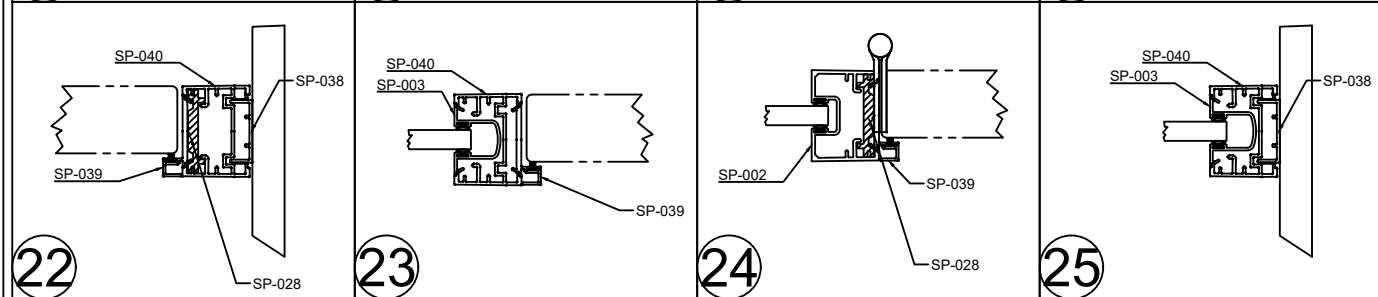
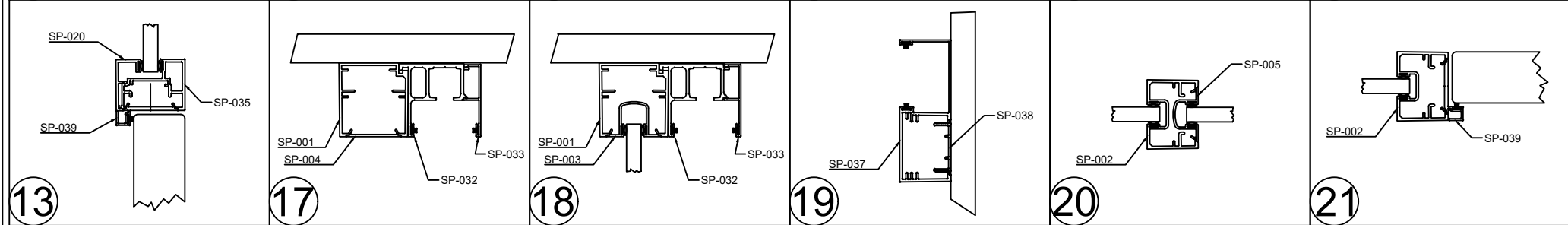
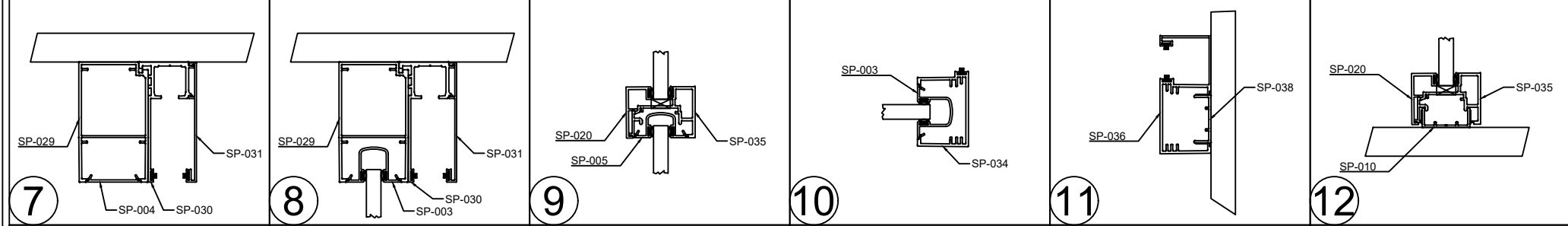
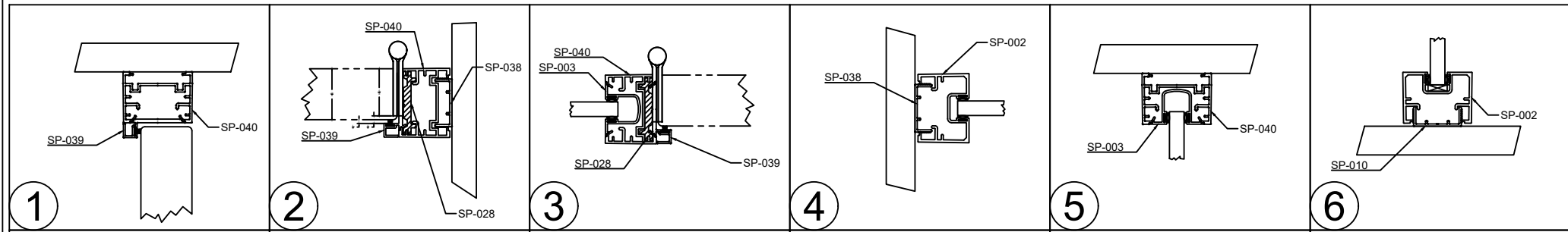



SP-044

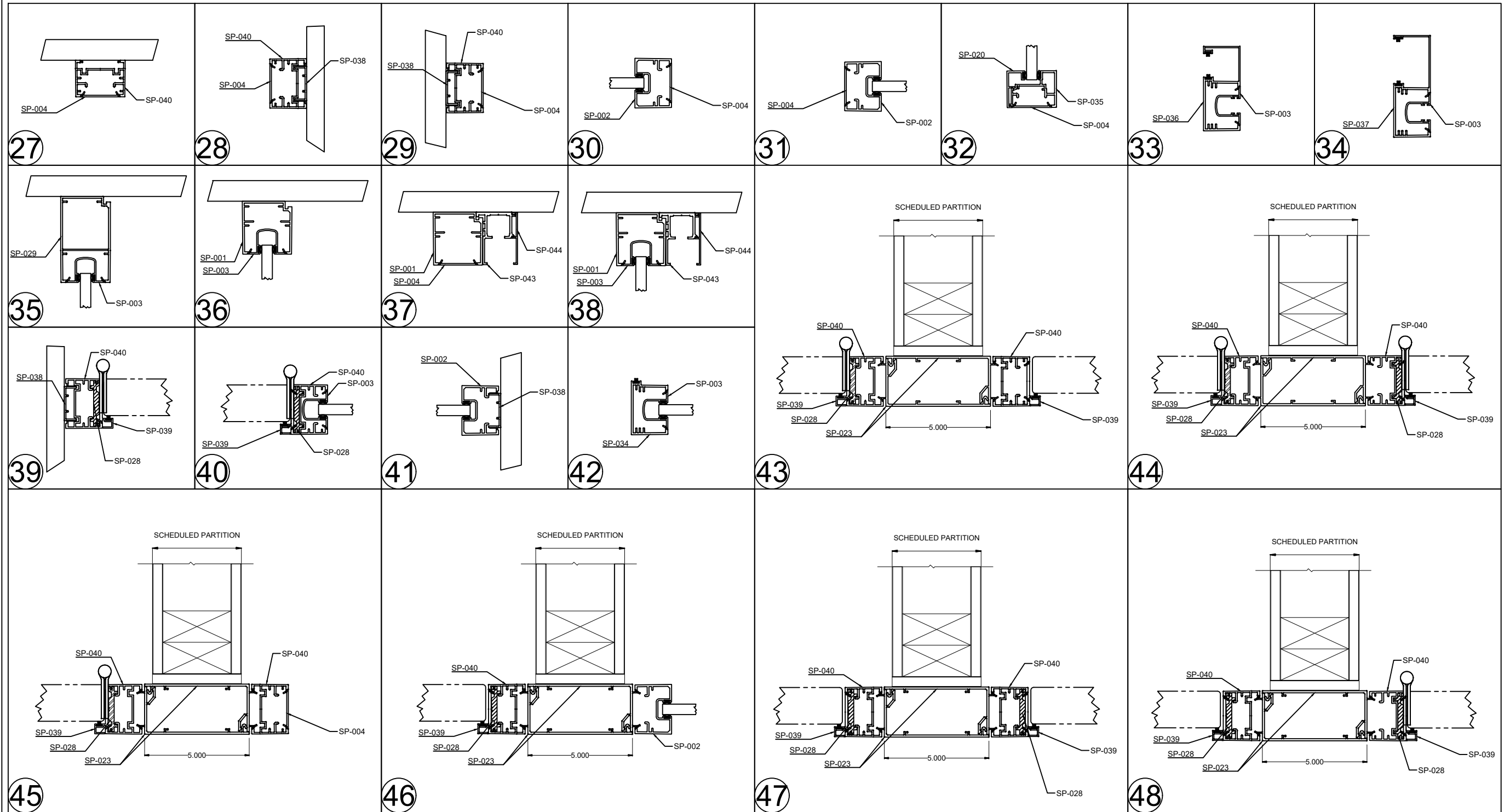



SP-045

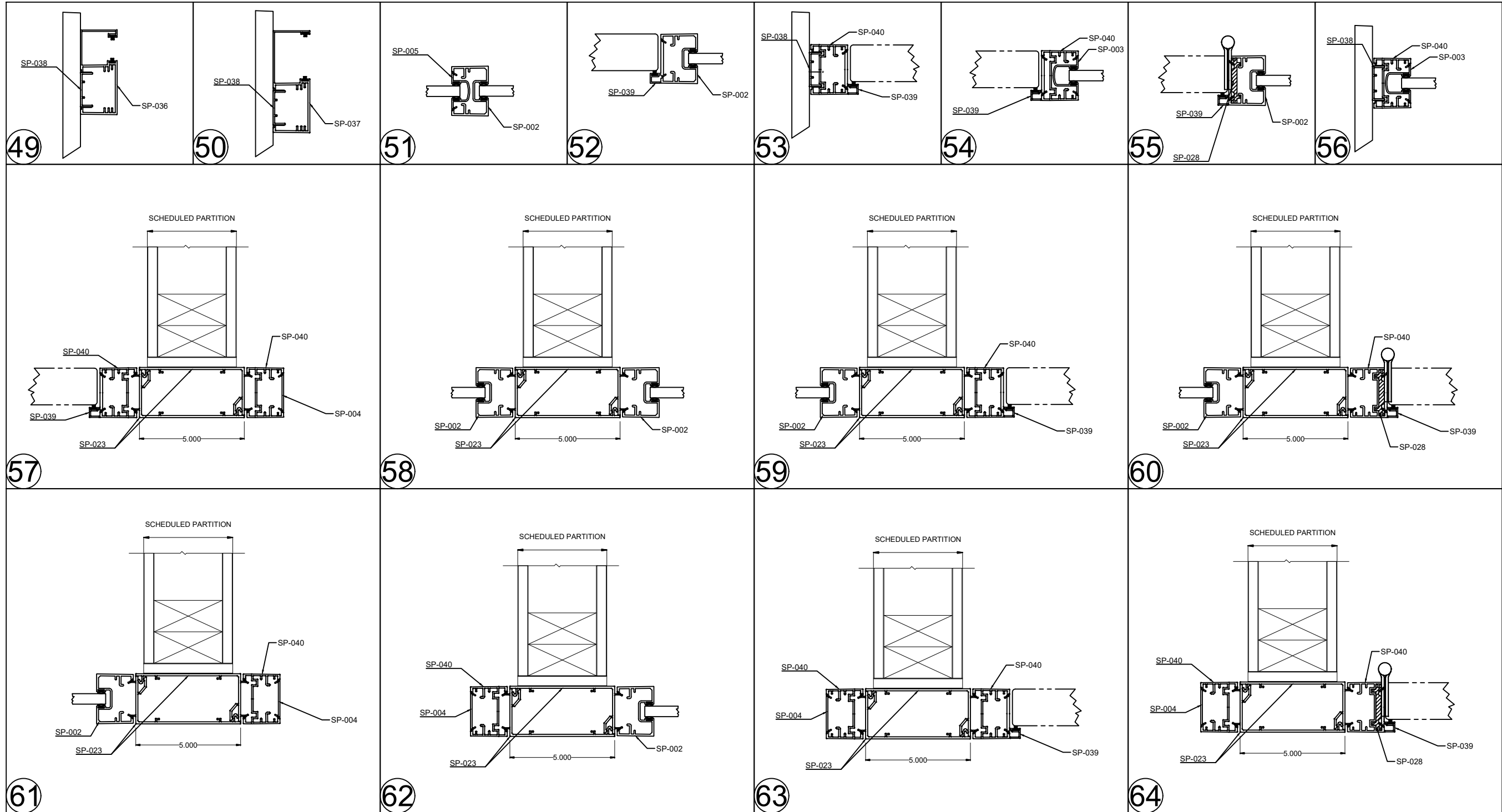
		SPECIAL-LITE, INC. 860 South Williams Street P.O. BOX 6 DECATUR, MI 49045 <a href="http://WWW.SPECIAL-LITE.COM">WWW.SPECIAL-LITE.COM</a>	
DRAWN BY: JMM REVISION:	Litespace		
A 08/20/18 B 12/11/19	C D	DATE: 12/11/2019	SHEET NO. 1 OF 8 FILE:XXX.dwg



 <b>Special-Lite</b> <small>ENGINEERED ARCHITECTURAL SOLUTIONS</small>		<b>SPECIAL-LITE, INC.</b> 860 South Williams Street P.O. BOX 6 DECATUR, MI 49045 <a href="http://WWW.SPECIAL-LITE.COM">WWW.SPECIAL-LITE.COM</a>	
DRAWN BY: JMM REVISION		Litespace	
A 08/20/18 B 12/11/19	C D	DATE: 12/11/2019	SHEET NO. 2 OF 8 FILE: Litespace.dwg

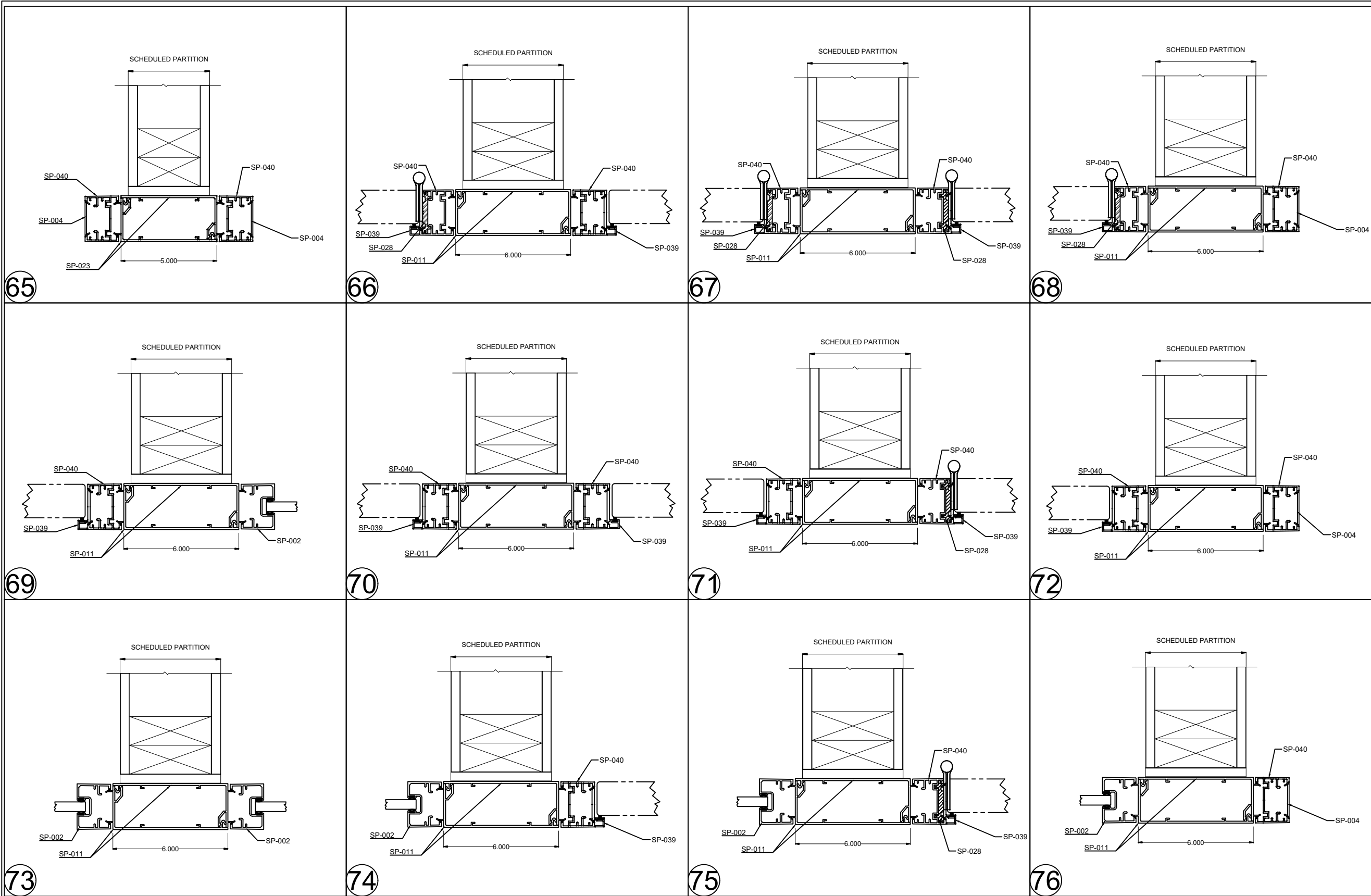


 <b>Special-Lite®</b> <small>ENGINEERED ARCHITECTURAL SOLUTIONS</small>		<b>SPECIAL-LITE, INC.</b> 860 South Williams Street P.O. BOX 6 DECATUR, MI 49045 WWW.SPECIAL-LITE.COM	
DRAWN BY: JMM REVISION:		Litespace	
A 08/20/18 C B 12/11/19 D	DATE: 12/11/2019	SHEET NO. 3 OF 8	FILE: Litespace.dwg



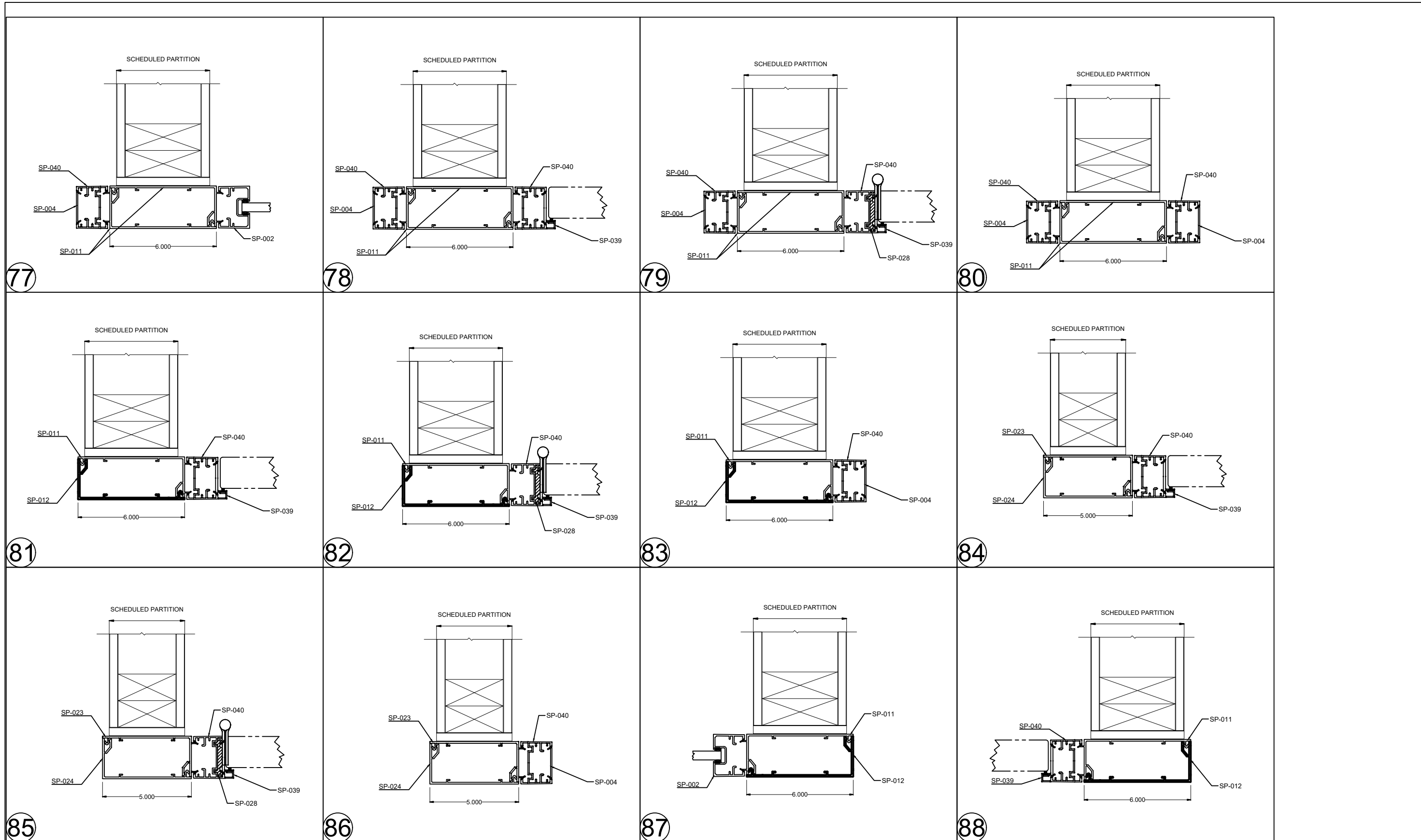
SPECIAL-LITE, INC.  
 860 South Williams Street  
 P.O. BOX 6  
 DECATUR, MI 49045  
 WWW.SPECIAL-LITE.COM

DRAWN BY: JMM		REVISION		Litespace	
A	08/20/18	C		DATE: 12/11/2019	SHEET NO. 4 OF 8
B	12/11/19	D		FILE: Litespace.dwg	



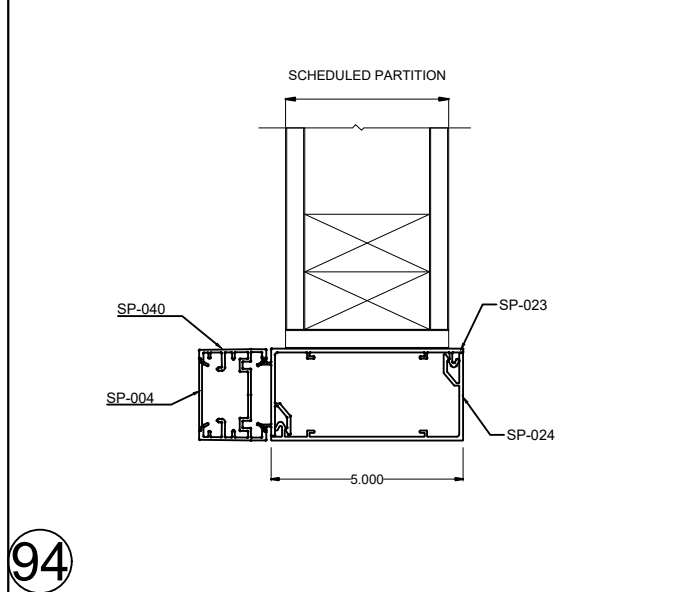
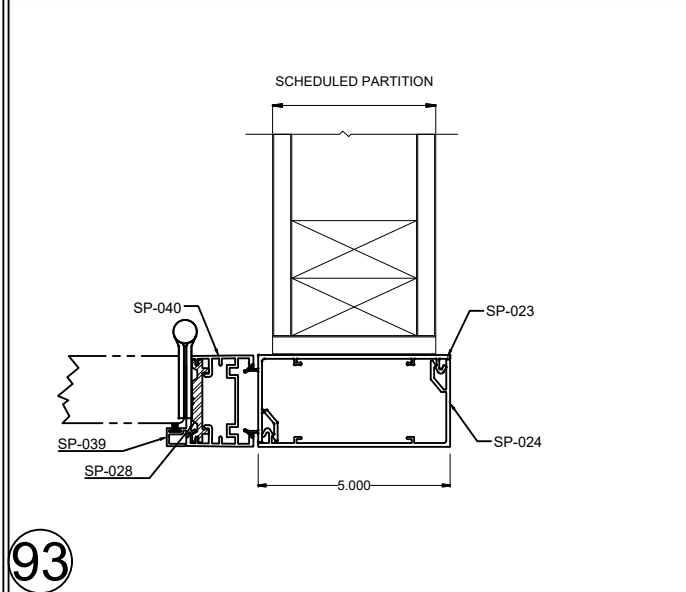
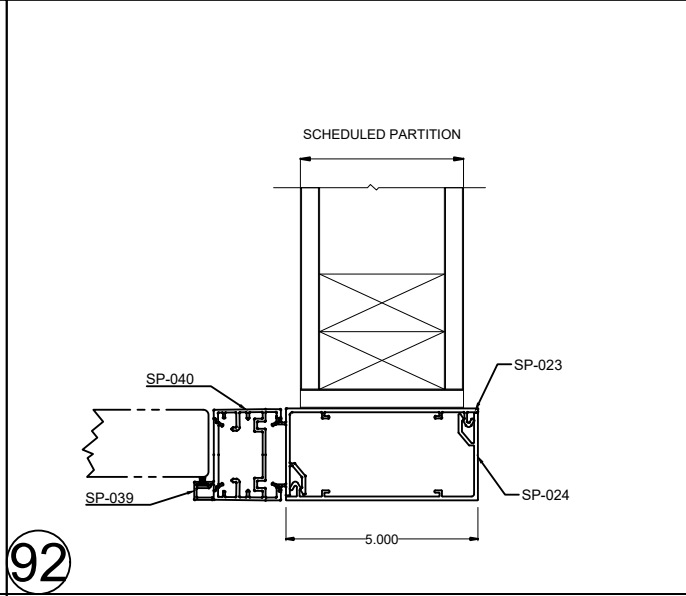
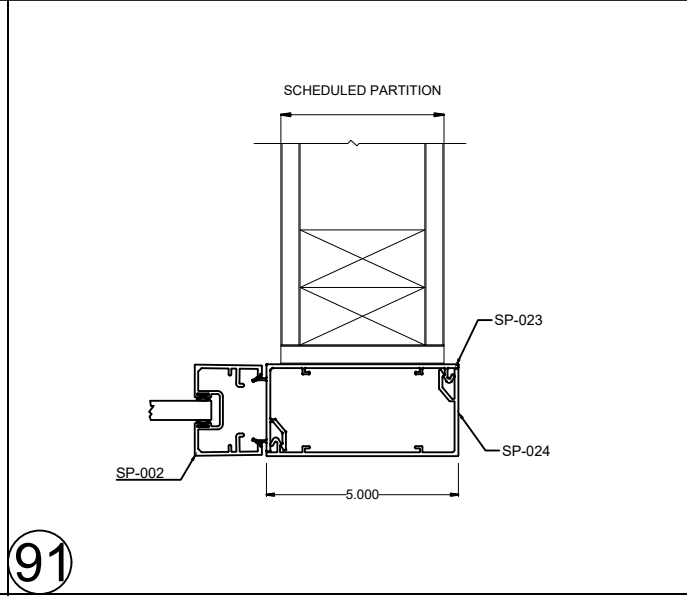
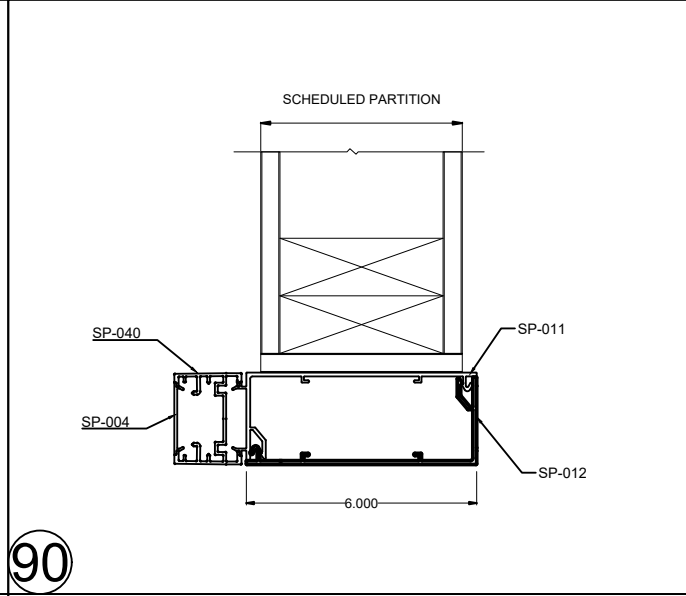
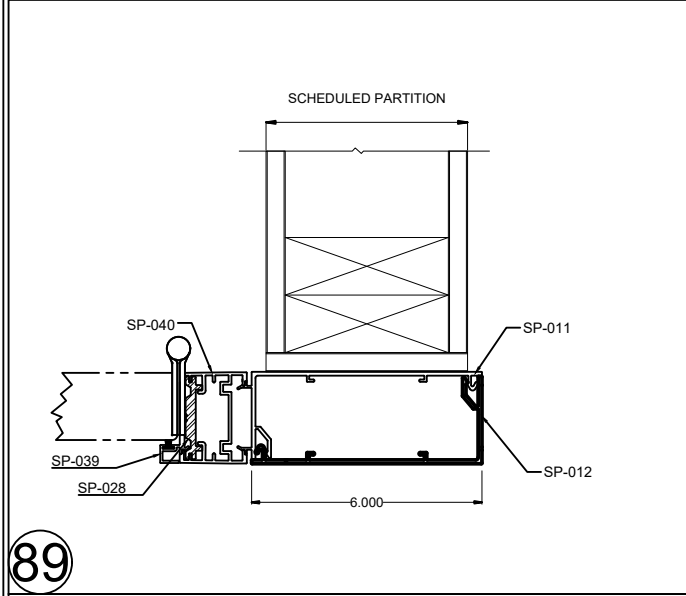
SPECIAL-LITE, INC.  
 860 South Williams Street  
 P.O. BOX 6  
 DECATUR, MI 49045  
 WWW.SPECIAL-LITE.COM

DRAWN BY: JMM		REVISION		Litespace	
A	08/20/18	C		DATE:	12/11/2019
B	12/11/19	D		SHEET NO.	5 OF 8
				FILE:	Litespace.dwg



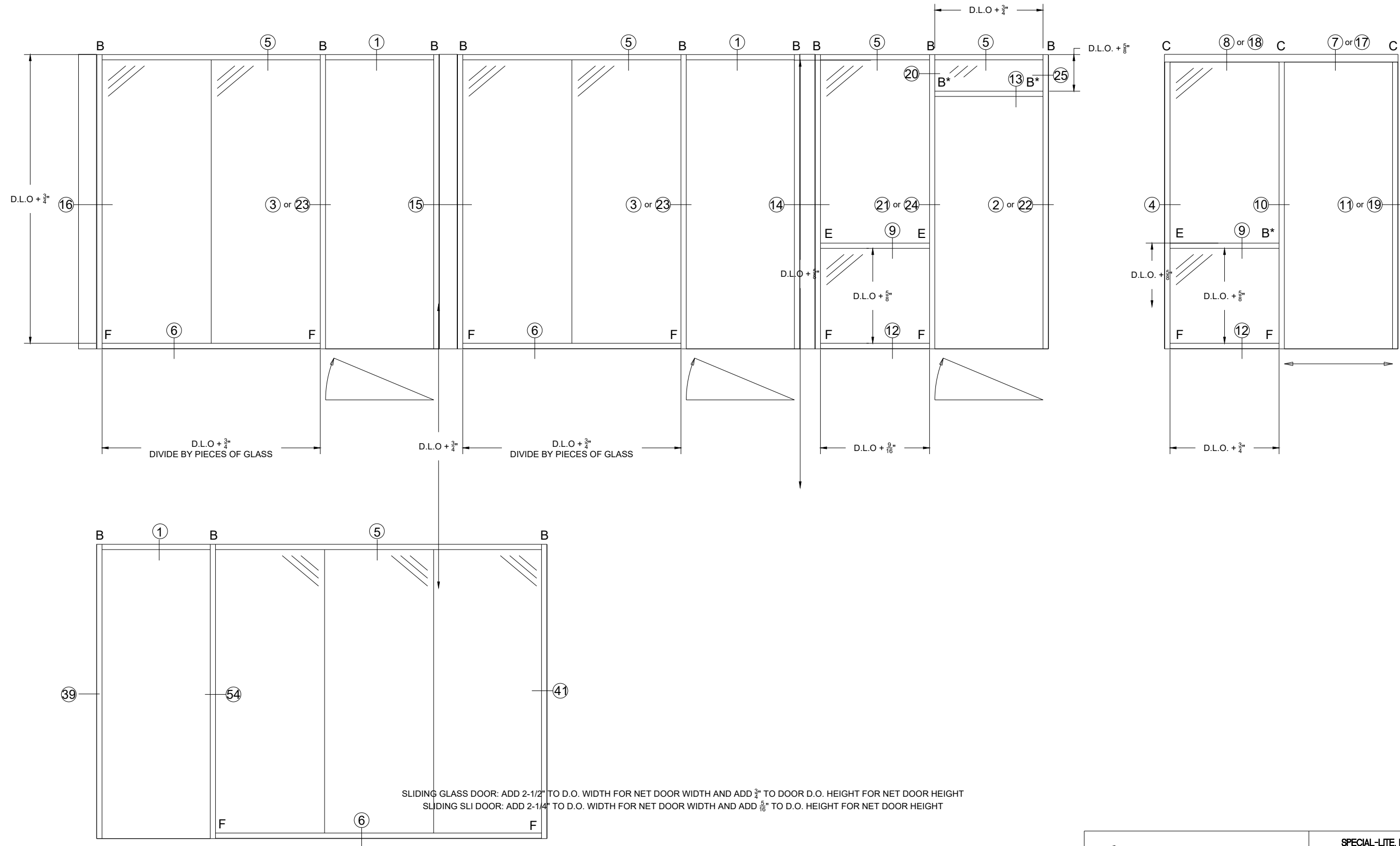
SPECIAL-LITE, INC.  
 860 South Williams Street  
 P.O. BOX 6  
 DECATUR, MI 49045  
 WWW.SPECIAL-LITE.COM


DRAWN BY: JMM		REVISION		Litespace	
A	08/20/18	C		DATE: 12/11/2019	SHEET NO. 6 OF 8
B	12/11/19	D		FILE: Litespace.dwg	



 <b>Special-Lite</b> <small>ENGINEERED ARCHITECTURAL SOLUTIONS</small>		<b>SPECIAL-LITE, INC.</b> 860 South Williams Street P.O. BOX 6 DECATUR, MI 49045 <a href="http://WWW.SPECIAL-LITE.COM">WWW.SPECIAL-LITE.COM</a>	
DRAWN BY: JMM REVISION		<b>Litespace</b>	
A 08/20/18 C B 12/11/19 D	DATE: 12/11/2019	SHEET NO. 7 OF 8	FILE: Litespace.dwg

B\* - B CLIP MUST BE PRELOADED, IF NOT A D CLIP CAN BE USED



 <b>Special-Lite</b> <small>ENGINEERED ARCHITECTURAL SOLUTIONS</small>		SPECIAL-LITE, INC. 860 South Williams Street P.O. BOX 6 DECATUR, MI 49045 WWW.SPECIAL-LITE.COM	
		Litespace	
DRAWN BY: JMM REVISION	DATE: 12/11/2019	SHEET NO. 8 OF 8	FILE: Litespace.dwg



