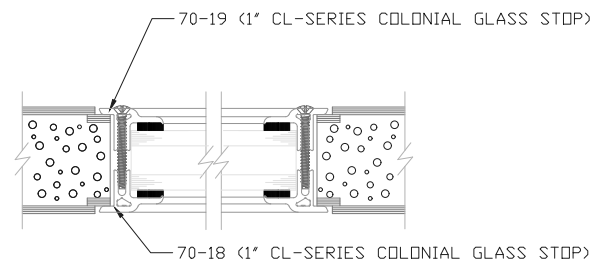
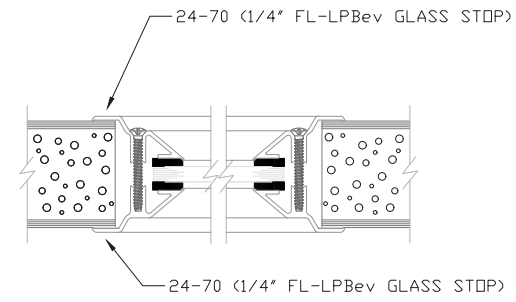


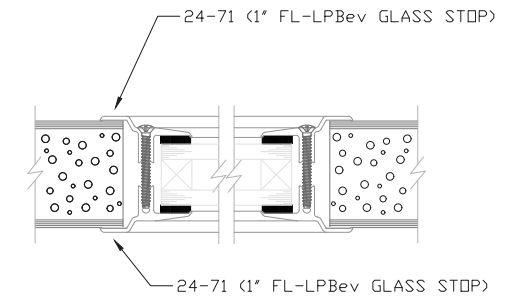
1/4" GLASS CL-SERIES COLONIAL VISION LITE DETAIL



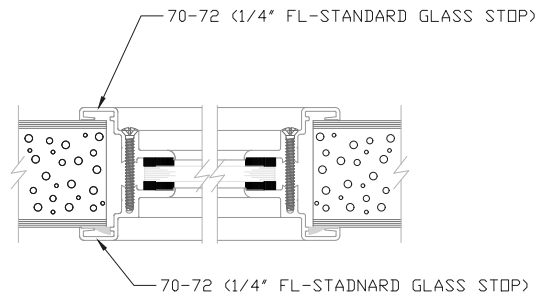
1" GLASS CL-SERIES COLONIAL VISION LITE DETAIL



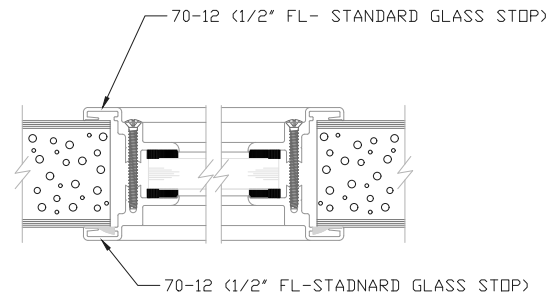
1/4" GLASS FL-LPBev VISION LITE DETAIL



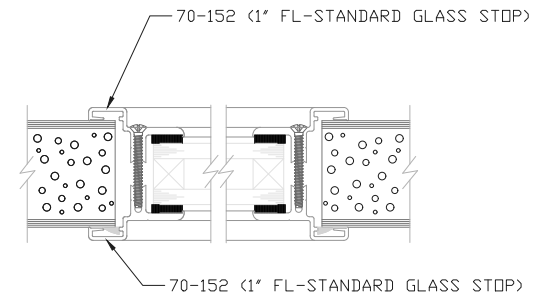
1" GLASS FL-LPBev VISION LITE DETAIL



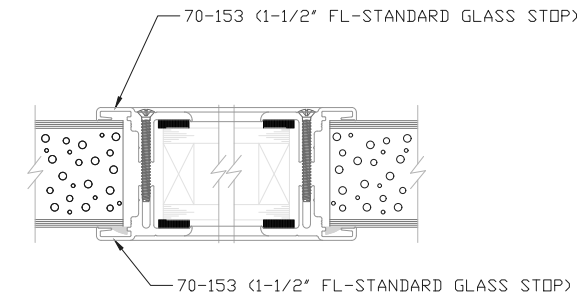
1/4" GLASS FL-STANDARD VISION LITE DETAIL



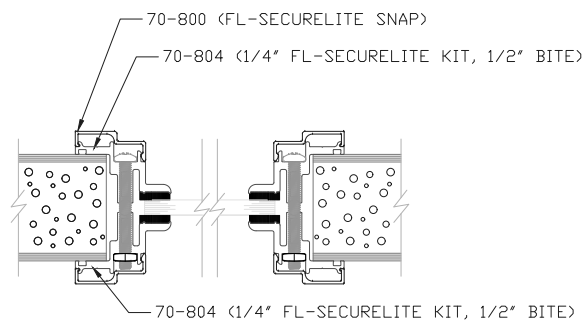
1/2" GLASS FL-STANDARD VISION LITE DETAIL



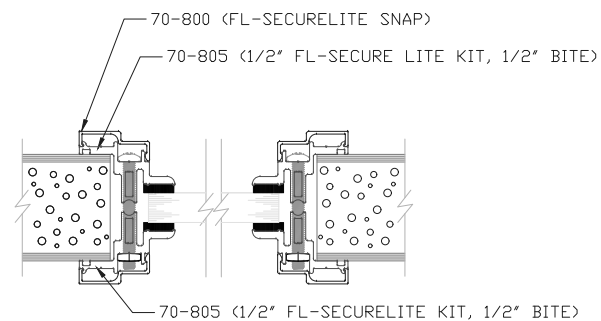
1" INS. GLASS FL-STANDARD VISION LITE DETAIL



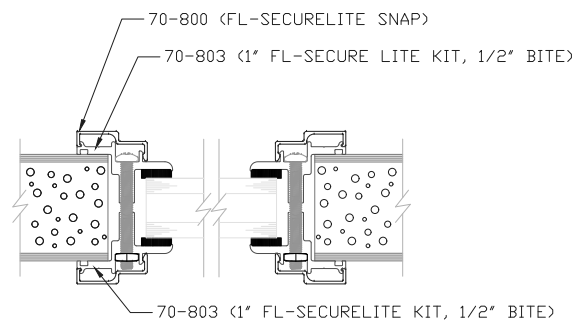
1-1/2" INS. GLASS FL-STANDARD VISION LITE DETAIL



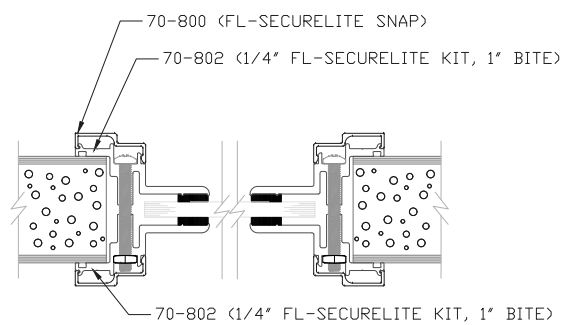
1/4" GLASS FL-SECURELITE DETAIL, 1/2" BITE



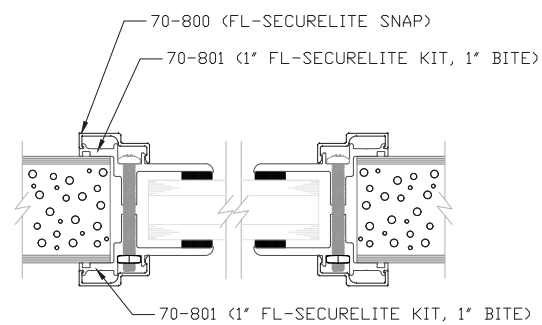
1/2" GLASS FL-SECURELITE DETAIL, 1/2" BITE



1" GLASS FL-SECURELITE DETAIL, 1/2" BITE



1/4" GLASS FL-SECURELITE DETAIL, 1" BITE



1" GLASS FL-SECURELITE DETAIL, 1" BITE

		SPECIAL-LITE, INC. 860 South Williams Street P.O. BOX 6 DECATUR, MI 49045 WWW.SPECIAL-LITE.COM	
		DRAWN BY: JMM REVISION:	
LITE KIT DETAILS		DATE: 10/4/2019	
A 10/4/19 C B D	SHEET NO. 1 OF 1		FILE: LITEKITDETAILS.dwg