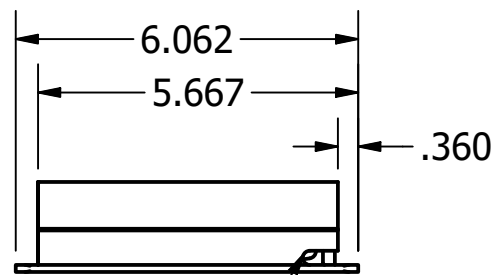
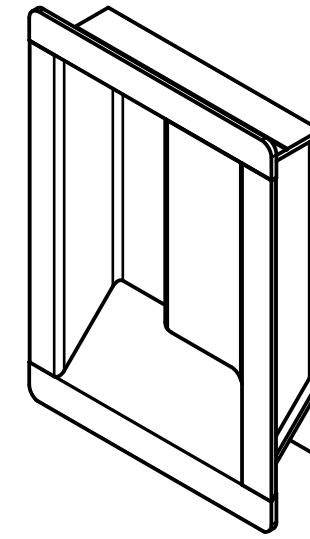
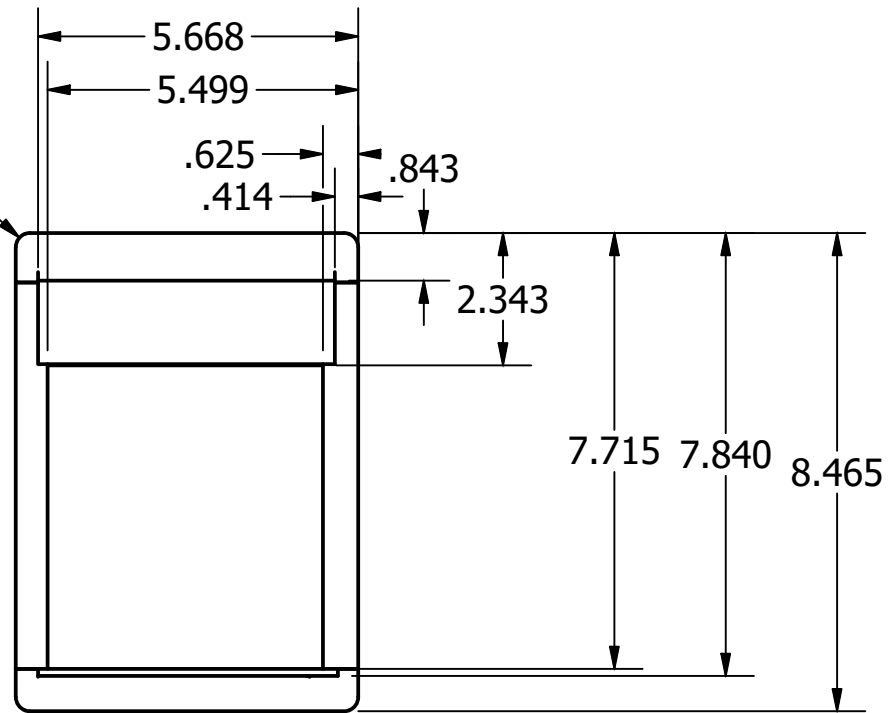
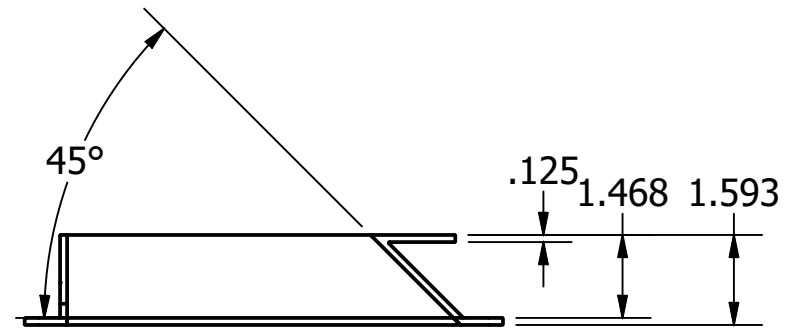



R.250 X4



WEEP HOLE



 Special-Lite <small>ENGINEERED ARCHITECTURAL SOLUTIONS</small>		SPECIAL-LITE, INC. 860 South Williams Street P.O. BOX 6 DECATUR, MI 48045 WWW.SPECIAL-LITE.COM	
		DRAWN BY: JMM REVISION: A 2/27/20 C B	
SL-86 RH FLUSH PULL		DATE: 2/27/2020	SHEET NO. 1 OF 1
		FILE: SL-86RHFLUSHPULL	