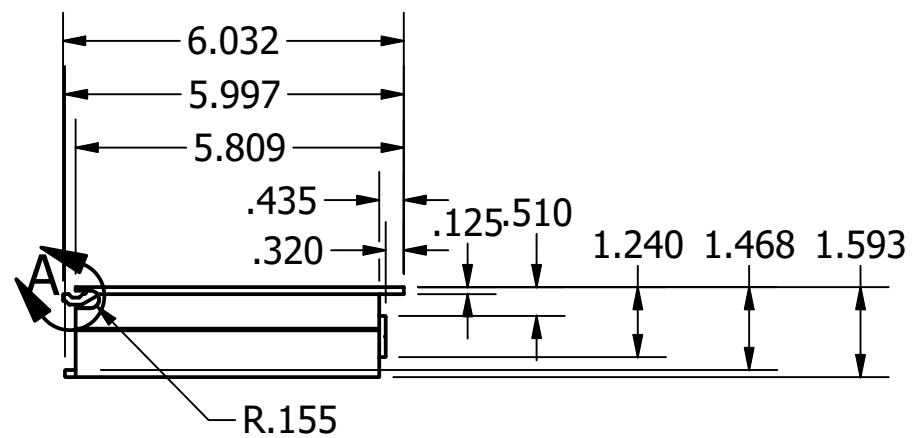
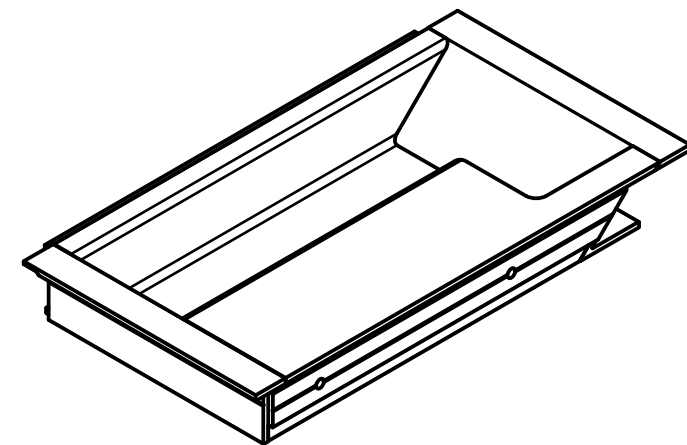
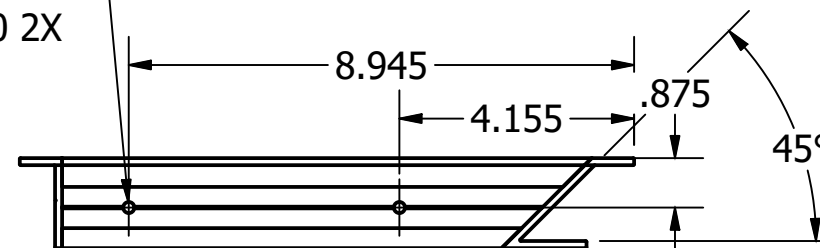



DETAIL A
SCALE 1 : 1



$\varnothing.201 \nabla .365$
1/4-20 UNC - 2B $\nabla .500$ 2X



		SPECIAL-LITE, INC. 860 South Williams Street P.O. BOX 6 DECATUR, MI 48045 WWW.SPECIAL-LITE.COM	
DRAWN BY: JMM		SL-88 LH FLUSH PULL	
REVISION		DATE: 2/27/2020	SHEET NO. 1 OF 1
A	2/27/20	C	FILE: SL-88LHFLUSHPULL
B		D	