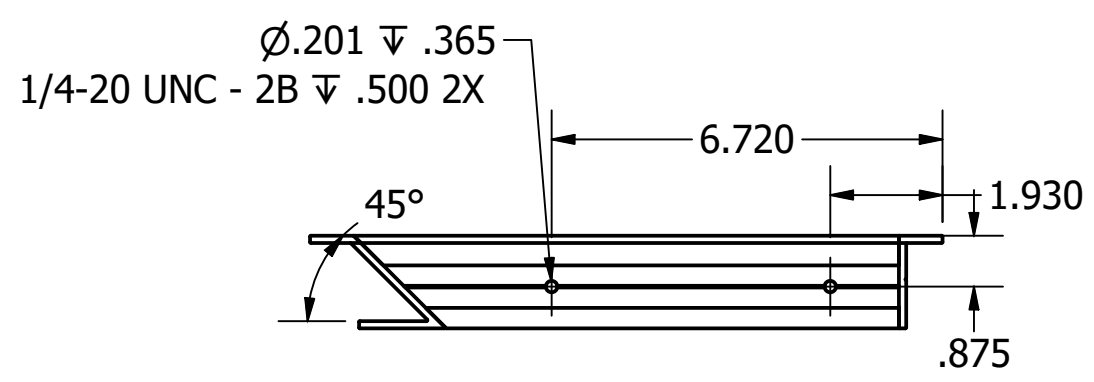
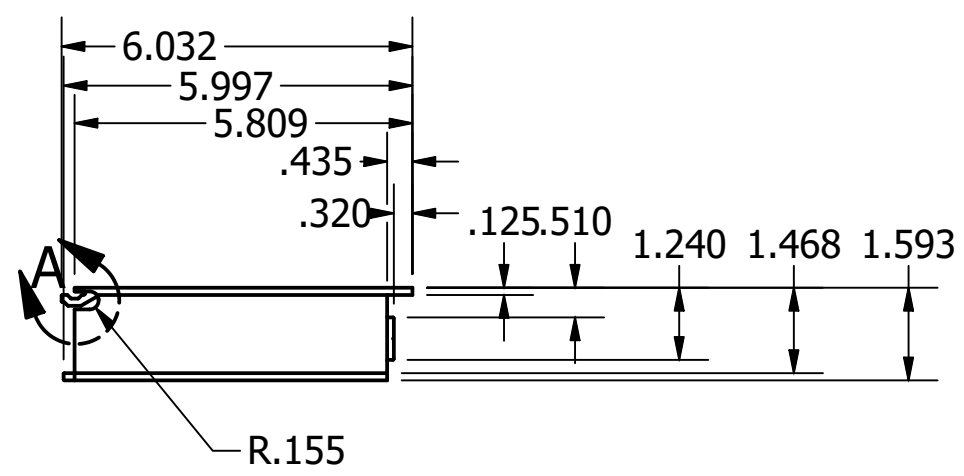
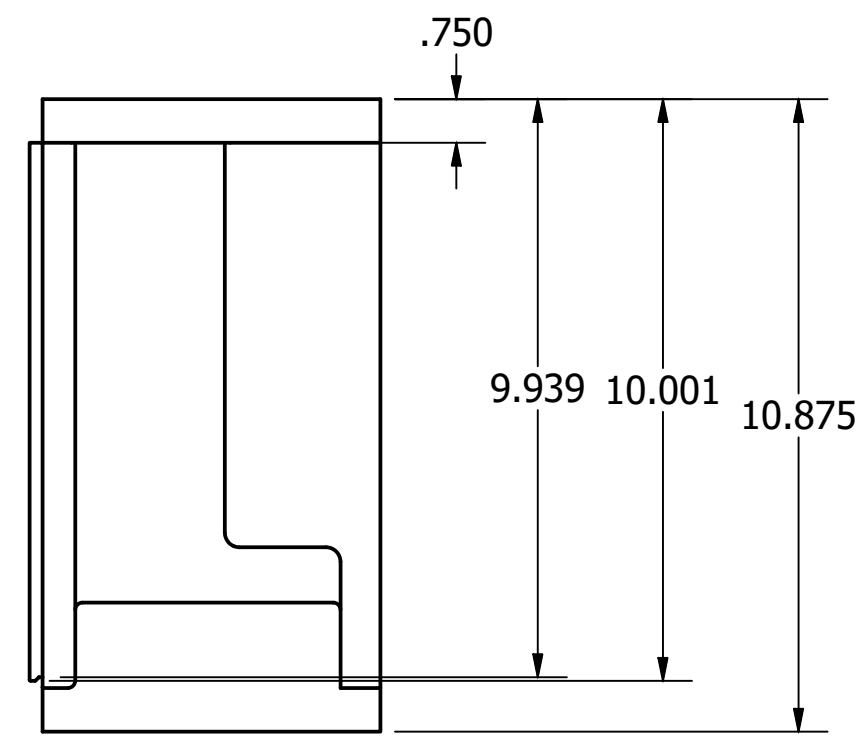



DETAIL A  
SCALE 1 : 1



		SPECIAL-LITE, INC. 860 South Williams Street P.O. BOX 6 DECATUR, MI 48045 WWW.SPECIAL-LITE.COM	
DRAWN BY: JMM REVISION:		SL-88 RH FLUSH PULL	
A 2/27/20 C B D		DATE: 2/27/2020	SHEET NO. 1 OF 1
		FILE: SL-88RHFLUSHPULL	