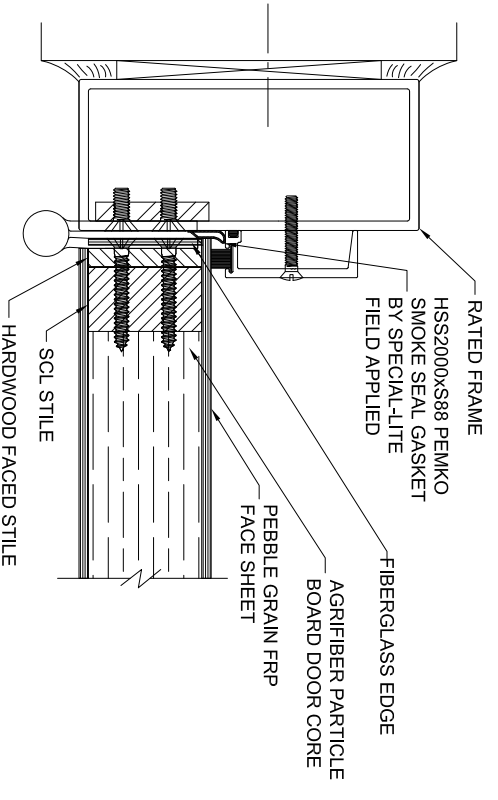
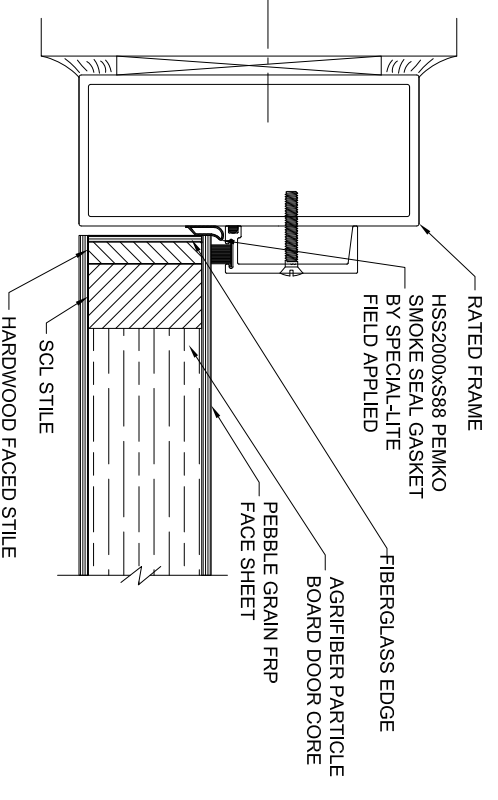


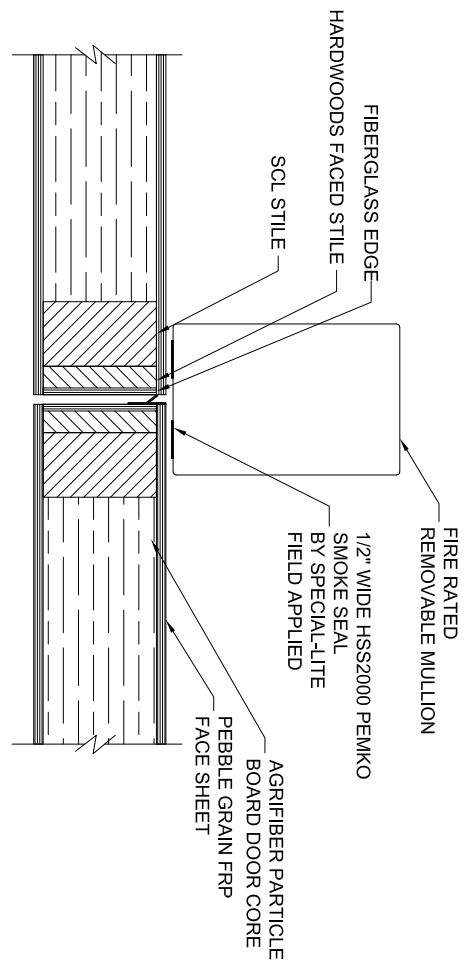
CONTINUOUS HINGE JAMB DETAIL



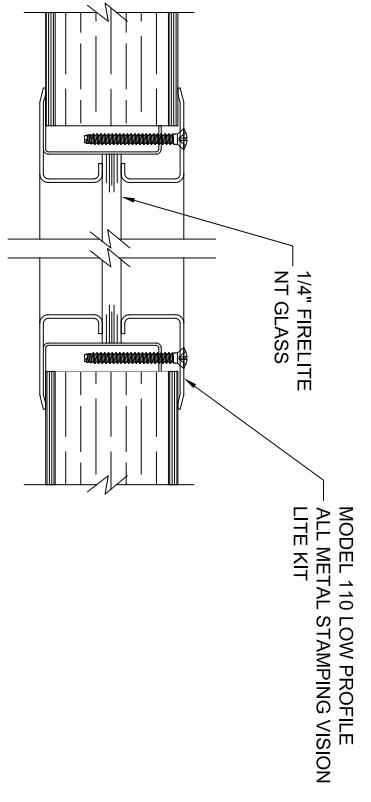
BUTT HINGE JAMB DETAIL



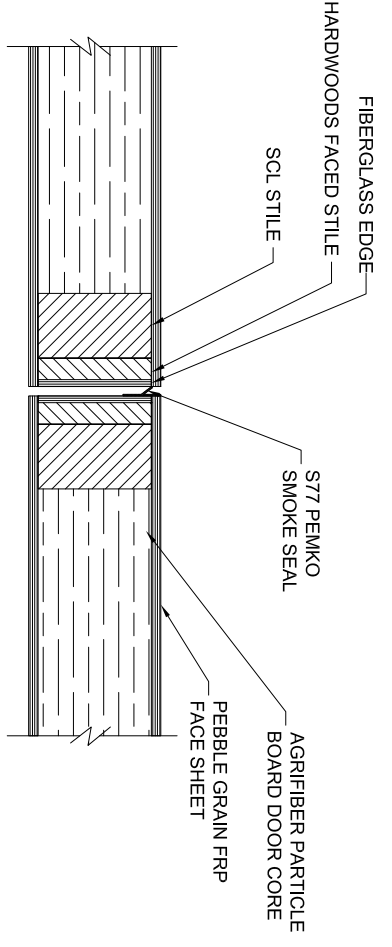
LOCK JAMB DETAIL



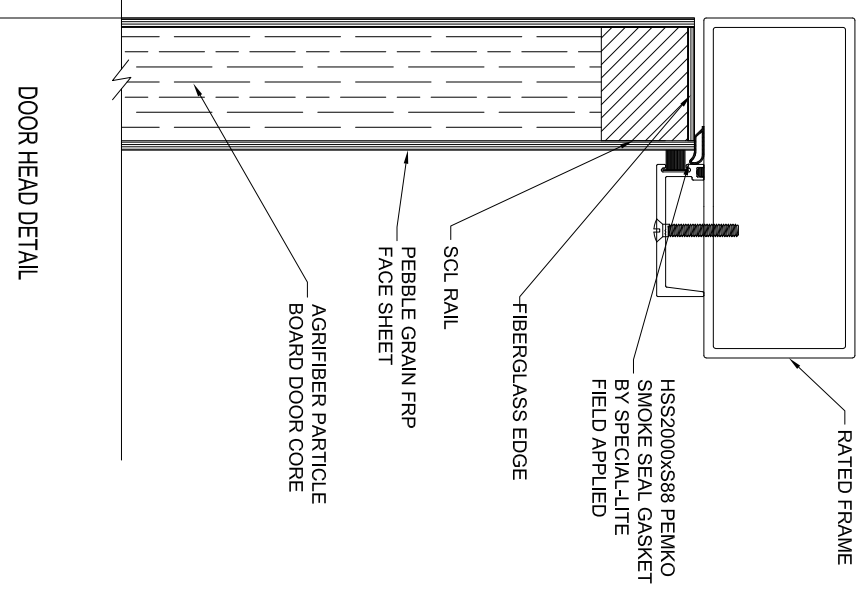
STANDARD MEETING DETAIL



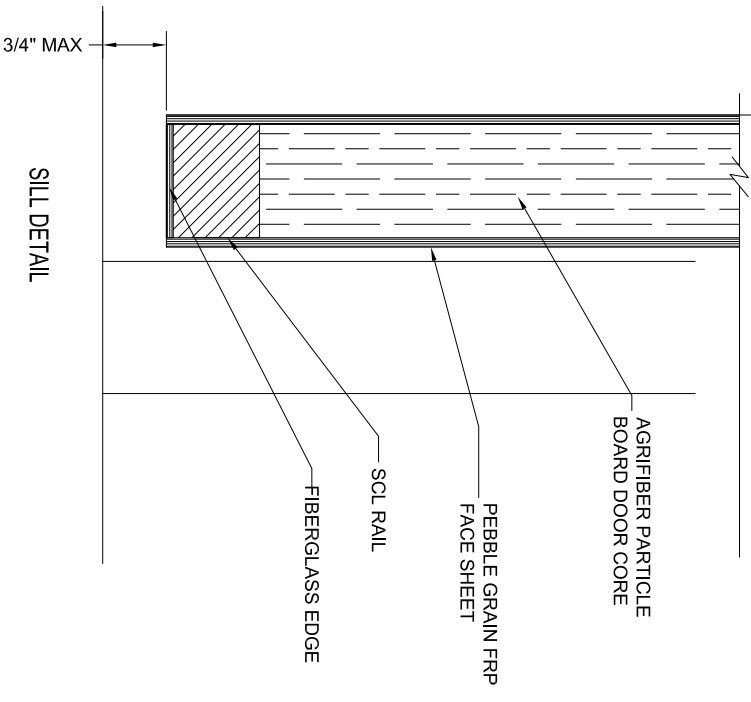
VISION LITE KIT DETAIL 1/4" GLASS



LOCKSET MEETING DETAIL



DOOR HEAD DETAIL



SILL DETAIL



SPECIAL-LITE, INC.
880 South Williams Street
P.O. BOX 6
DECATUR, IN 49045
WWW.SPECIAL-LITE.COM

DRAWN BY: JMW	SLI-17FR FRP - PEBBLE GRAIN-TEXTURE DOOR	SHEET NO. 1 OF 1
REVISION		
E 13/2/20 C 19/3/19	DATE: 03/02/20	FILE:SLI17FRDETAILS.dwg
B 18/27/19 D 11/7/19		