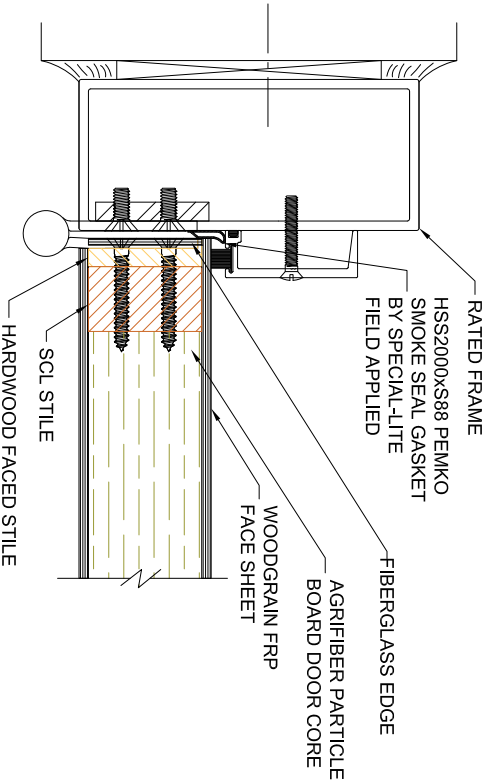
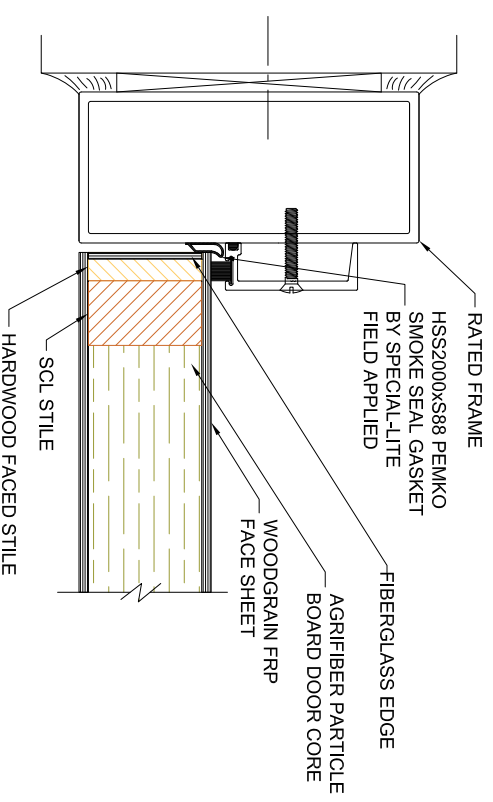


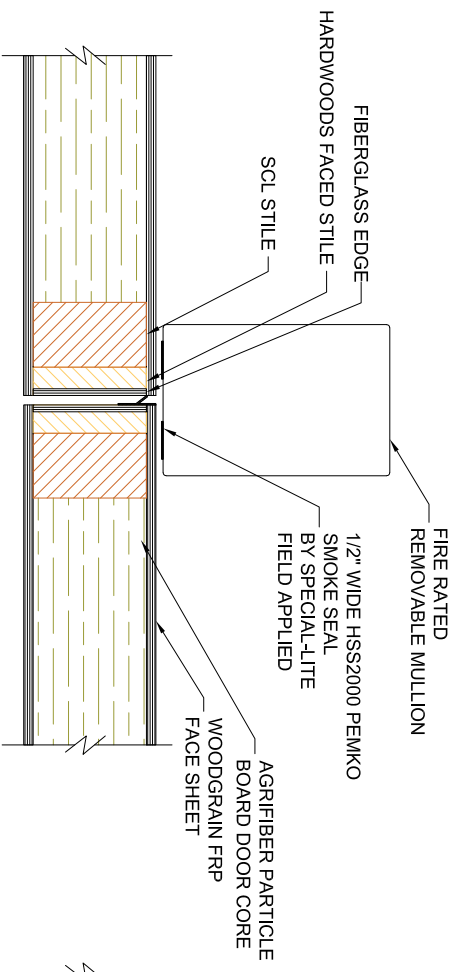
CONTINUOUS HINGE JAMB DETAIL



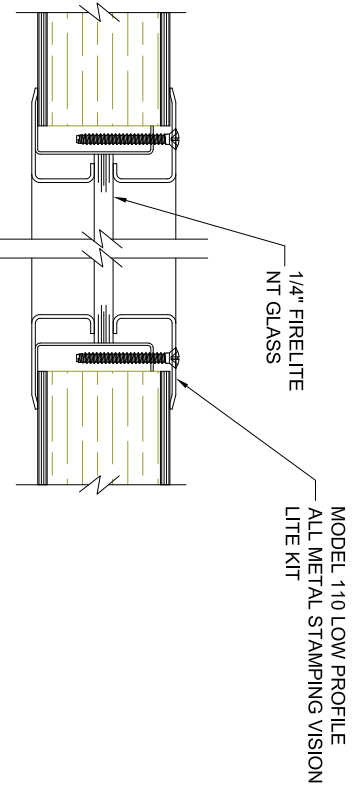
BUTT HINGE JAMB DETAIL



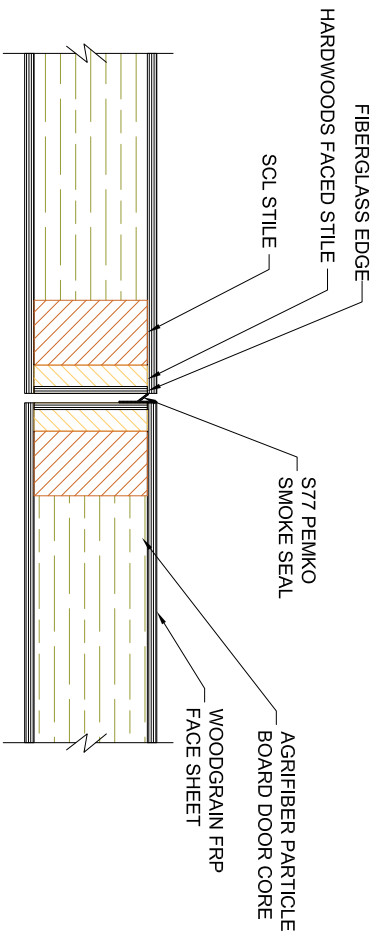
LOCK JAMB DETAIL



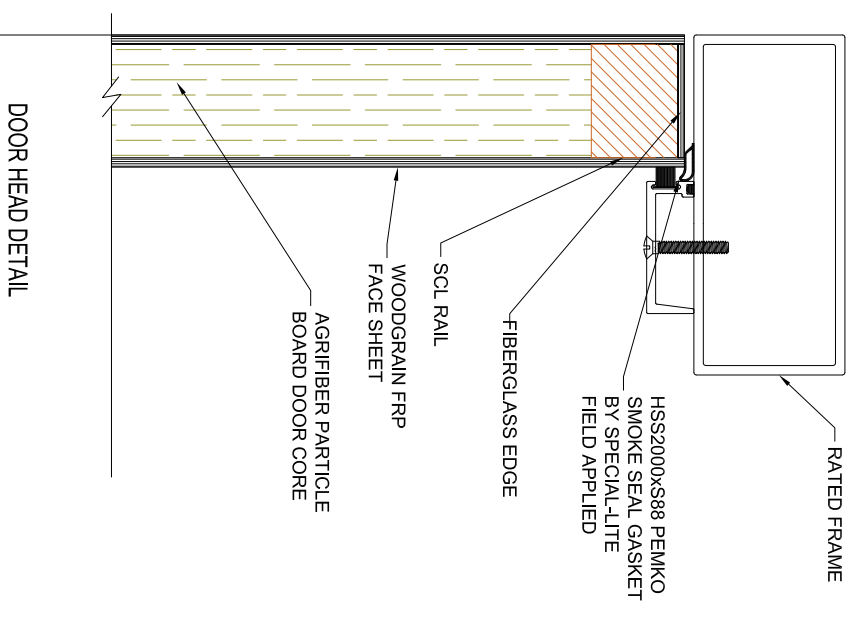
STANDARD MEETING DETAIL



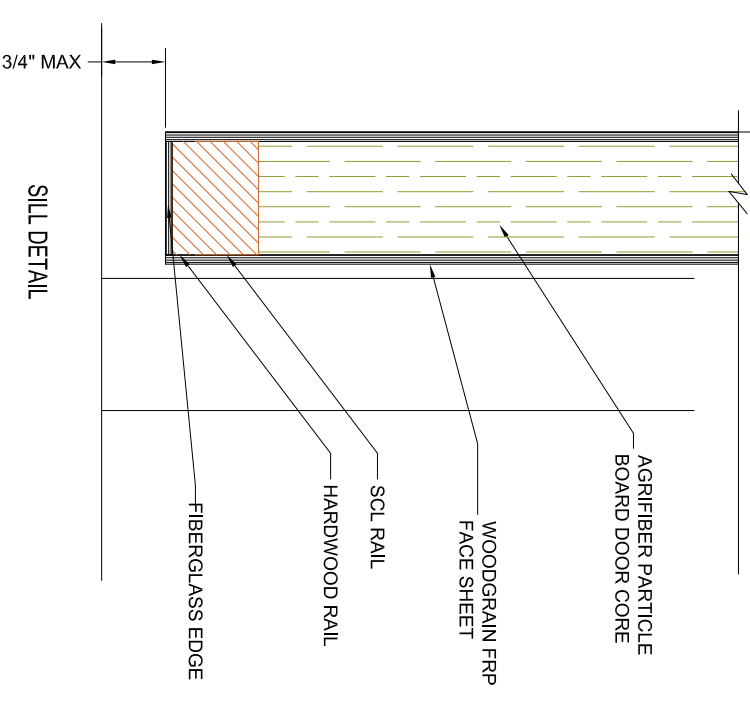
VISION LITE KIT DETAIL 1/4" GLASS




LOCKSET MEETING DETAIL



DOOR HEAD DETAIL



SILL DETAIL

 <p>Special-Lite ENGINEERED ARCHITECTURAL SOLUTIONS</p>		<p>SPECIAL-LITE, INC. 880 South Williams Street DECATUR, IN 49045 WWW.SPECIAL-LITE.COM</p>	
<p>DRAWN BY: JMW</p> <p>REVISION: C 10/23/19</p> <p>E 13/22/20 C 10/23/19</p> <p>B 10/27/19 D 11/16/19</p>	<p>SLI-19-1FR FRP - WOODGRAIN-TEXTURE DOOR</p> <p>DATE: 03/02/20</p> <p>SHEET NO. 1 OF 1</p> <p>FILE:SLI19-1FRFRP.LS.dwg</p>		