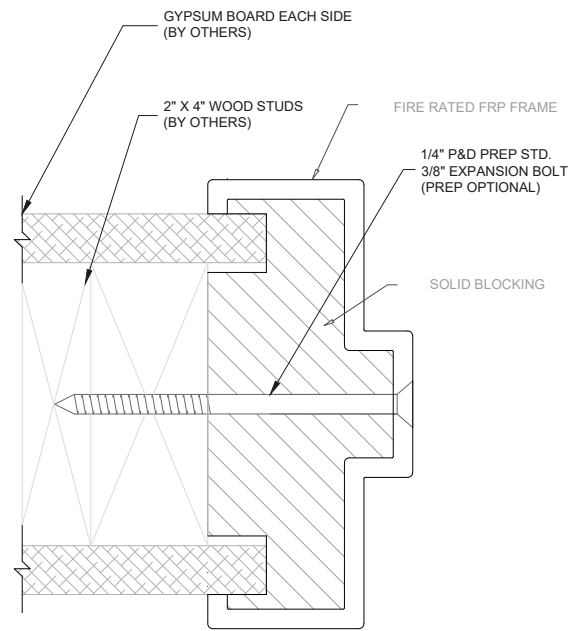
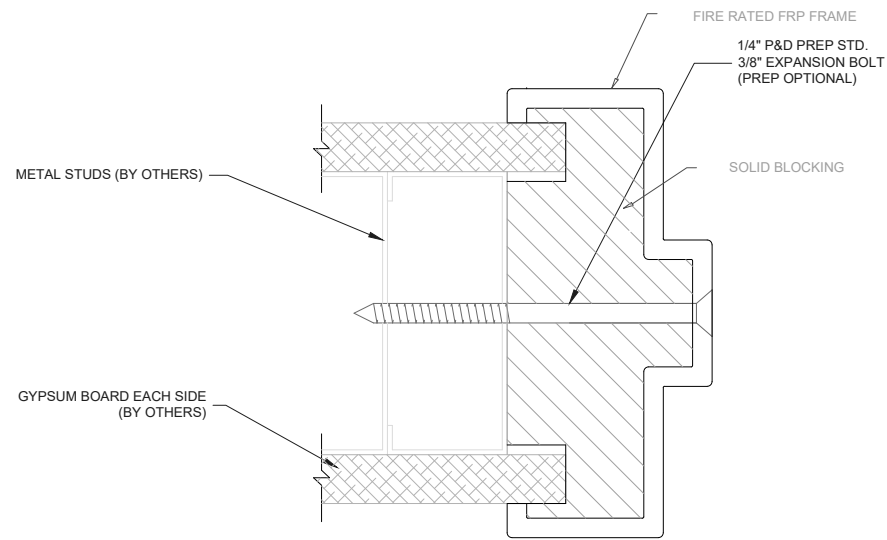
 <b>Special-Lite</b> ENGINEERED ARCHITECTURAL SOLUTIONS		SPECIAL-LITE, INC. 860 South Williams Street P.O. BOX 6 DECATUR, MI 49045 WWW.SPECIAL-LITE.COM	
		DRAWN BY: JMM REVISION: AF-FR FRAMING	DATE: 5/6/2020 SHEET NO. 1 OF 1 FILE: AF-FR FRAMING DETAILS
A 5/6/20 B	C D		

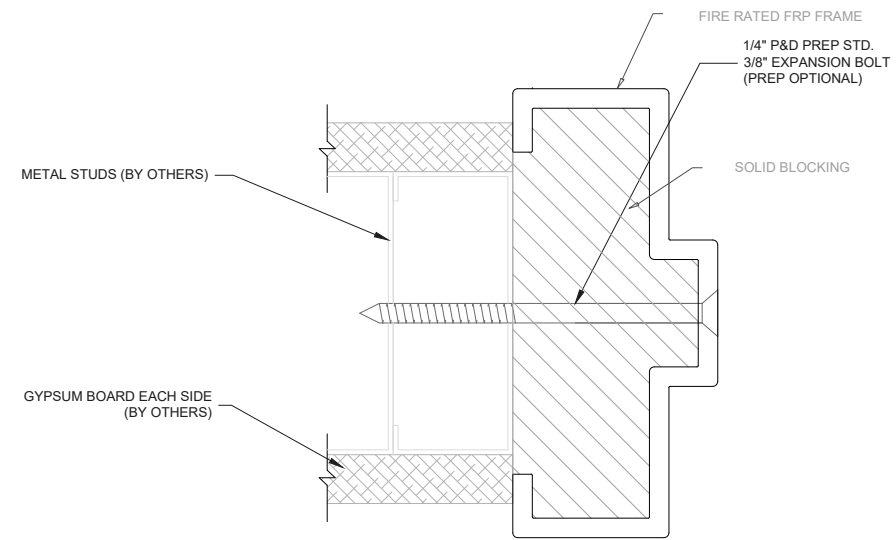
# AF - FR FRAMING ANCHORING



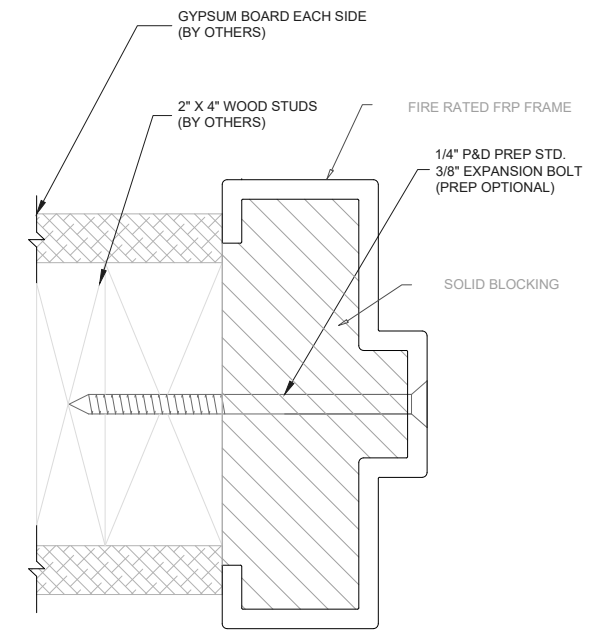
DRYWALL TUCK  
FIRE RATED FRAME AT NEW  
WOOD STUD WALL



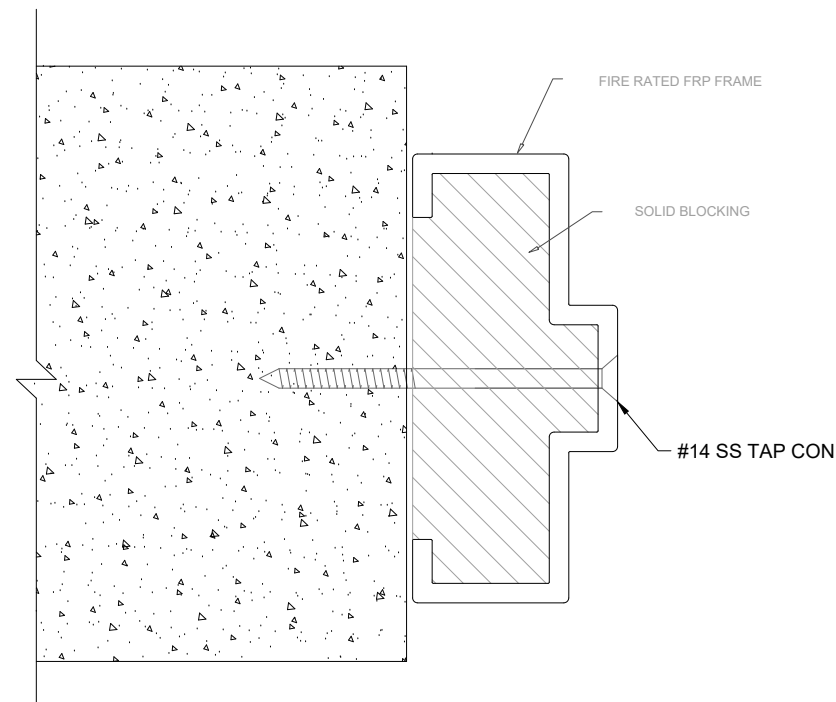
DRYWALL TUCK  
FIRE RATED FRAME AT NEW  
METAL STUD WALL




PUNCH AND DIMPLE  
FIRE RATED FRAME AT EXISTING  
METAL STUD WALL



PUNCH AND DIMPLE  
FIRE RATED FRAME AT EXISTING  
WOOD STUD WALL



PUNCH AND DIMPLE  
EXISTING CONCRETE OR BLOCK

 <b>Special-Lite</b> <small>ENGINEERED ARCHITECTURAL SOLUTIONS</small>		SPECIAL-LITE, INC. 860 South Williams Street P.O. BOX 6 DECATUR, MI 49045 WWW.SPECIAL-LITE.COM	
		DRAWN BY: JMM REVISION: AF-FR FRAMING	DATE: 7/1/2020
A 7/1/20 C B 8/3/20 D			