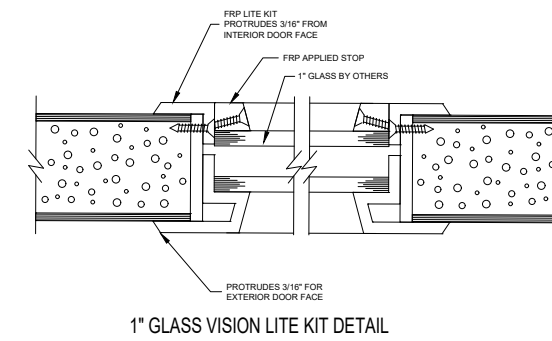
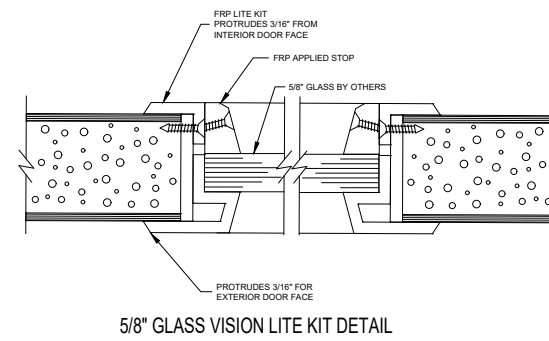
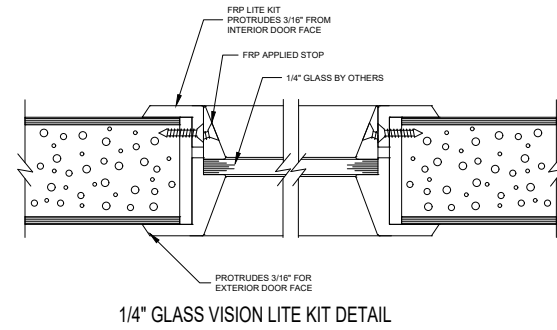
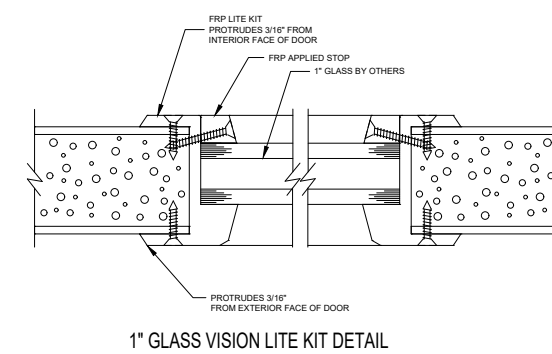
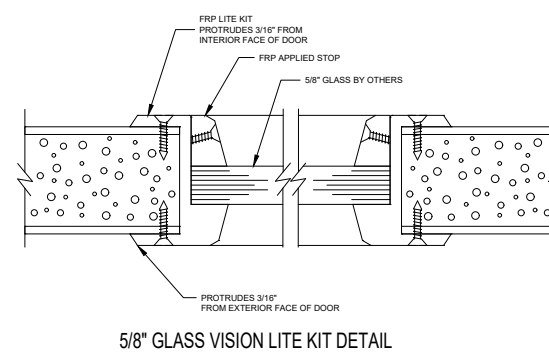
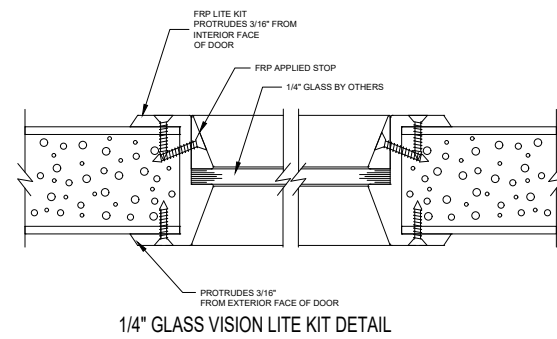



# AF VISION LITES

## AF COMPOSITE CONSTRUCTION



## AF 100 CONSTRUCTION



 <b>Special-Lite</b> ENGINEERED ARCHITECTURAL SOLUTIONS		SPECIAL-LITE, INC. 860 South Williams Street P.O. BOX 6 DECATUR, MI 49045 WWW.SPECIAL-LITE.COM	
		DRAWN BY: JMM REVISION:	AF VISION LITES
A 5/7/20 B	C D	SHEET NO. 1 OF 1	FILE: AFVISIONLITE