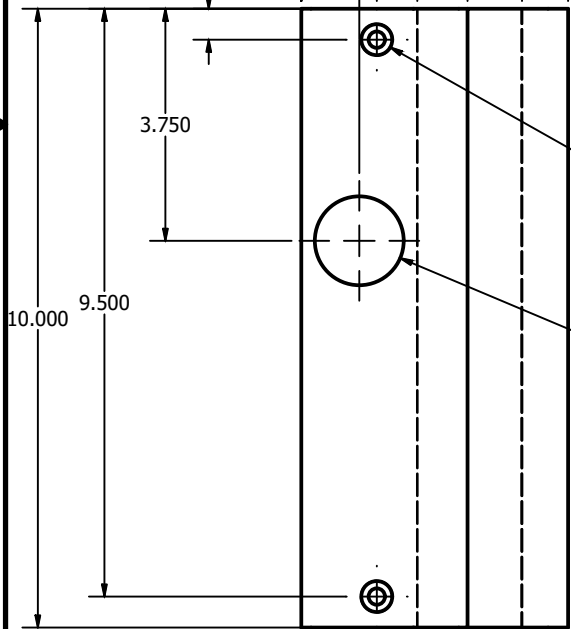
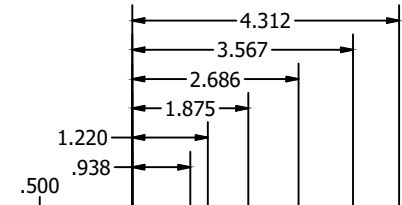


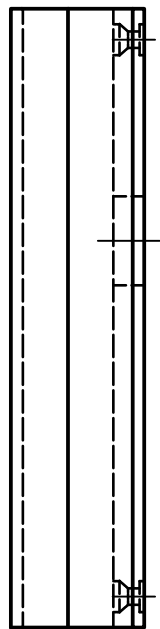
REVISION HISTORY				
ZONE	REV	DESCRIPTION	DATE	APPROVED
	A			

.500 .400 .261 .075



Ø.266 THRU
∠Ø.507 x 82°
2X

Ø1.437 THRU



UNLESS OTHERWISE SPECIFIED 0.0" ± 0.060" 0.00" ± 0.030" 0.000" ± 0.010" 0.0000" ± 0.002" ≤ ± 2.0° CORNER RADI 0.015" ALL MACHINED SURFACES TO BE FREE OF BURS	CONFIDENTIALITY NOTICE: THIS DRAWING, INCLUDING ANY ATTACHMENTS, IS FOR THE SOLE USE OF THE INTENDED RECIPIENT(S) AND MAY CONTAIN CONFIDENTIAL AND PRIVILEGED INFORMATION. ANY UNAUTHORIZED REVIEW, USE, DISCLOSURE OR DISTRIBUTION IS PROHIBITED. IF YOU ARE NOT THE INTENDED RECIPIENT, PLEASE CONTACT SPECIAL-LITE, INC. AND DESTROY ALL COPIES OF THE ORIGINAL DRAWING.		860 S. WILLIAMS STREET P.O. BOX 6 DECATUR, MI 49045 PH: (800) 821-6531 FX: (800) 423-7610 SPECIAL-LITE.COM	
	DRAWN BY J. McCauslin ENGINEER		DATE 4/10/2019	
	APPROVED BY J. McCauslin		TITLE SL-100 PULL LH	
	MATERIAL Aluminum 6063-T6		SCALE 1 / 2	DWG NO SL-100 LH