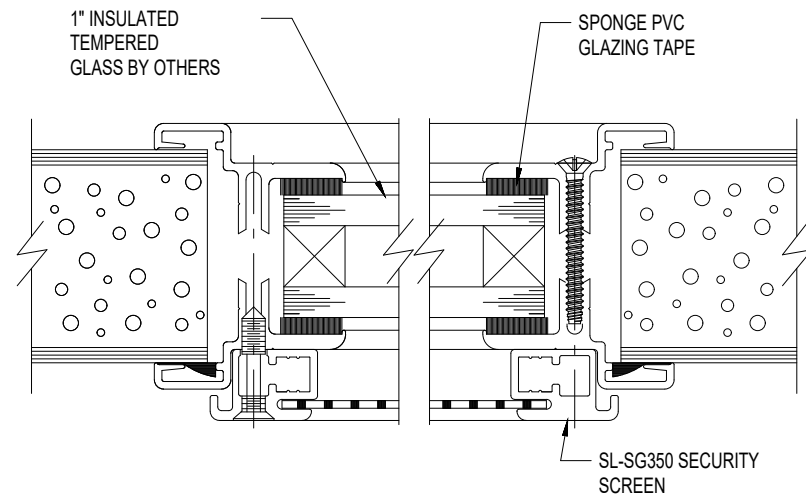
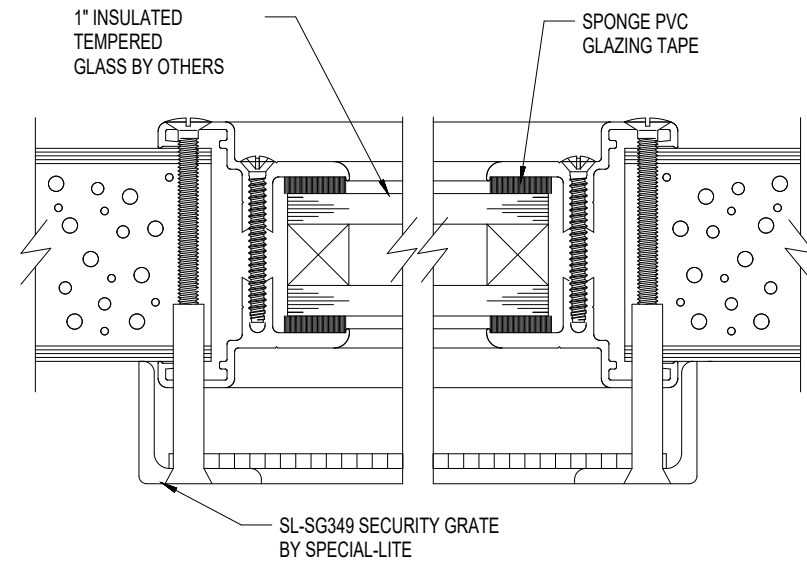
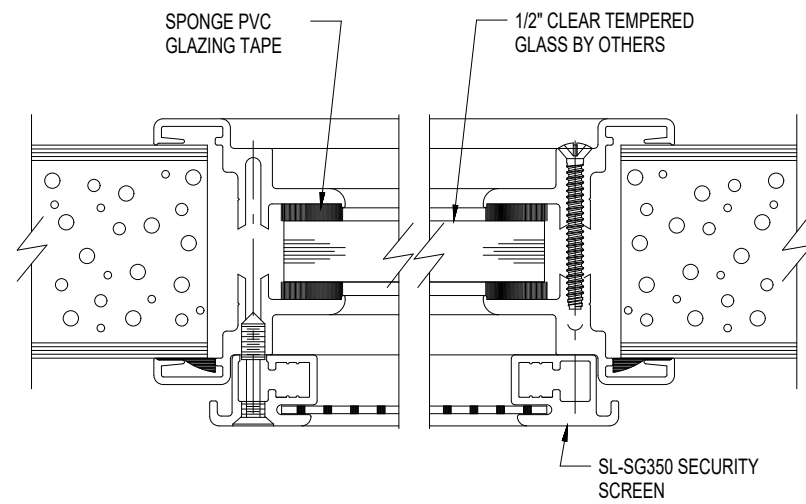
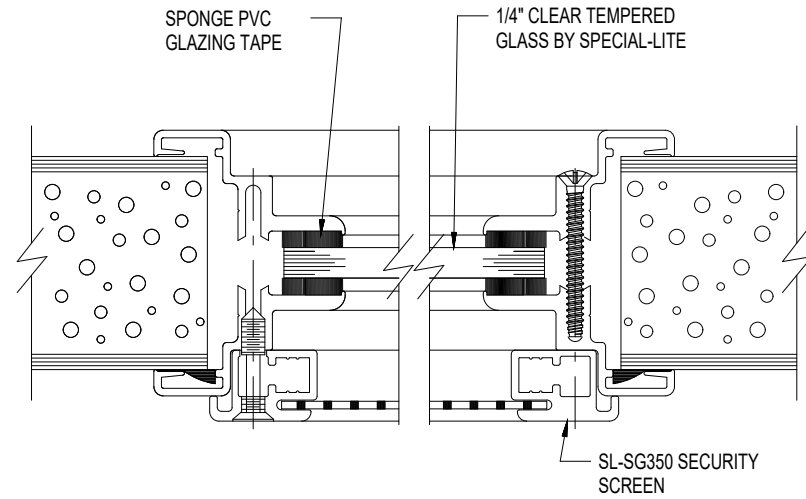



SECURITY GRATE / VANDAL SCREEN DETAILS



		SPECIAL-LITE, INC. 860 South Williams Street P.O. BOX 6 DECATUR, MI 49045 WWW.SPECIAL-LITE.COM	
		DRAWN BY: JMM REVISION:	
SECURITY GRATE / VANDAL SCREEN		DATE: 5/12/2020	SHEET NO. 1 OF 1
A 5/12/20 C B D	FILE: VANDALSCREENDETAILS		