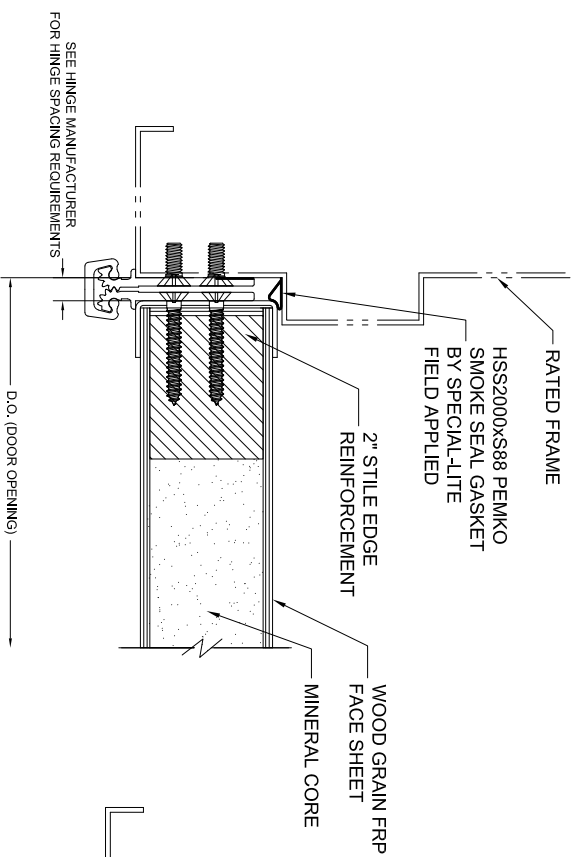
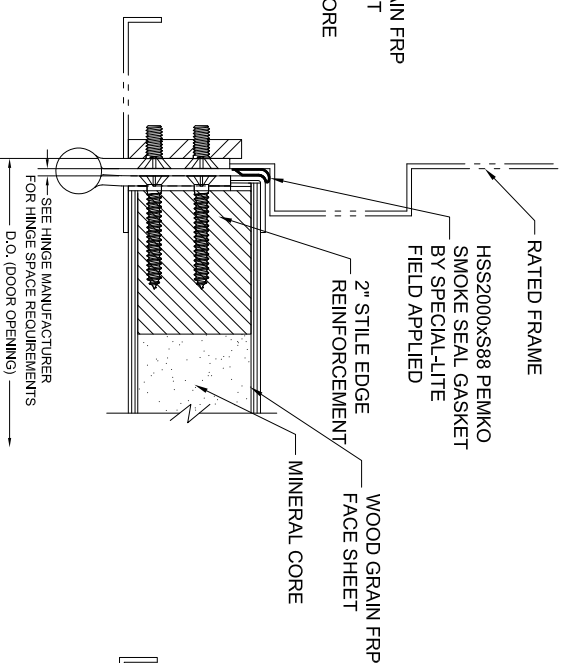


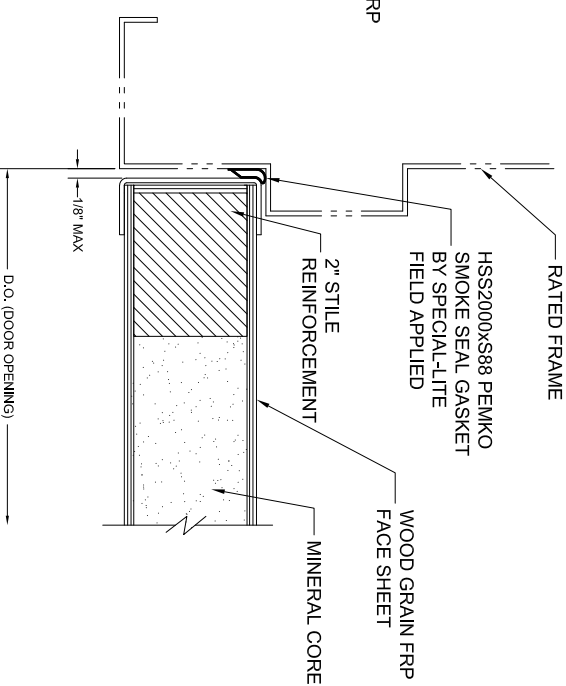
**\*All hardware preps and modifications to doors must be done in accordance with NFPA 80-16**



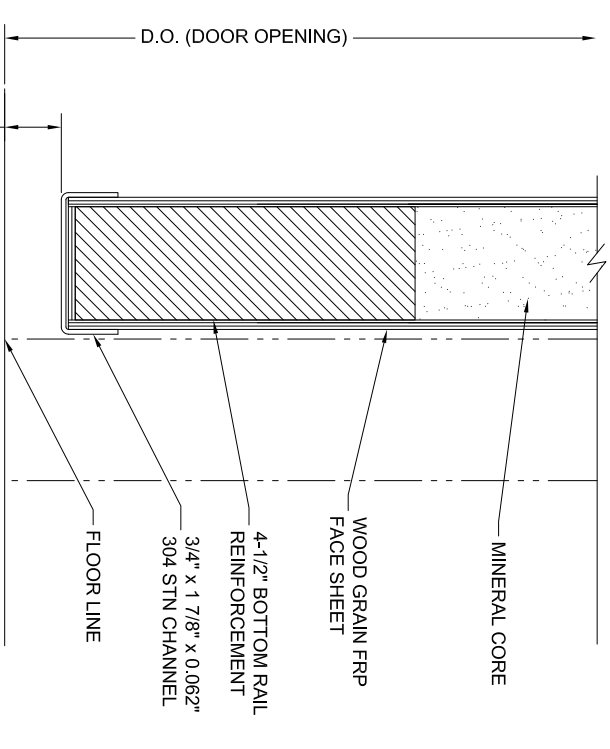
**1** CONTINUOUS HINGE JAMB DETAIL  
1:1



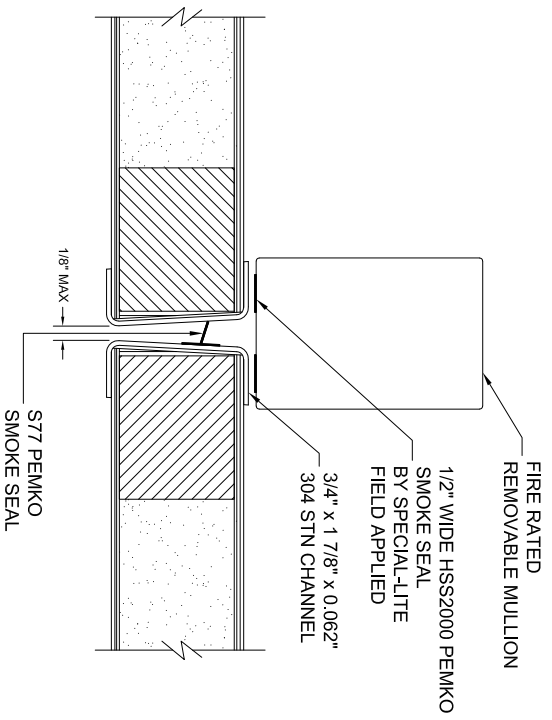
**2** BUTT HINGE JAMB DETAIL  
1:1



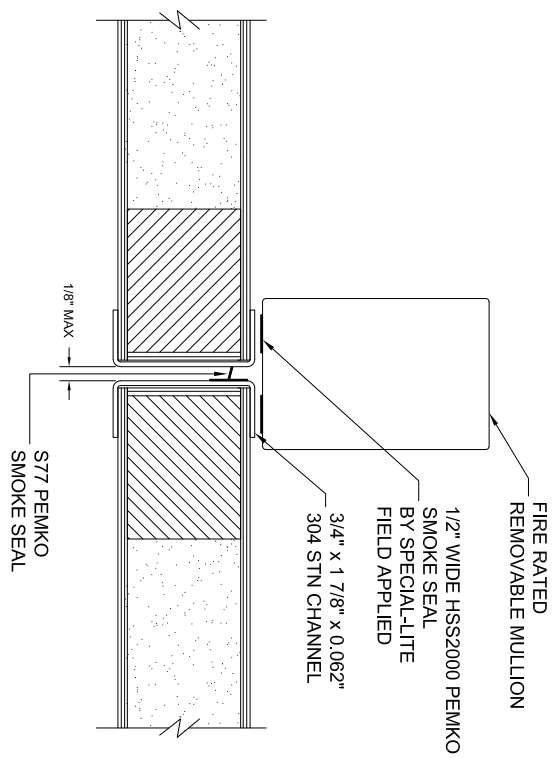
**3** LOCK JAMB DETAIL  
1:1



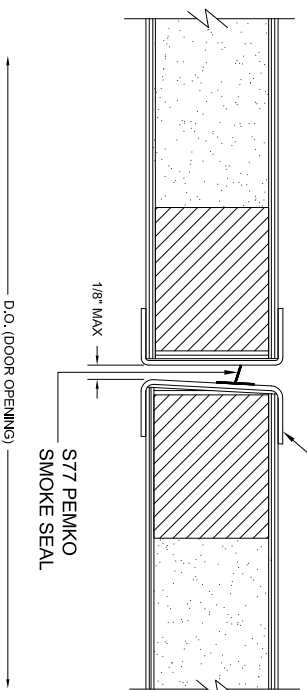
**4** SILL DETAIL  
1:1



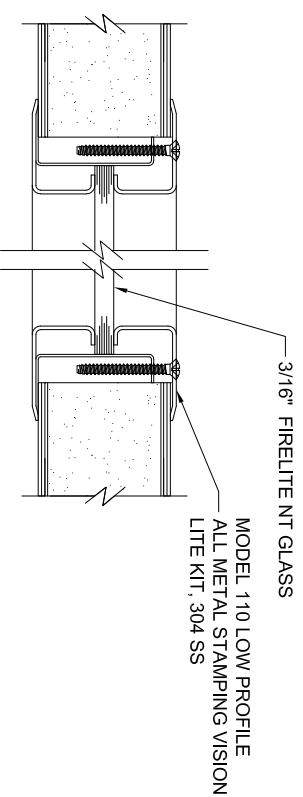
**5** STANDARD MEETING DETAIL  
1:1



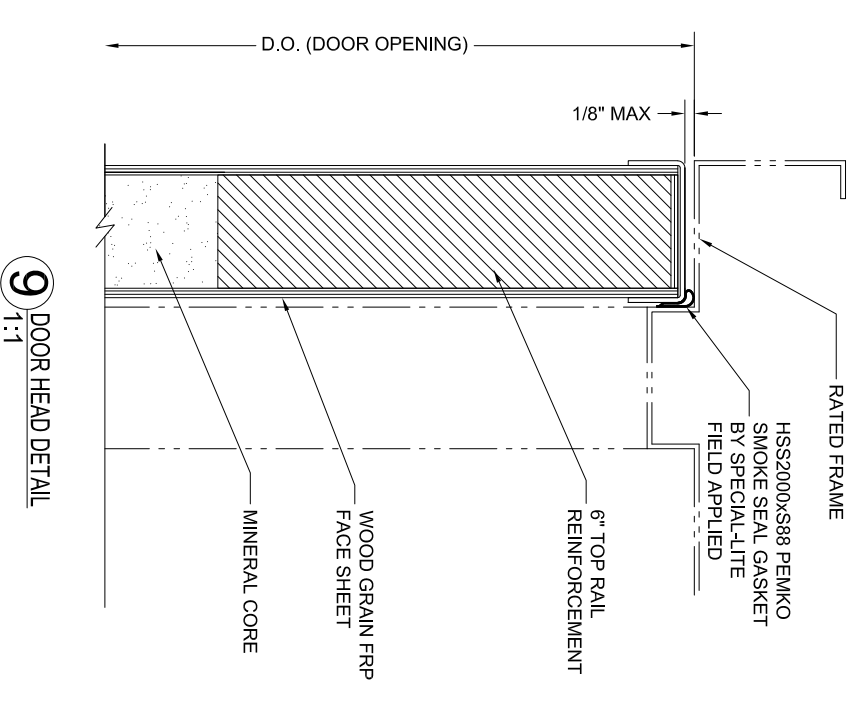
**6** OPTIONAL MEETING DETAIL  
1:1




**7** LOCKSET MEETING DETAIL  
1:1



**8** VISION-LITE KIT DETAIL  
1:1



**9** DOOR HEAD DETAIL  
1:1

 <p><b>Special-Lite®</b> ENGINEERED ARCHITECTURAL SOLUTIONS</p>		<p>SPECIAL-LITE, INC. 860 South Williams Street P.O. BOX 6 DECATUR, GA 49045 WWW.SPECIAL-LITE.COM</p>	
<p>DRAWN BY: JMM REVISION A 7/23/191B C D</p>	<p>SL-19-1FR FRP - WOOD GRAIN DOOR</p>	<p>DATE: 7/23/2019</p>	<p>SHEET NO. 1 OF 1</p>
<p>FILE: SL19-1FRBETA5.dwg</p>			