

2

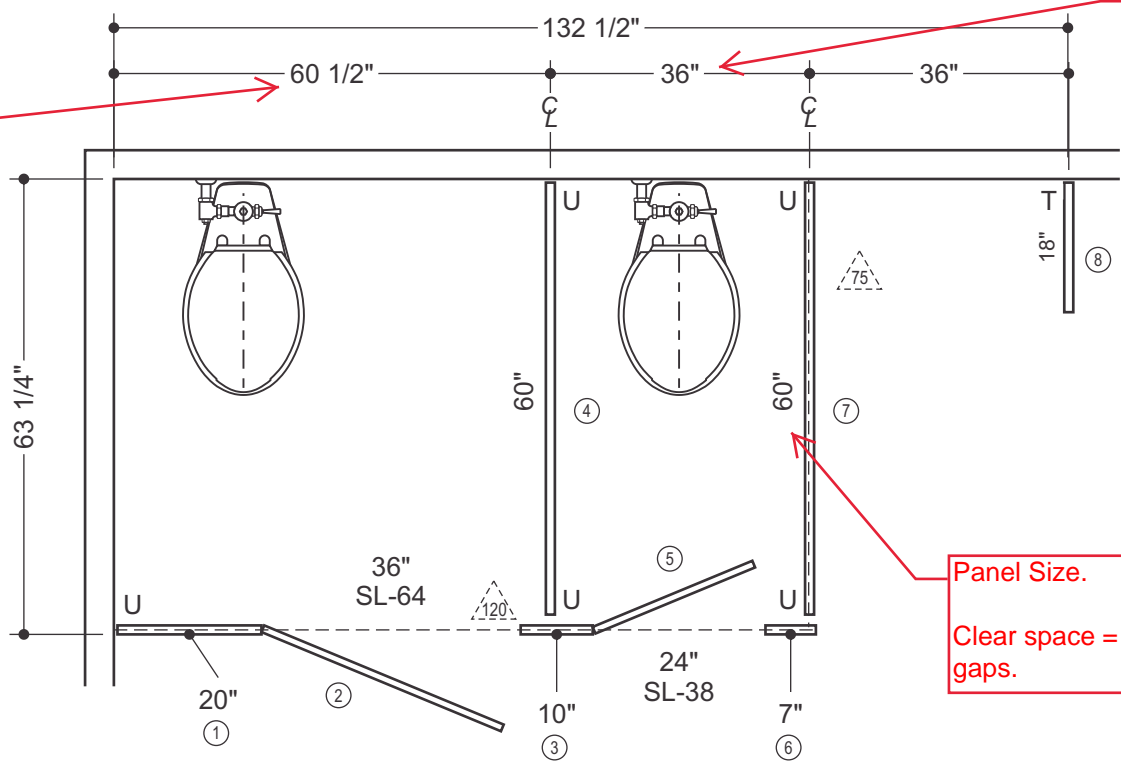
1

Measured from Wall to Centerline of Panel.  
Clear space = minus 5/8"

Measured Centerline of Panel to Centerline of Panel.  
Clear space = minus 1-1/4"

Overall Stall Depth: Back Wall to Front Face of Pilaster.  
Clear space = minus 1-1/4"

Panel Size.  
Clear space = Panel Size + Two 1" gaps.



# TP Measurement Guide

## CUSTOMER APPROVAL

DATE: \_\_\_\_\_

SIGN: \_\_\_\_\_

Aluminum Finish: CLEAR  
FRP Finish: Black

Position numbers are shown in circles.



# Special-Lite®

ENGINEERED ARCHITECTURAL SOLUTIONS

SPECIAL-LITE, INC.  
860 SOUTH WILLIAMS STREET  
P. O. BOX 6  
DECATUR, MI 49045  
WWW.SPECIAL-LITE.COM

REV. 1	DRAWN BY: Eric Fecho	CUSTOMER: Special-Lite
REV. 2	DATE: 3/6/2020	JOB NAME: Eric 2020 Test
REV. 3	P# 108085a	UNIT ID Room 1
REV. 4		

2

1