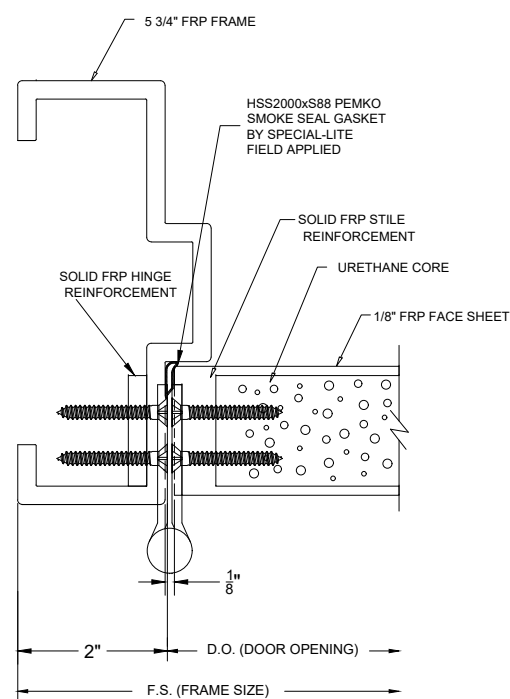
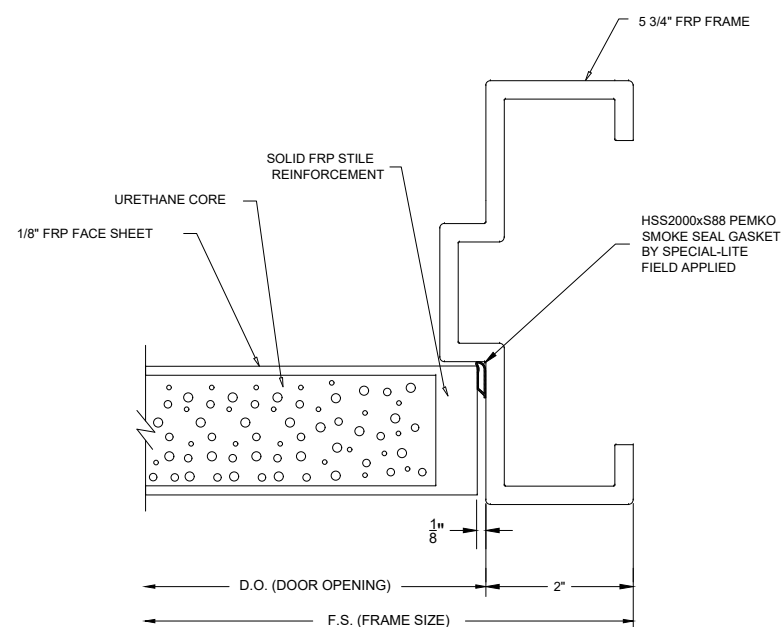


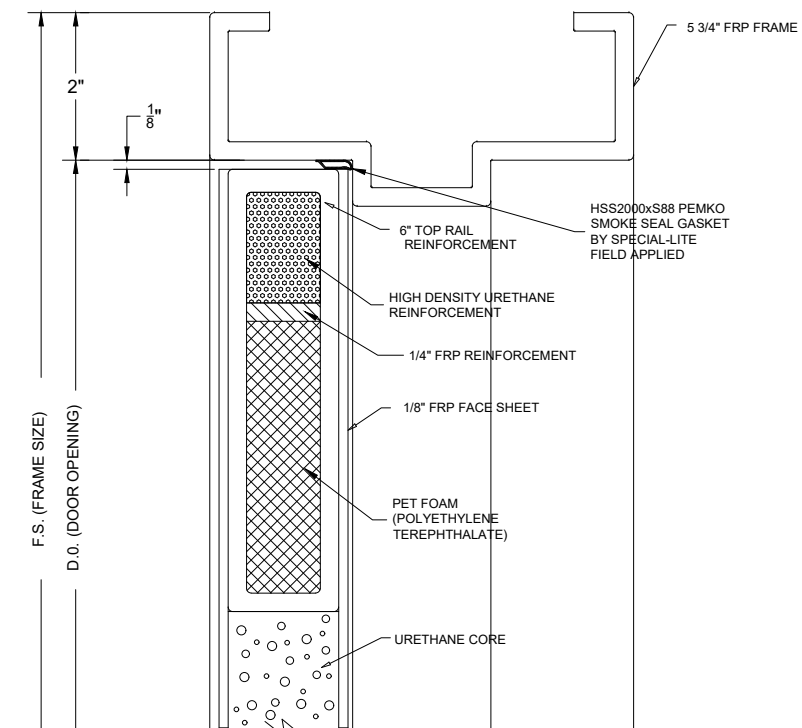
CONTINUOUS HINGE JAMB DETAIL



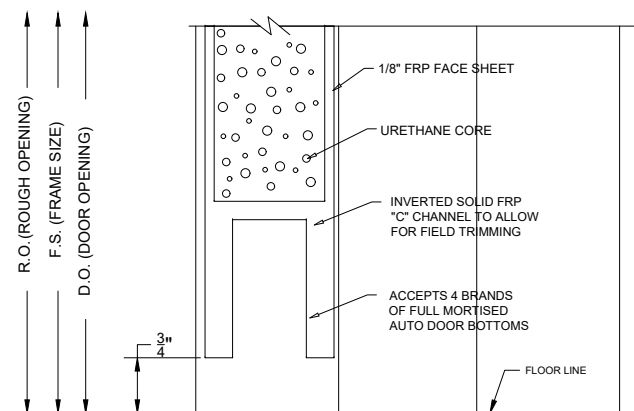
BUTT HINGE JAMB DETAIL



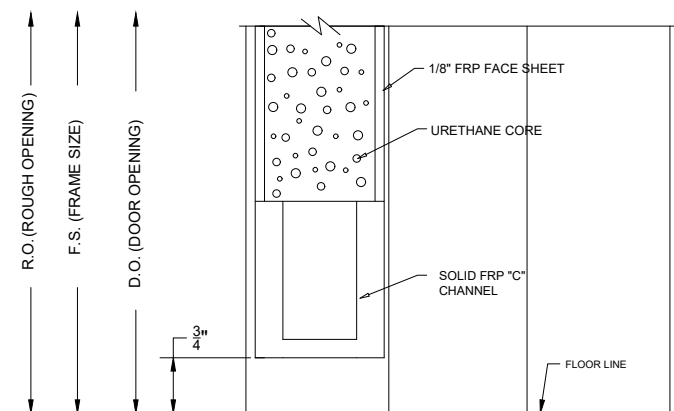
LOCK JAMB DETAIL



HEAD DETAIL



SILL DETAIL



SILL DETAIL (OPTIONAL)

		SPECIAL-LITE, INC. 860 South Williams Street P.O. BOX 6 DECATUR, MI 49045 WWW.SPECIAL-LITE.COM	
		DRAWN BY: BAS REVISION:	AF-100 with 20-Min Rating
E 8/3/22 G 6/21/24	F 4/29/24 H	DATE: 4/29/2024	SHEET NO. 1 OF 1
		FILE: AF100-20RATED	