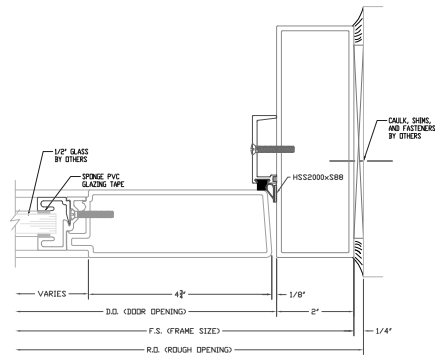
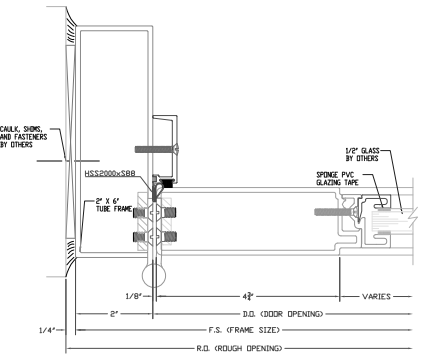


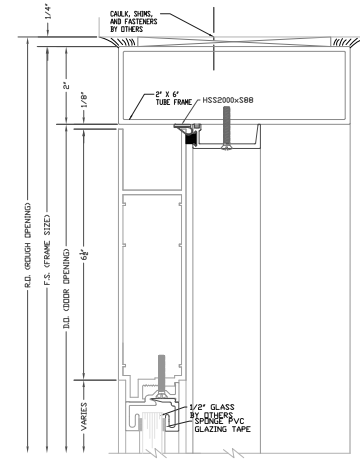
CONTINUOUS HINGE JAMB DETAIL



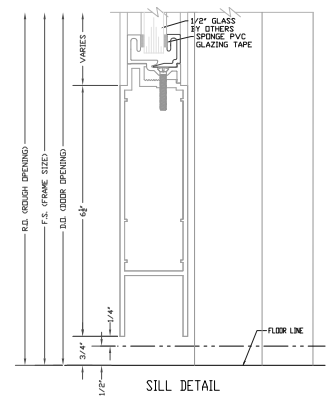
LOCK JAMB DETAIL



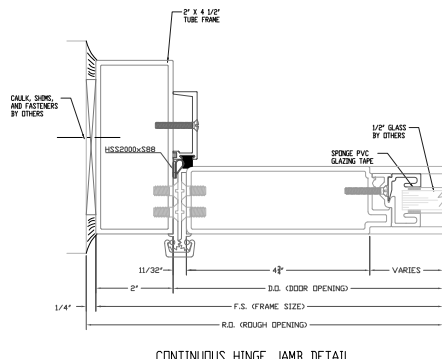
BUTT HINGE DETAIL



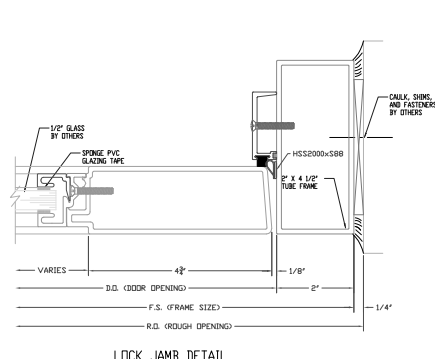
HEAD DETAIL



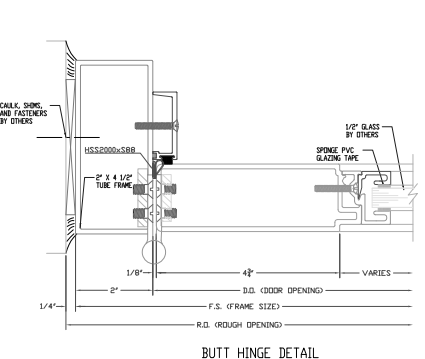
SILL DETAIL



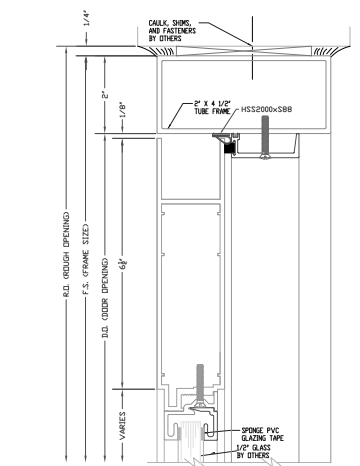
CONTINUOUS HINGE JAMB DETAIL



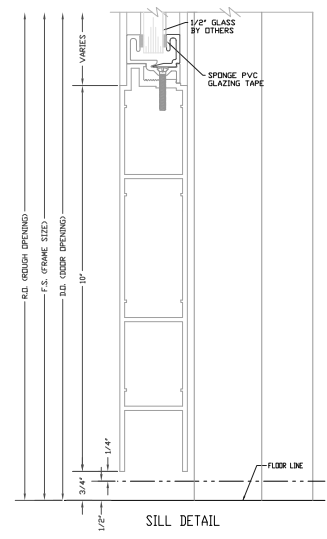
LOCK JAMB DETAIL



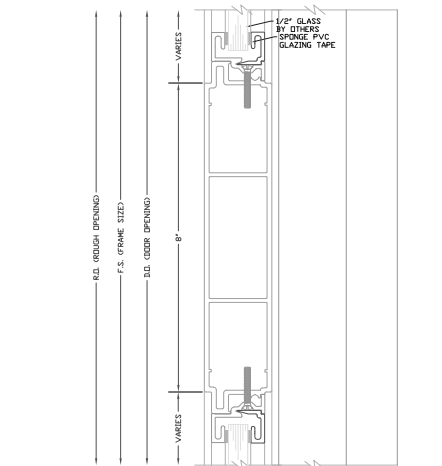
BUTT HINGE DETAIL



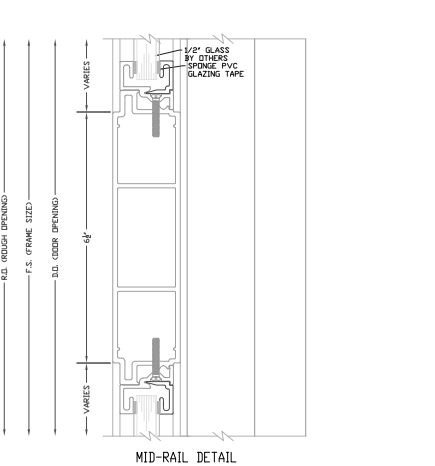
HEAD DETAIL



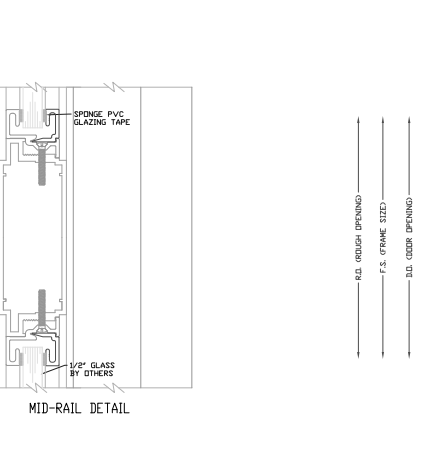
SILL DETAIL



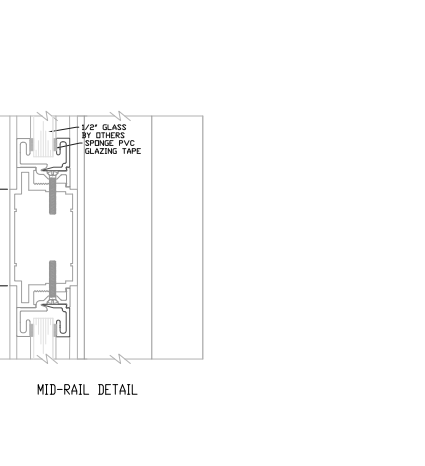
MID-RAIL DETAIL



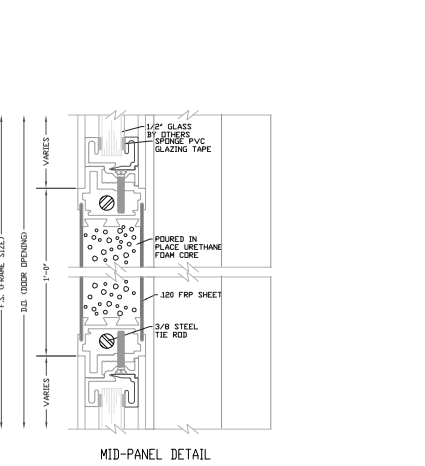
MID-RAIL DETAIL



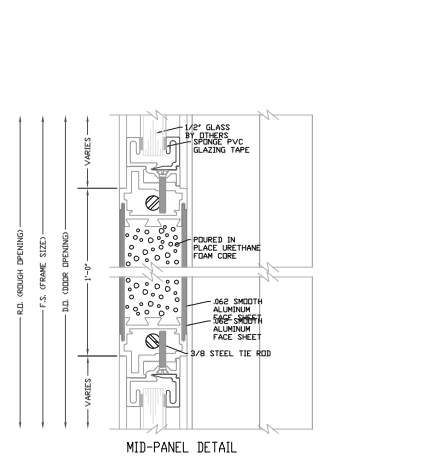
MID-RAIL DETAIL



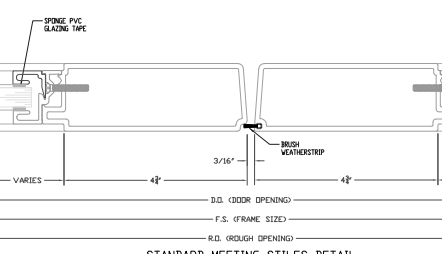
MID-RAIL DETAIL



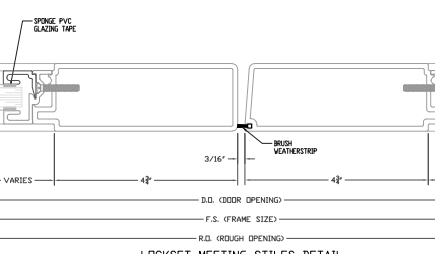
MID-PANEL DETAIL



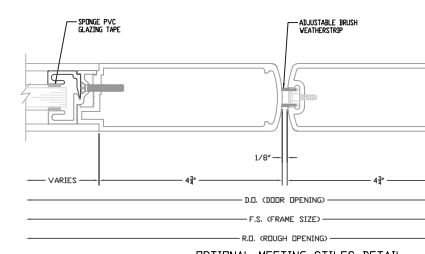
MID-PANEL DETAIL



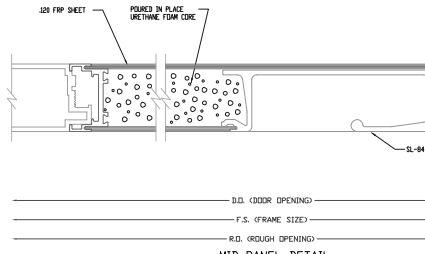
STANDARD MEETING STILES DETAIL



LOCKSET MEETING STILES DETAIL



OPTIONAL MEETING STILES DETAIL



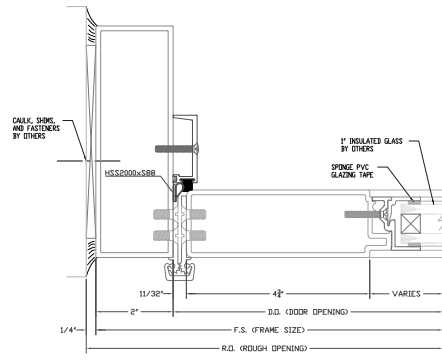
MID-PANEL DETAIL



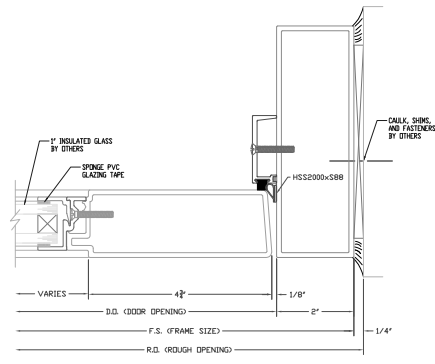
**Special-Lite**  
ENGINEERED ARCHITECTURAL SOLUTIONS

SPECIAL-LITE, INC.  
860 South Williams Street  
P.O. BOX 6  
DECATUR, MI 49045  
[WWW.SPECIAL-LITE.COM](http://WWW.SPECIAL-LITE.COM)

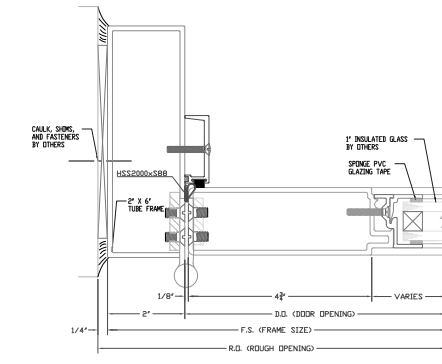
DRAWN BY: JAE		REVISION		SL-15 S-LABEL WIDE STILE MONUMENTAL	
A	11/5/20	C		DATE:	11/5/2020
B		D		SHEET NO.	1 OF 3
				FILE:	SL15SDetails.dwg



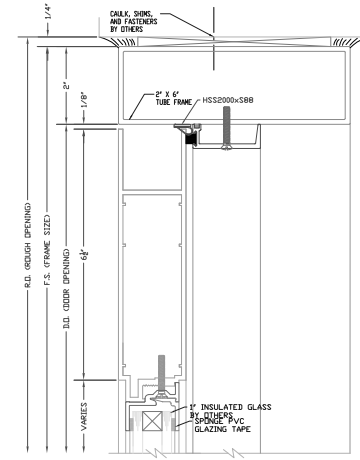
CONTINUOUS HINGE JAMB DETAIL



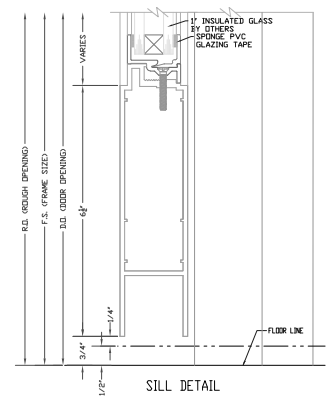
LOCK JAMB DETAIL



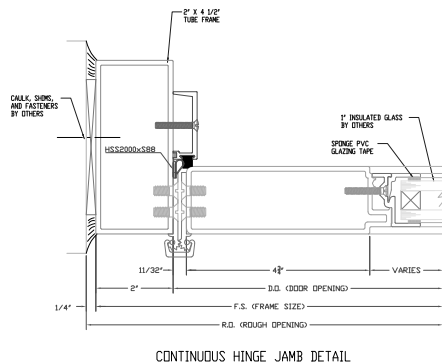
BUTT HINGE DETAIL



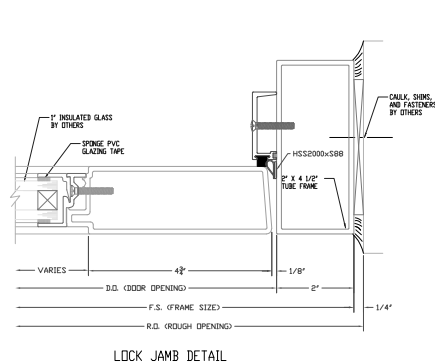
HEAD DETAIL



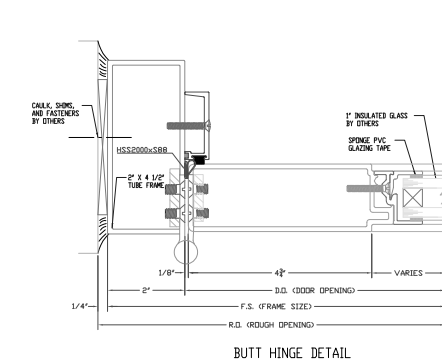
SILL DETAIL



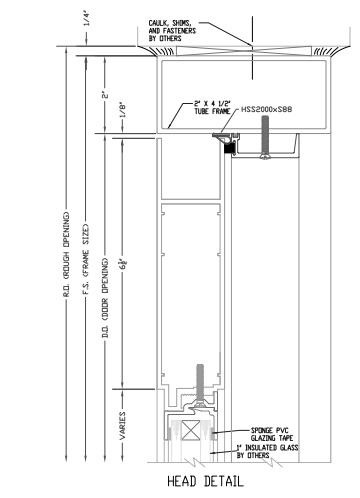
CONTINUOUS HINGE JAMB DETAIL



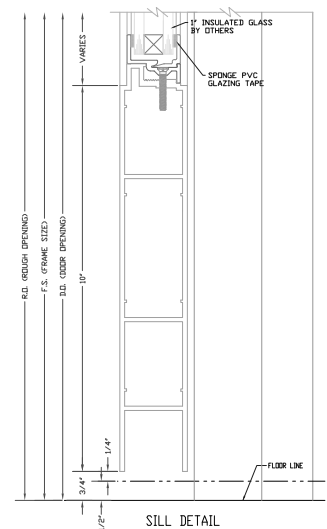
LOCK JAMB DETAIL



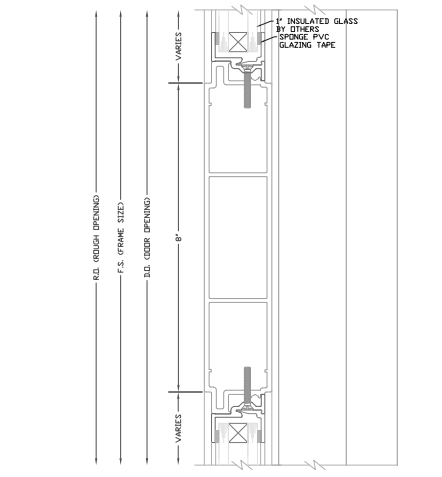
BUTT HINGE DETAIL



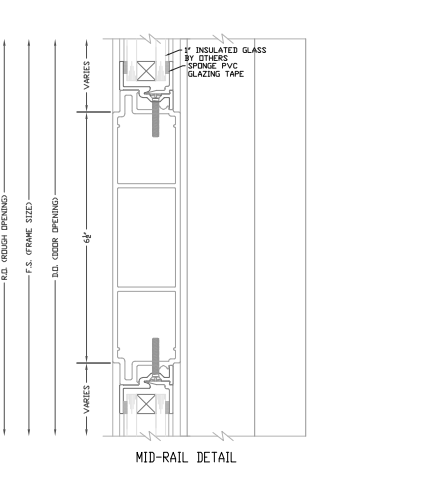
HEAD DETAIL



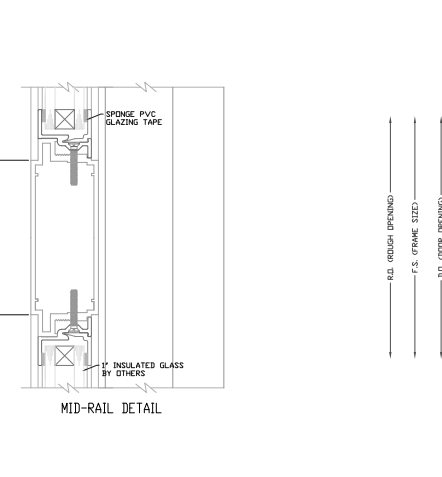
SILL DETAIL



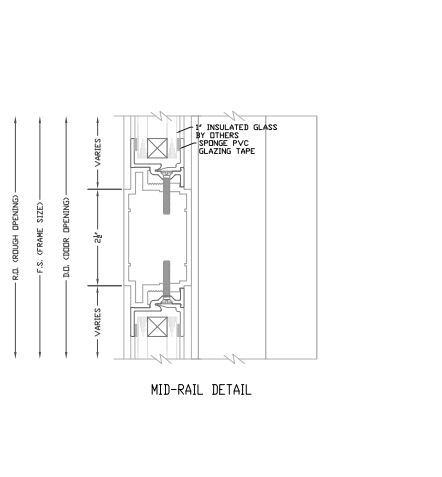
MID-RAIL DETAIL



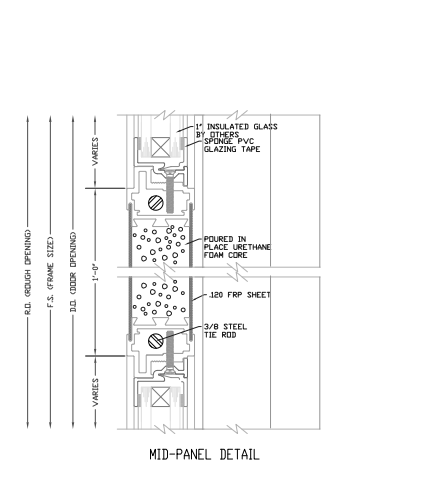
MID-RAIL DETAIL



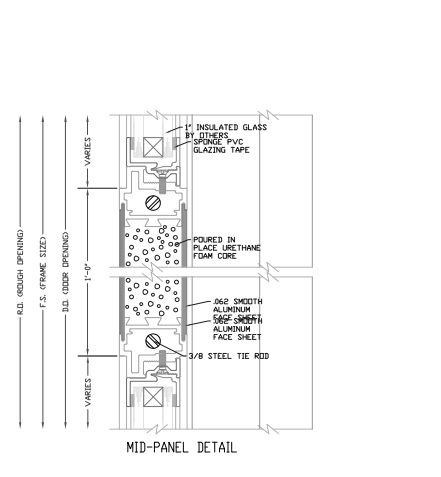
MID-RAIL DETAIL



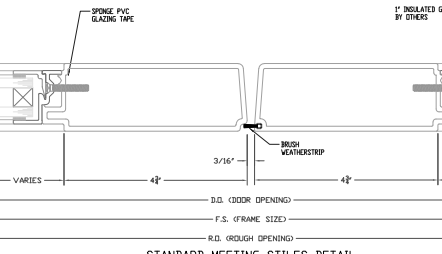
MID-RAIL DETAIL



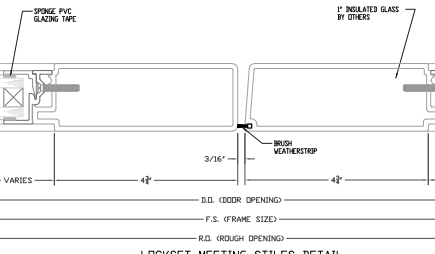
MID-PANEL DETAIL



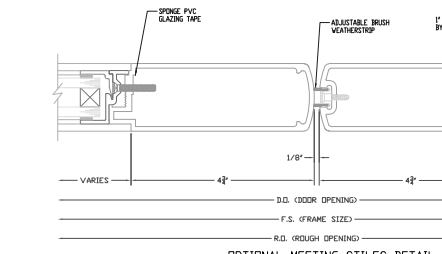
MID-PANEL DETAIL



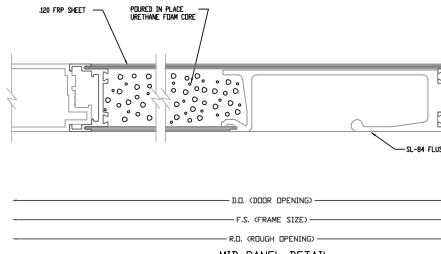
STANDARD MEETING STILES DETAIL



LOCKSET MEETING STILES DETAIL

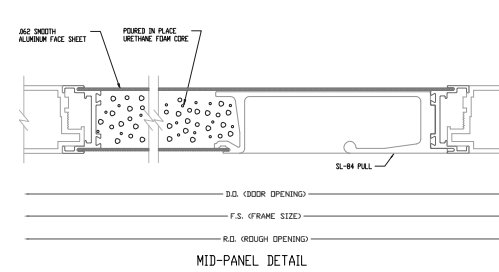
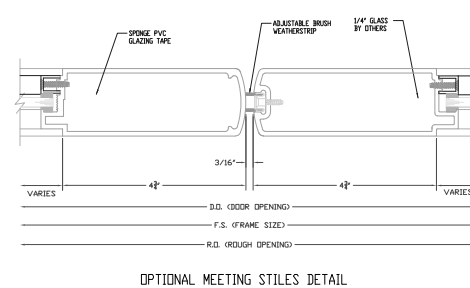
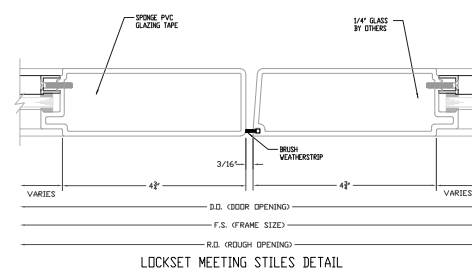
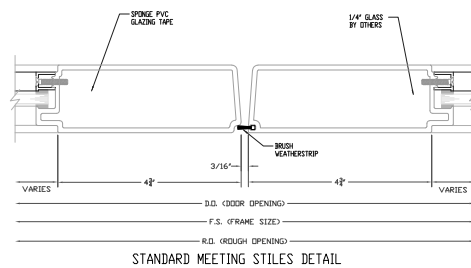
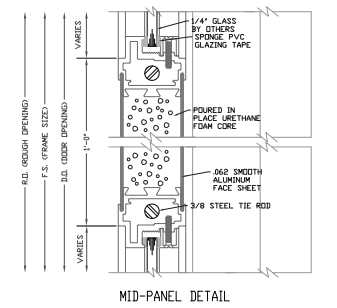
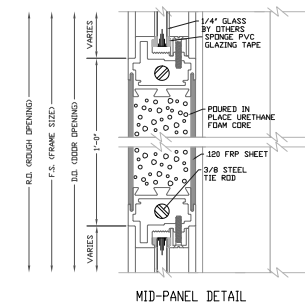
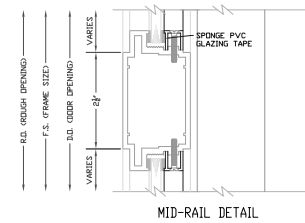
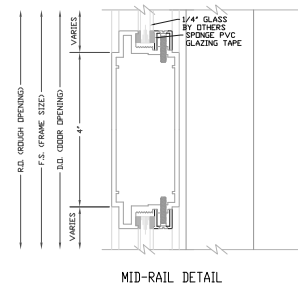
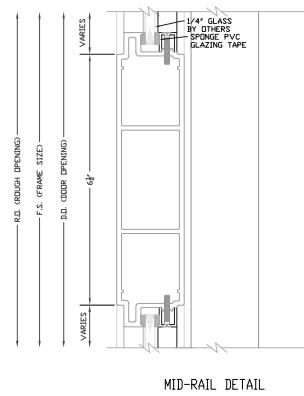
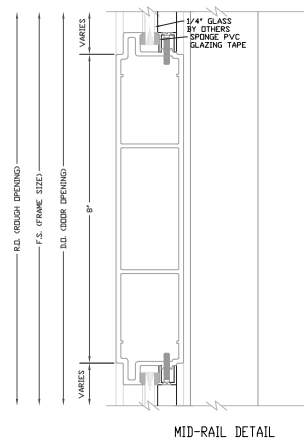
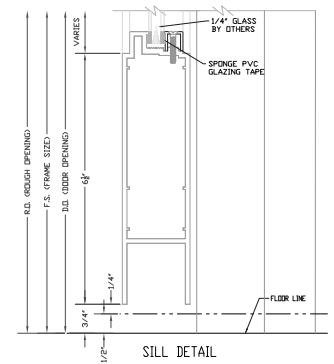
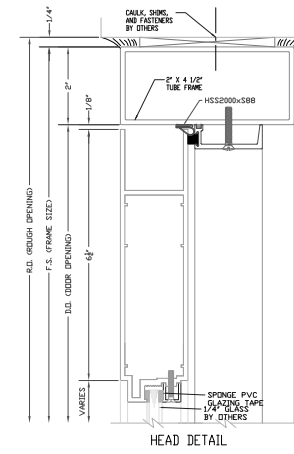
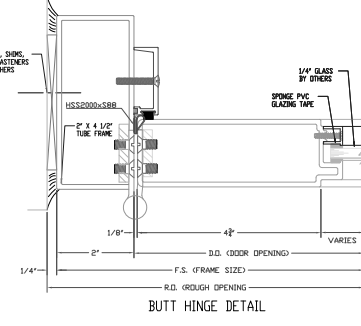
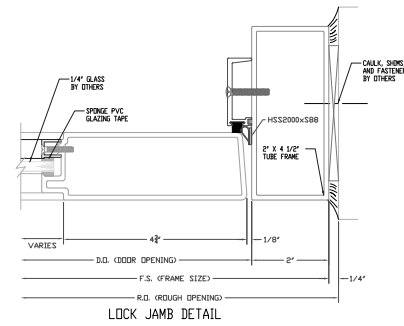
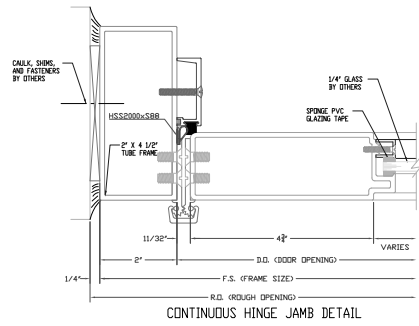
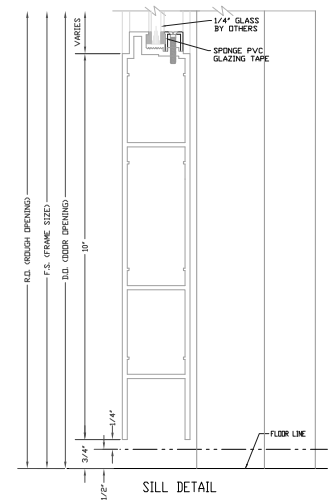
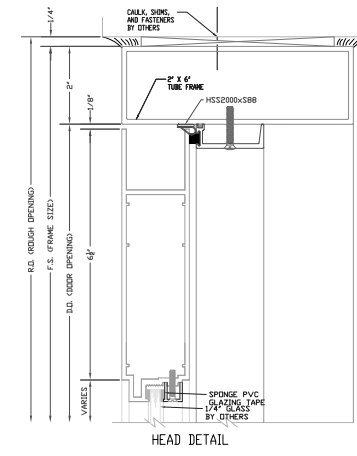
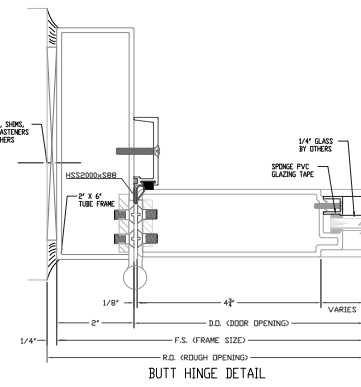
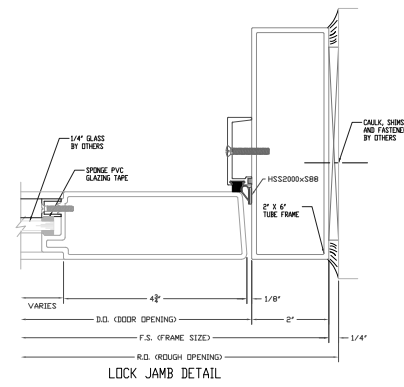
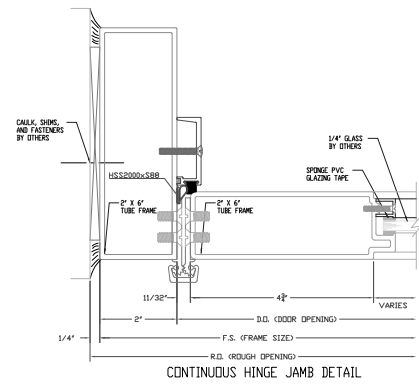


OPTIONAL MEETING STILES DETAIL



MID-PANEL DETAIL

		SPECIAL-LITE, INC. 860 South Williams Street P.O. BOX 6 DECATUR, MI 49045 WWW.SPECIAL-LITE.COM	
		SL-15 S-LABEL WIDE STILE MONUMENTAL	
DRAWN BY: JAE	REVISION:	DATE: 11/5/2020	SHEET NO. 2 OF 3
A 11/5/20 C	B	D	FILE: SL15SDetails.dwg



		<b>SPECIAL-LITE, INC.</b> 860 South Williams Street P.O. BOX 6 DECATUR, MI 49045 WWW.SPECIAL-LITE.COM	
		SL-15 S-LABEL WIDE STILE MONUMENTAL	
DRAWN BY: JAE	REVISION:	DATE: 11/5/2020	SHEET NO. 3 OF 3
A 11/5/20 C	B D	FILE: SL15SDetails.dwg	