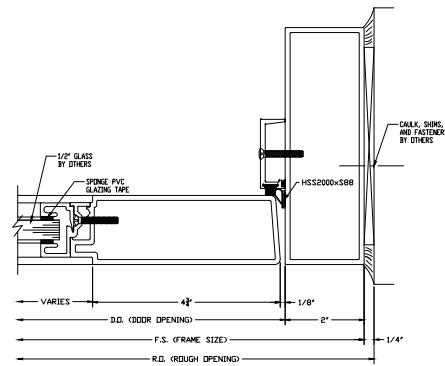
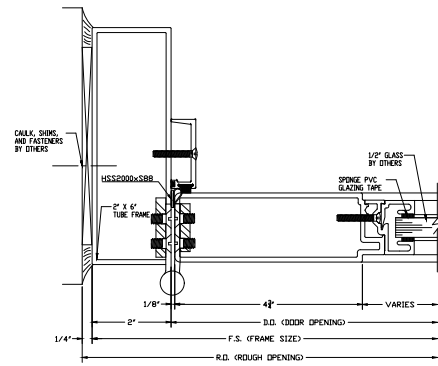


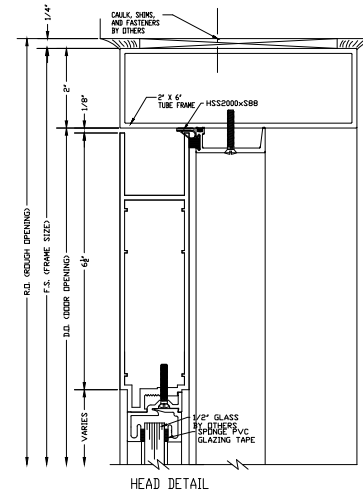
CONTINUOUS HINGE JAMB DETAIL



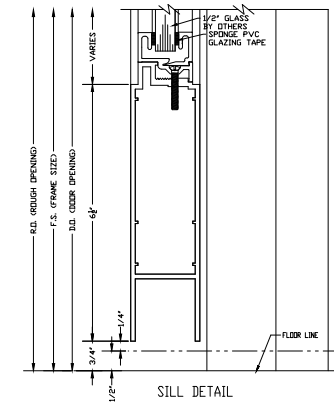
LOCK JAMB DETAIL



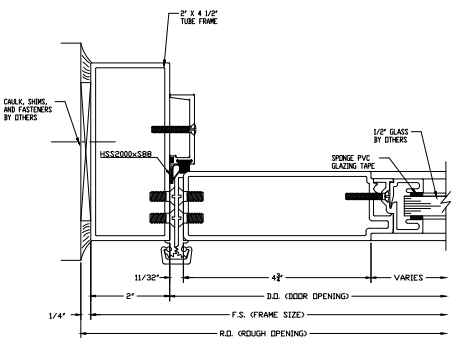
BUTT HINGE DETAIL



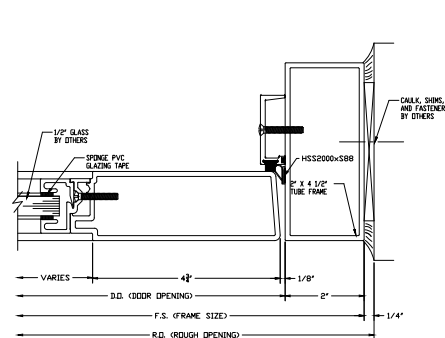
HEAD DETAIL



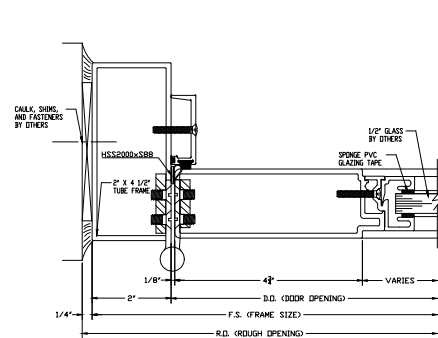
SILL DETAIL



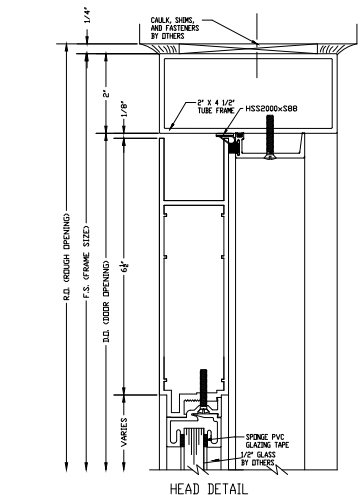
CONTINUOUS HINGE JAMB DETAIL



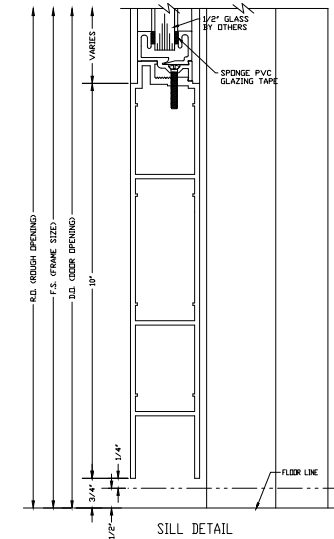
LOCK JAMB DETAIL



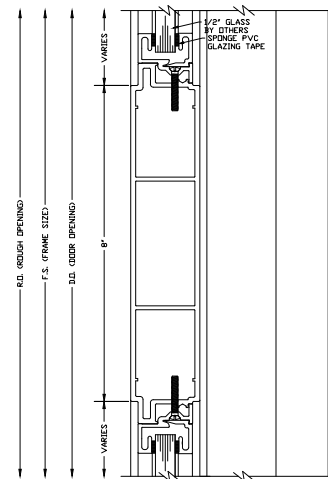
BUTT HINGE DETAIL



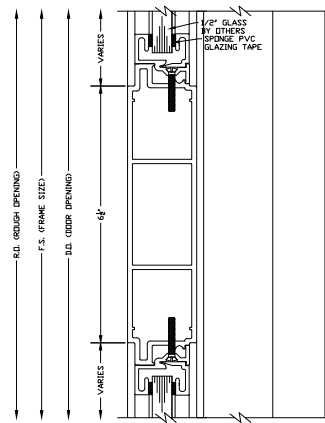
HEAD DETAIL



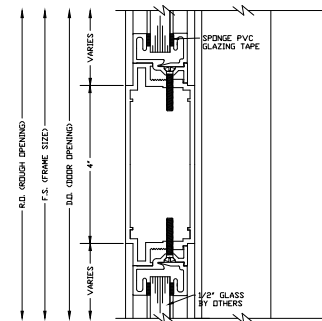
SILL DETAIL



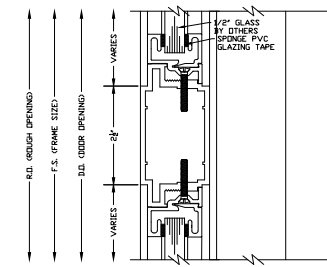
MID-RAIL DETAIL



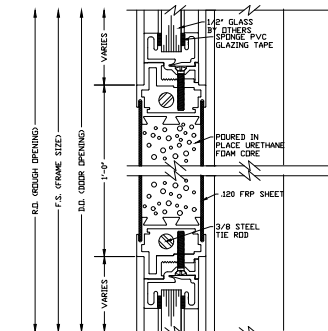
MID-RAIL DETAIL



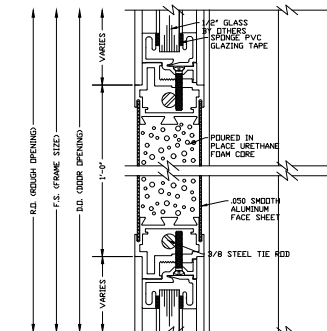
MID-RAIL DETAIL



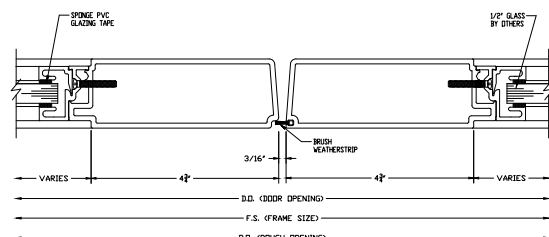
MID-RAIL DETAIL



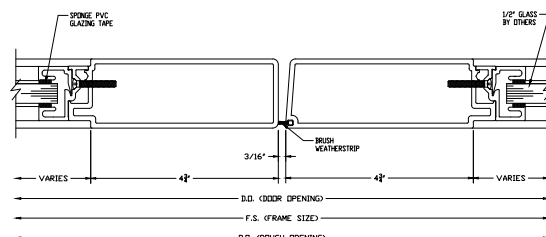
MID-PANEL DETAIL



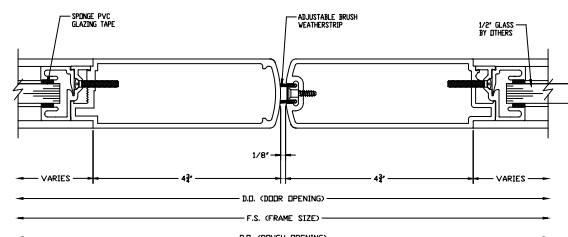
MID-PANEL DETAIL



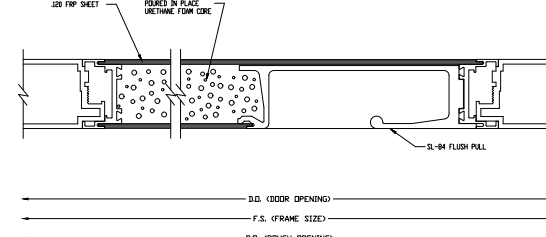
STANDARD MEETING STILES DETAIL



LOCKSET MEETING STILES DETAIL

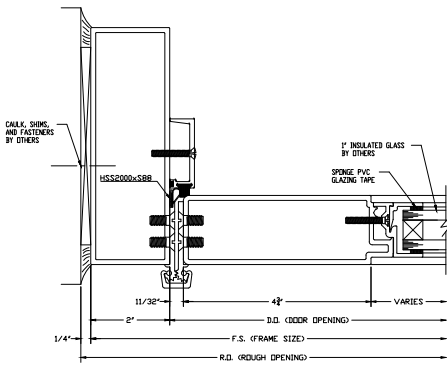


OPTIONAL MEETING STILES DETAIL

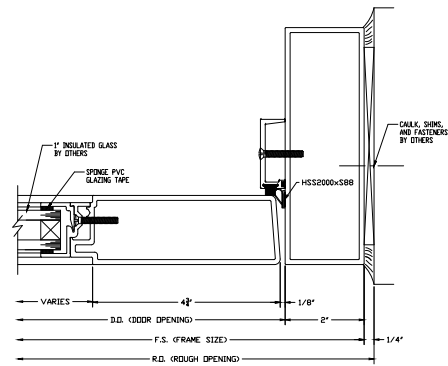


MID-PANEL DETAIL

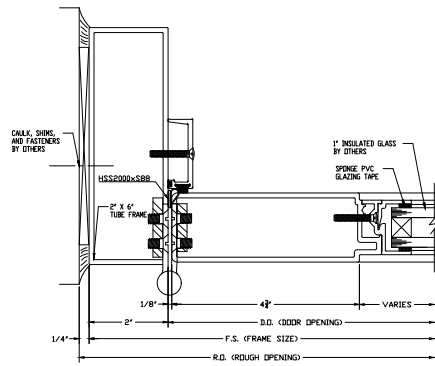
		<b>SPECIAL-LITE, INC.</b> 860 South Williams Street P.O. BOX 6 DECATUR, MI 49045 <a href="http://WWW.SPECIAL-LITE.COM">WWW.SPECIAL-LITE.COM</a>	
		SL-15 S-LABEL WIDE STILE MONUMENTAL	
DRAWN BY: JAE REVISION:	DATE: 11/5/2020	SHEET NO. 1 OF 3	FILE: SL15DETAILS.dwg
A 11/5/20 C 2/18/25 B 11/1/21 D			



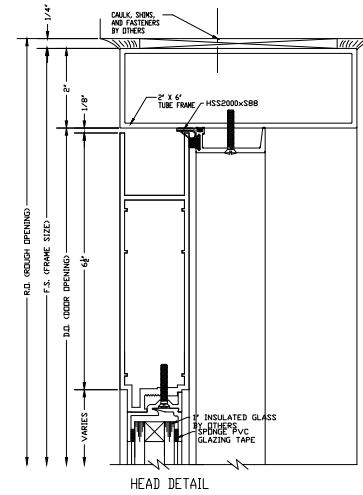
CONTINUOUS HINGE JAMB DETAIL



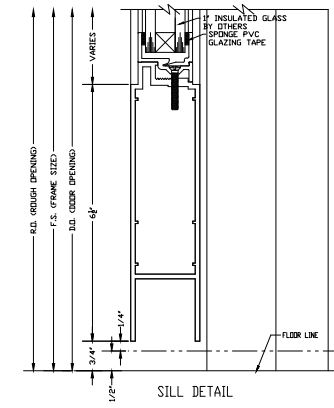
LOCK JAMB DETAIL



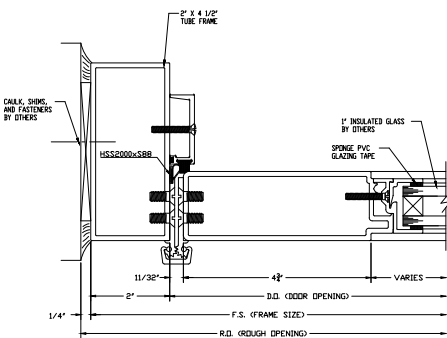
BUTT HINGE DETAIL



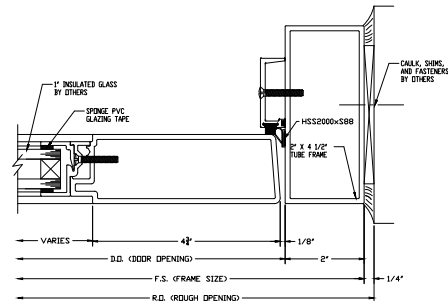
HEAD DETAIL



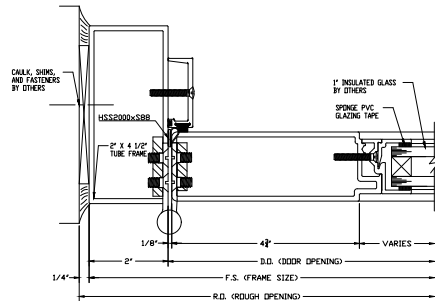
SILL DETAIL



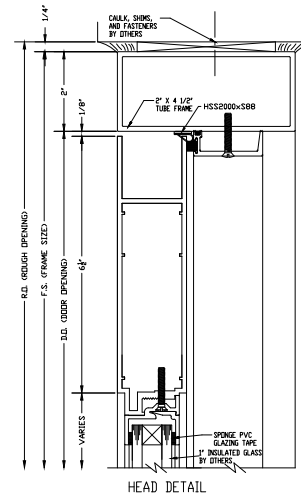
CONTINUOUS HINGE JAMB DETAIL



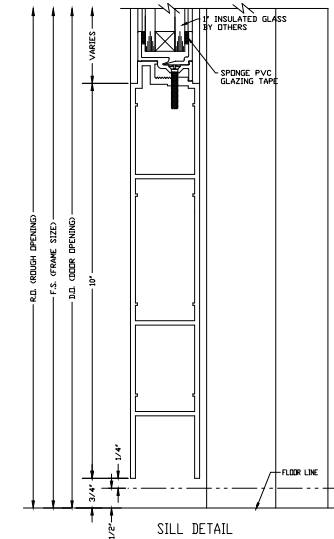
LOCK JAMB DETAIL



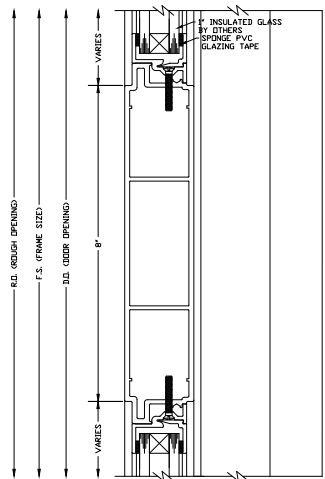
BUTT HINGE DETAIL



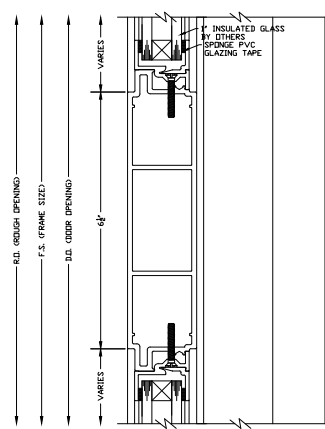
HEAD DETAIL



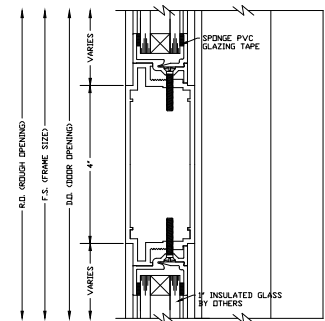
SILL DETAIL



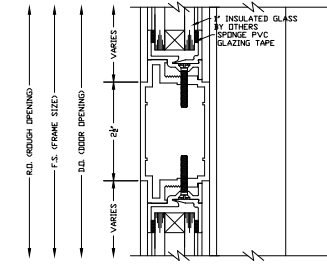
MID-RAIL DETAIL



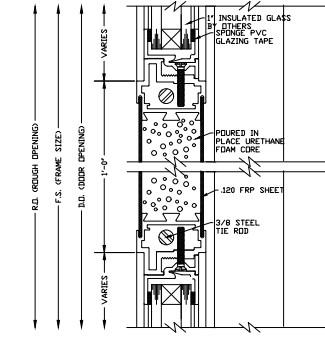
MID-RAIL DETAIL



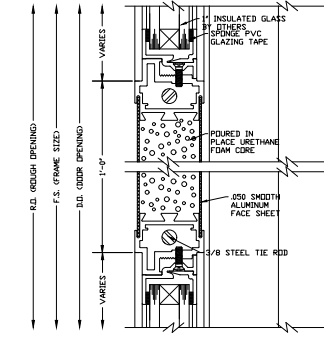
MID-RAIL DETAIL



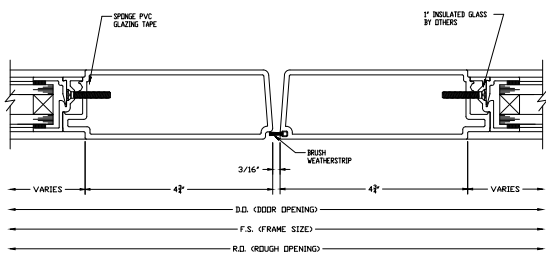
MID-RAIL DETAIL



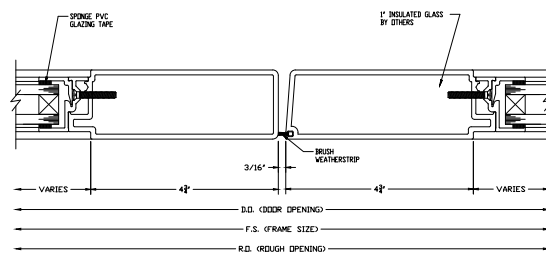
MID-PANEL DETAIL



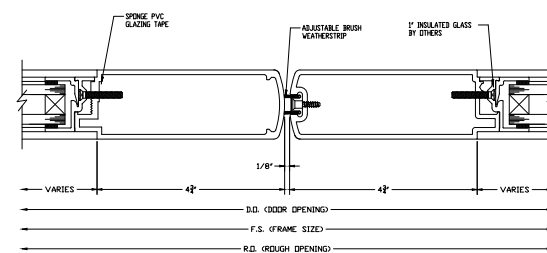
MID-PANEL DETAIL



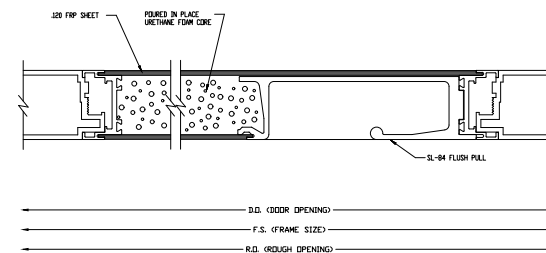
STANDARD MEETING STILES DETAIL



LOCKSET MEETING STILES DETAIL

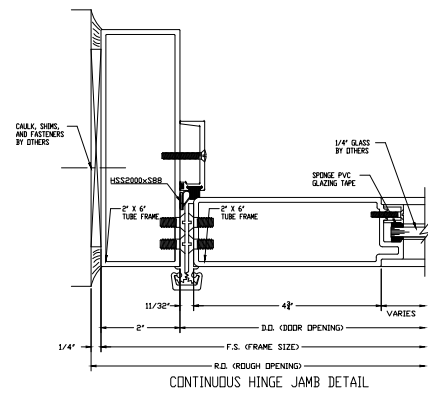


OPTIONAL MEETING STILES DETAIL

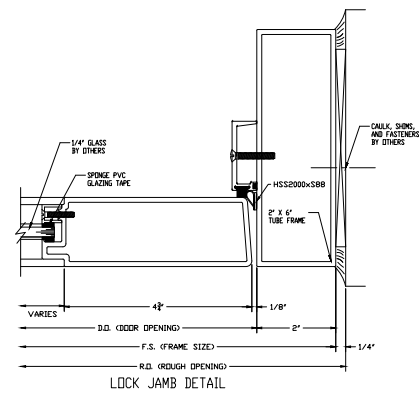


MID-PANEL DETAIL

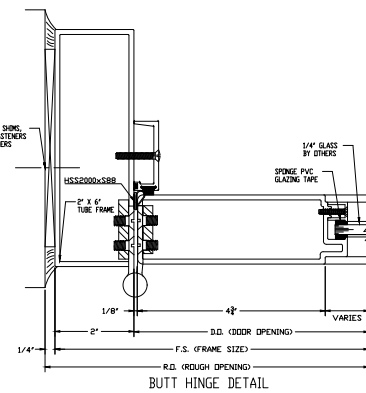
		<b>SPECIAL-LITE, INC.</b> 860 South Williams Street P.O. BOX 6 DECATUR, MI 49045 <a href="http://WWW.SPECIAL-LITE.COM">WWW.SPECIAL-LITE.COM</a>	
		SL-15 S-LABEL WIDE STILE MONUMENTAL	
DRAWN BY: JAE REVISION: A 11/5/20 C 2/18/25 B 11/11/21 D	DATE: 11/5/2020	SHEET NO. 2 OF 3	FILE: SL15DETAILS.dwg



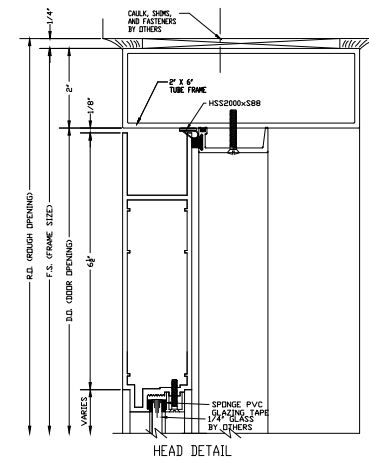
CONTINUOUS HINGE JAMB DETAIL



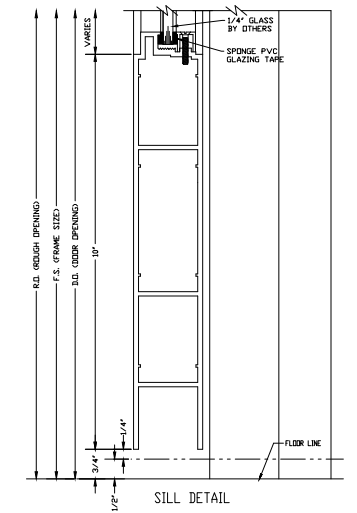
LOCK JAMB DETAIL



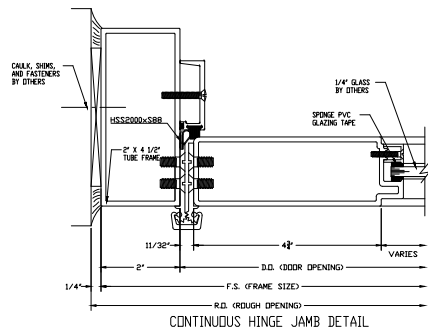
BUTT HINGE DETAIL



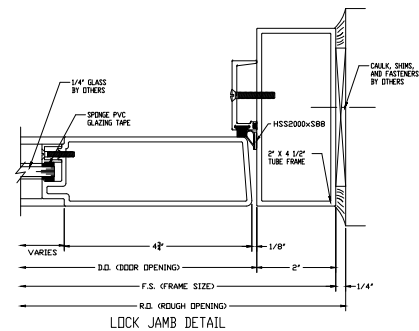
HEAD DETAIL



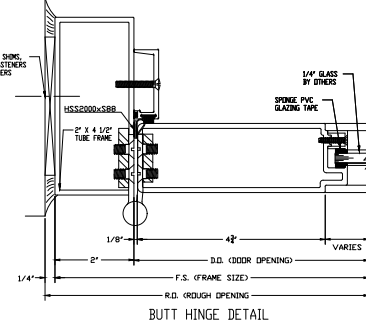
SILL DETAIL



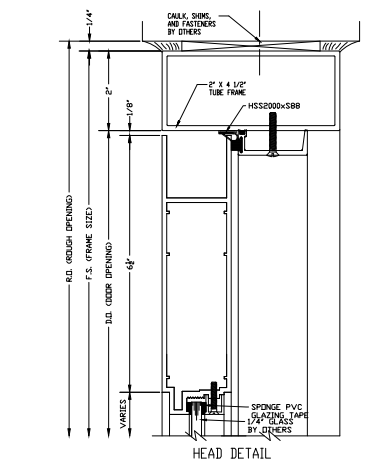
CONTINUOUS HINGE JAMB DETAIL



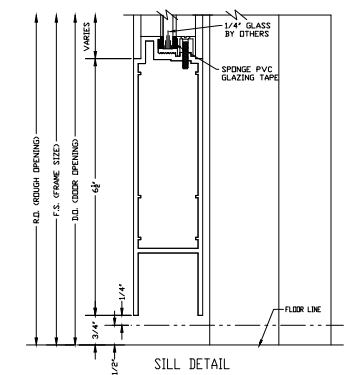
LOCK JAMB DETAIL



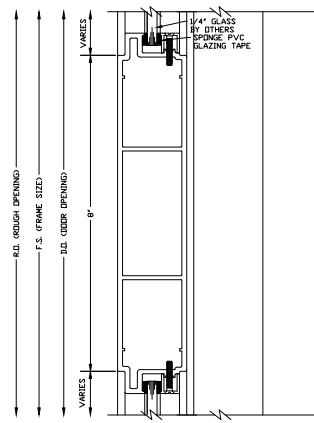
BUTT HINGE DETAIL



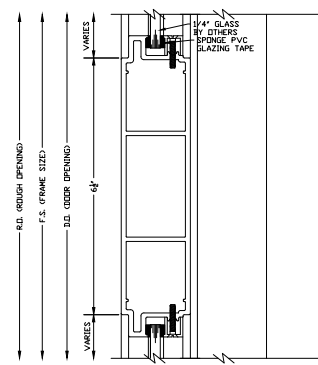
HEAD DETAIL



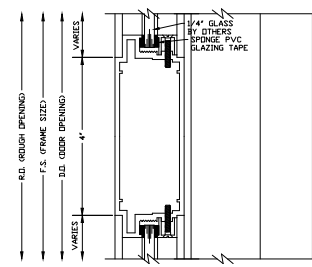
SILL DETAIL



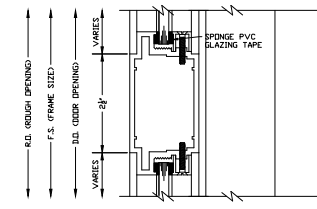
MID-RAIL DETAIL



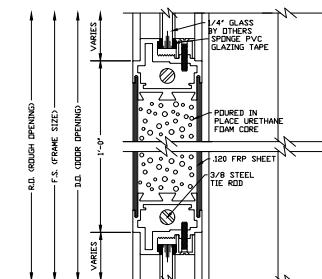
MID-RAIL DETAIL



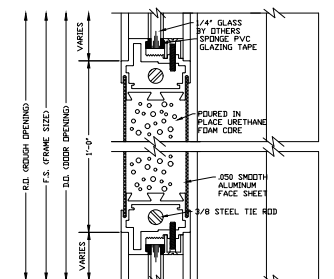
MID-RAIL DETAIL



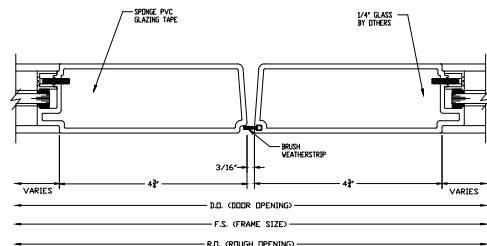
MID-RAIL DETAIL



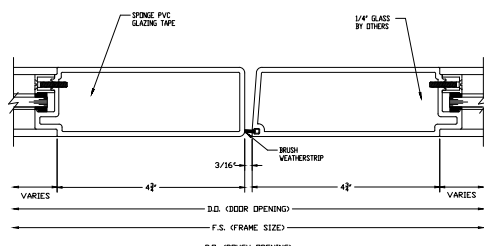
MID-PANEL DETAIL



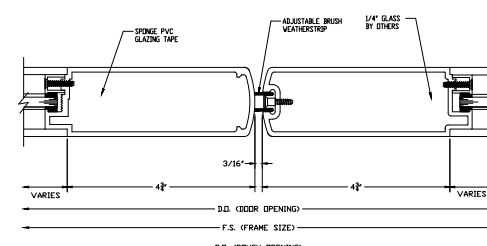
MID-PANEL DETAIL



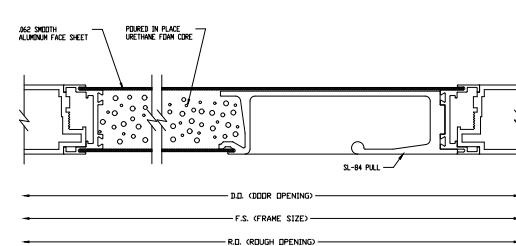
STANDARD MEETING STILES DETAIL



LOCKSET MEETING STILES DETAIL



OPTIONAL MEETING STILES DETAIL



MID-PANEL DETAIL

		<b>SPECIAL-LITE, INC.</b> 860 South Williams Street P.O. BOX 6 DECATUR, MI 49045 WWW.SPECIAL-LITE.COM	
		DRAWN BY: JAE REVISION: B	SL-15 S-LABEL WIDE STILE MONUMENTAL DATE: 11/5/2020 SHEET NO. 3 OF 3