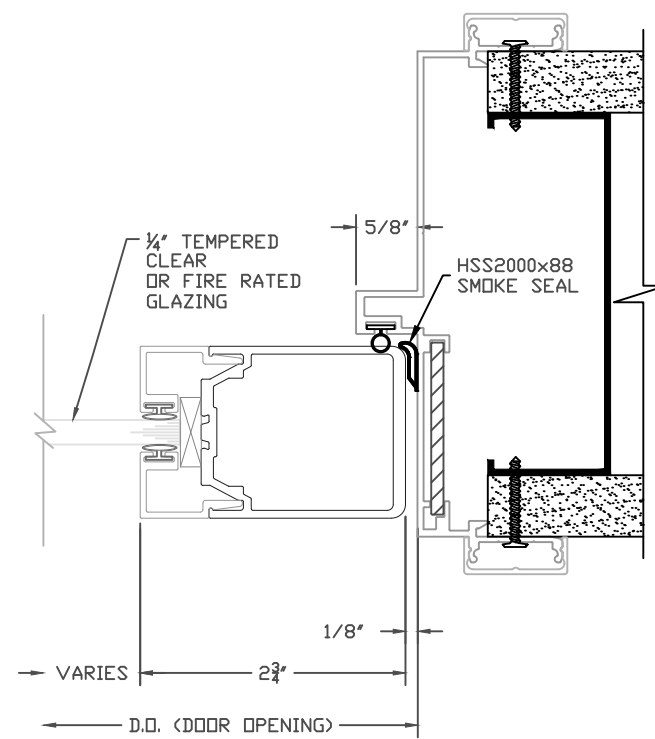
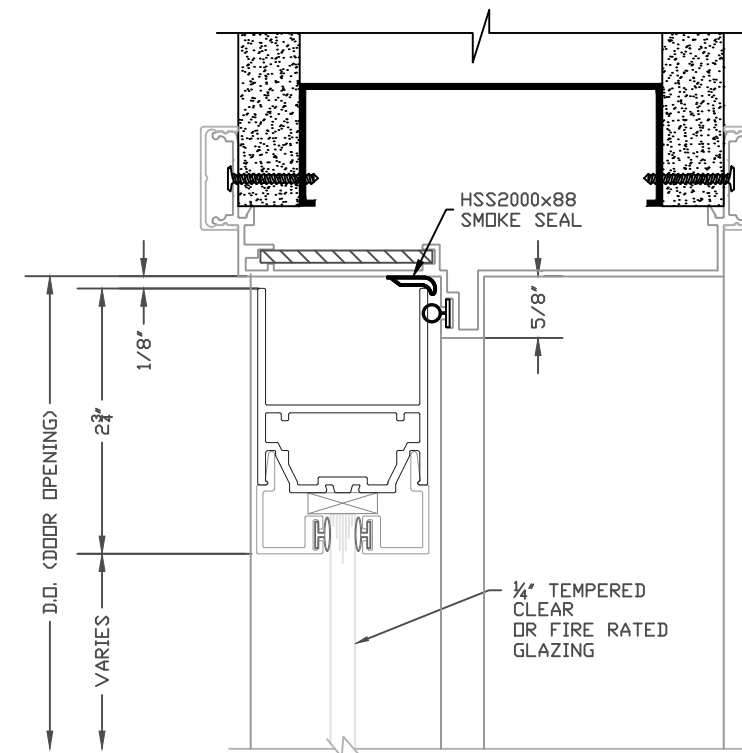


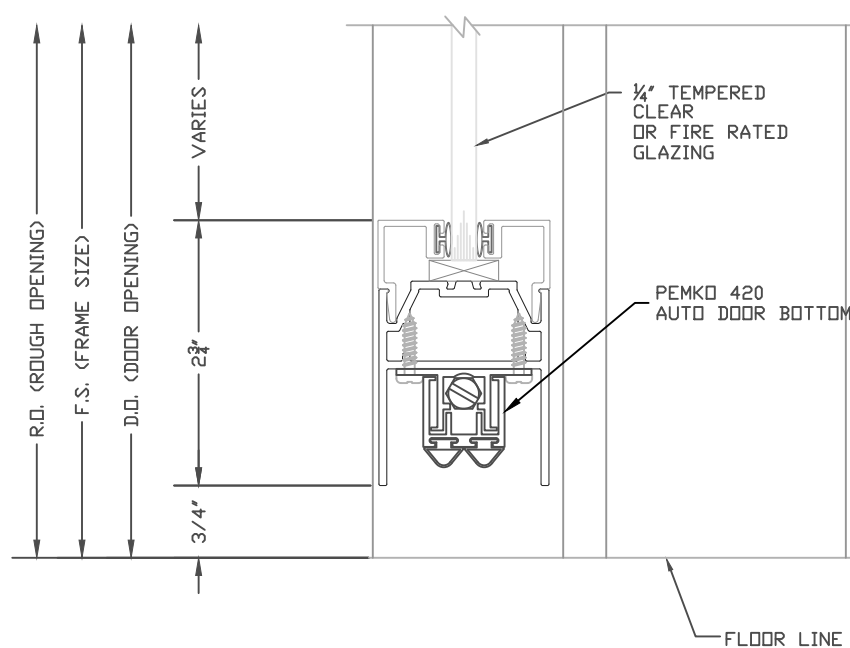
HINGE JAMB DETAIL 1/4" GLAZING



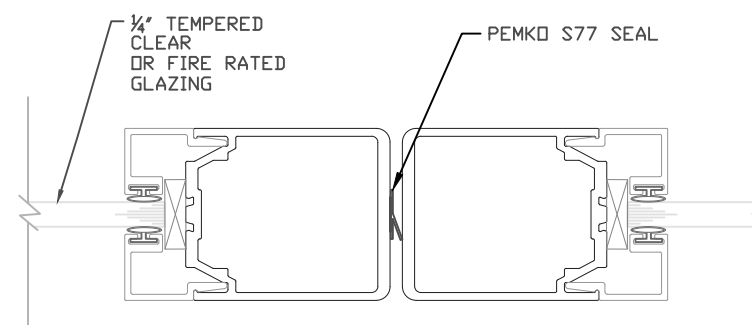
LOCK JAMB DETAIL 1/4" GLAZING



HEAD DETAIL 1/4" GLAZING

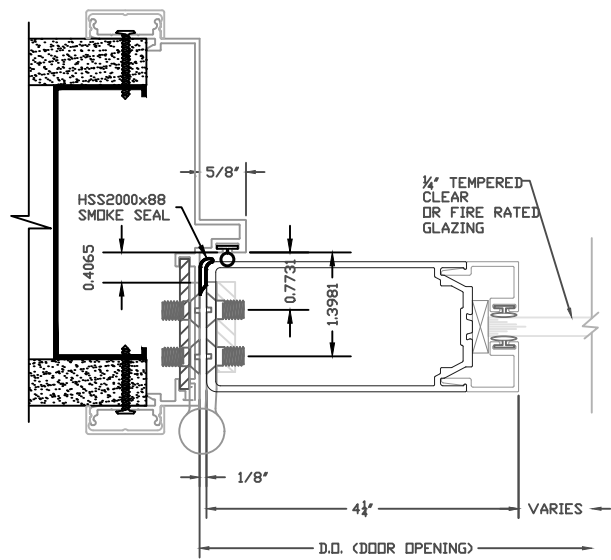


SILL DETAIL 1/4" GLAZING

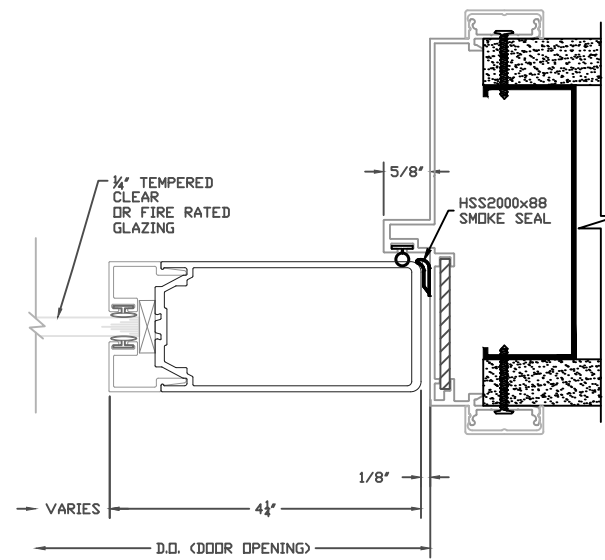


MEETING STILE DETAIL 1/4" GLAZING

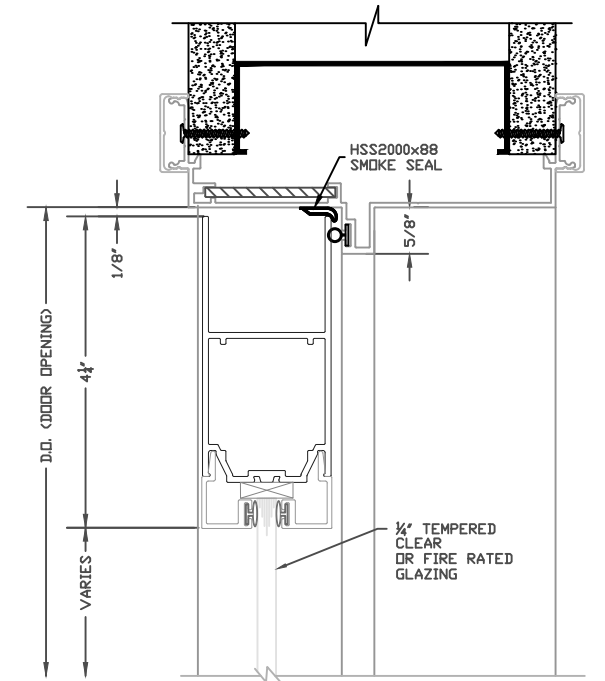
		SPECIAL-LITE, INC. 860 South Williams Street P.O. BOX 6 DECATUR, MI 48045 WWW.SPECIAL-LITE.COM	
		DRAWN BY: JMM REVISION:	SLI-12 NARROW STILE INTERIOR ALUMINUM FRAMED DOOR-SMOKE
A 12/2/20 C B D	DATE: 12/2/2020	SHEET NO. 1 OF 4	FILE: SLIDETAILS.dwg



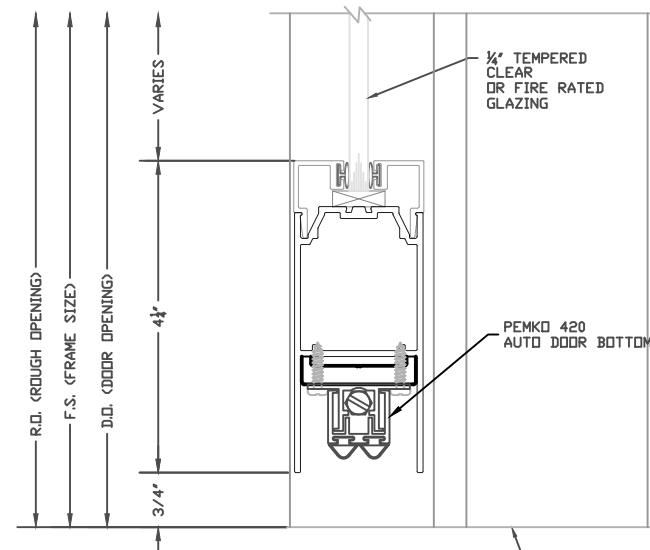
HINGE JAMB DETAIL 1/4" GLAZING



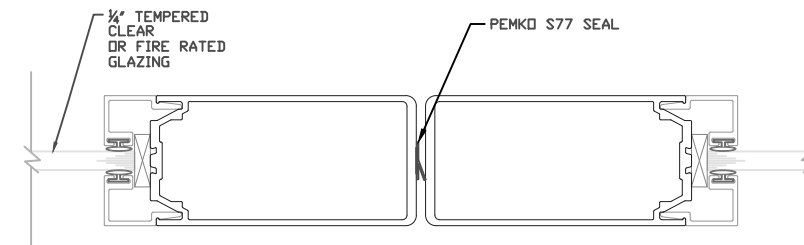
LOCK JAMB DETAIL 1/4" GLAZING



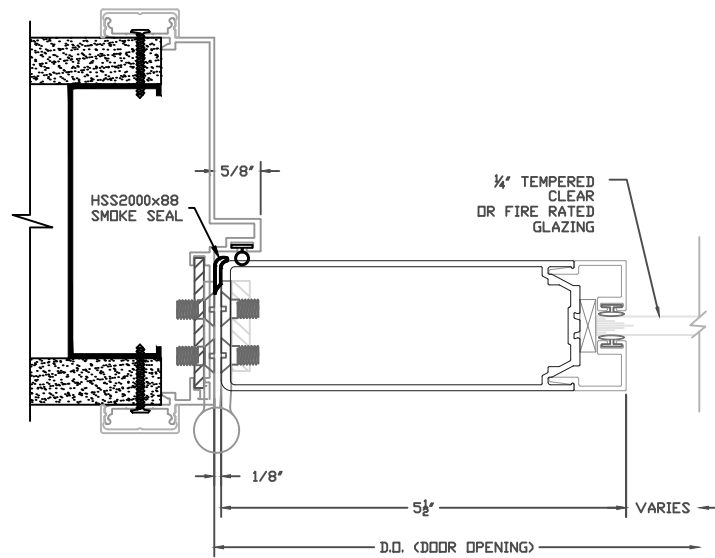
HEAD DETAIL 1/4" GLAZING



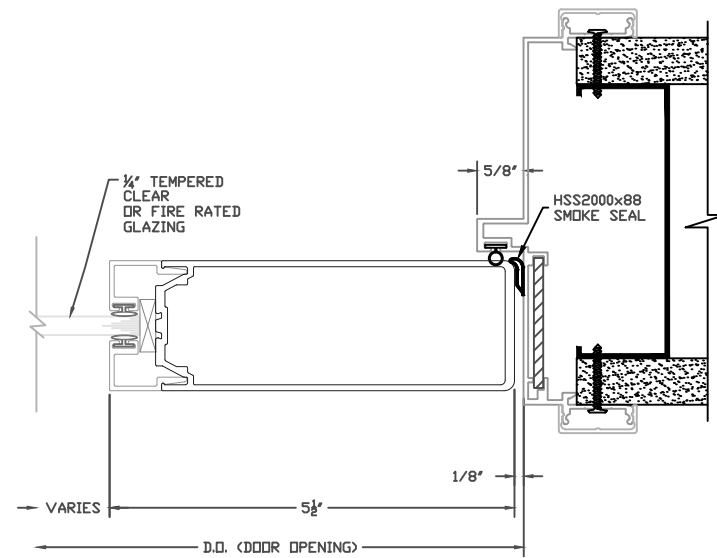
SILL DETAIL 1/4" GLAZING



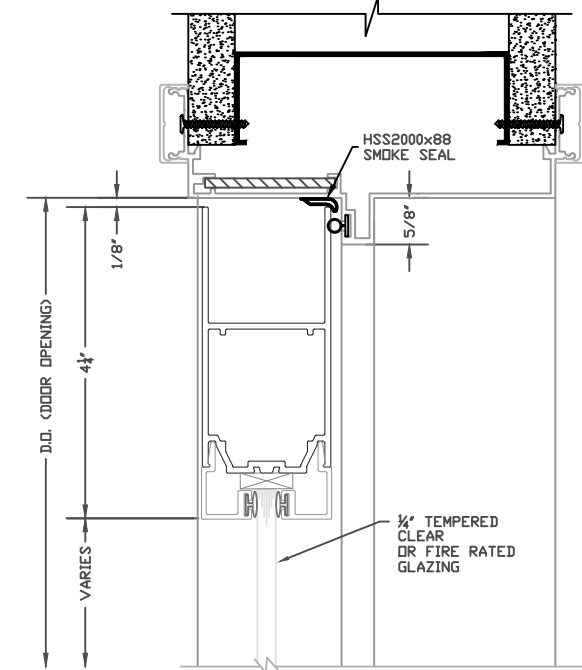
MEETING STILE DETAIL 1/4" GLAZING



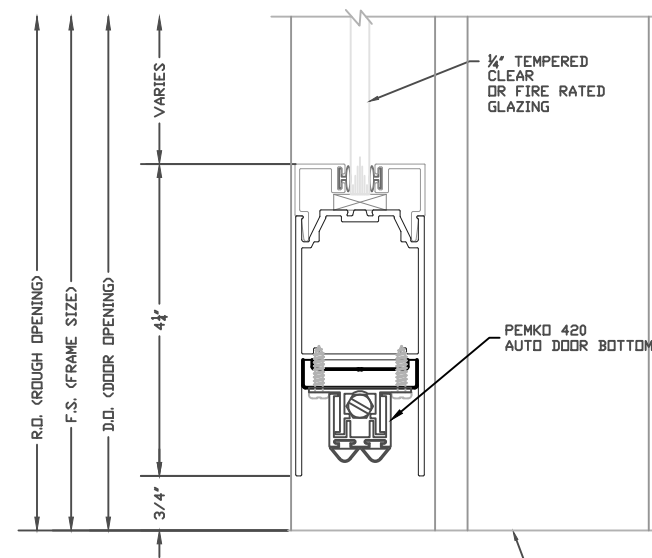
HINGE JAMB DETAIL 1/4" GLAZING



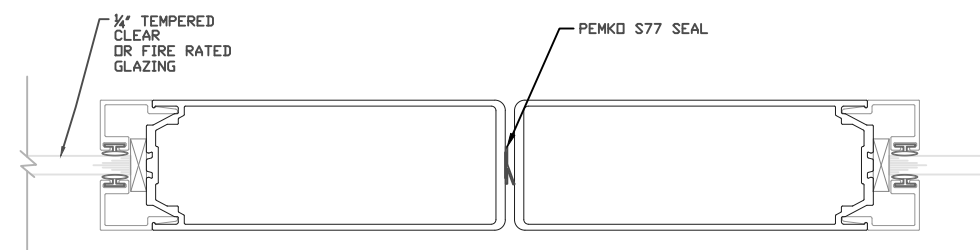
LOCK JAMB DETAIL 1/4" GLAZING



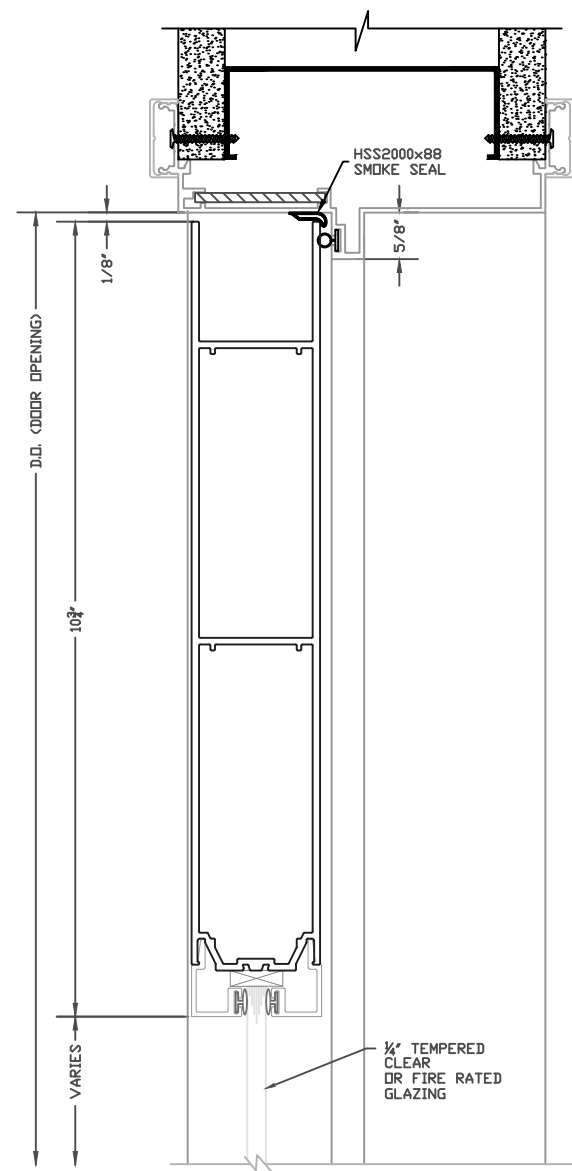
HEAD DETAIL 1/4" GLAZING



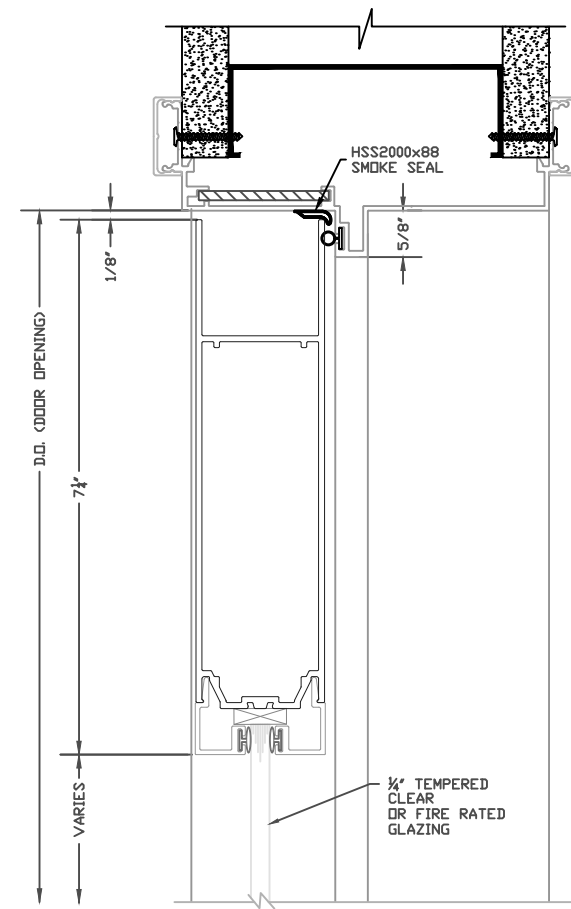
SILL DETAIL 1/4" GLAZING



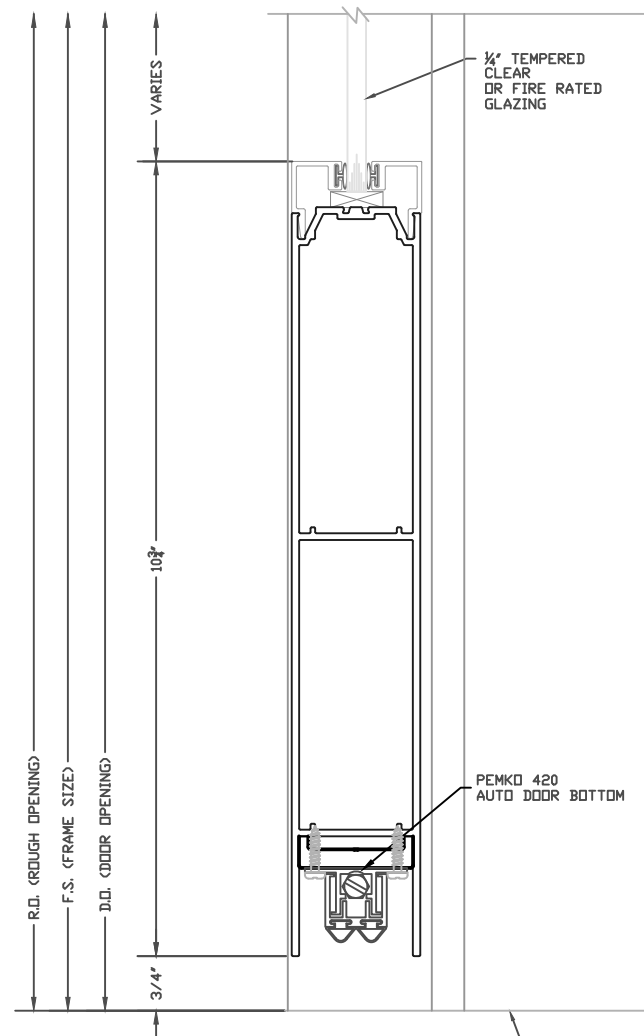
MEETING STILE DETAIL 1/4" GLAZING



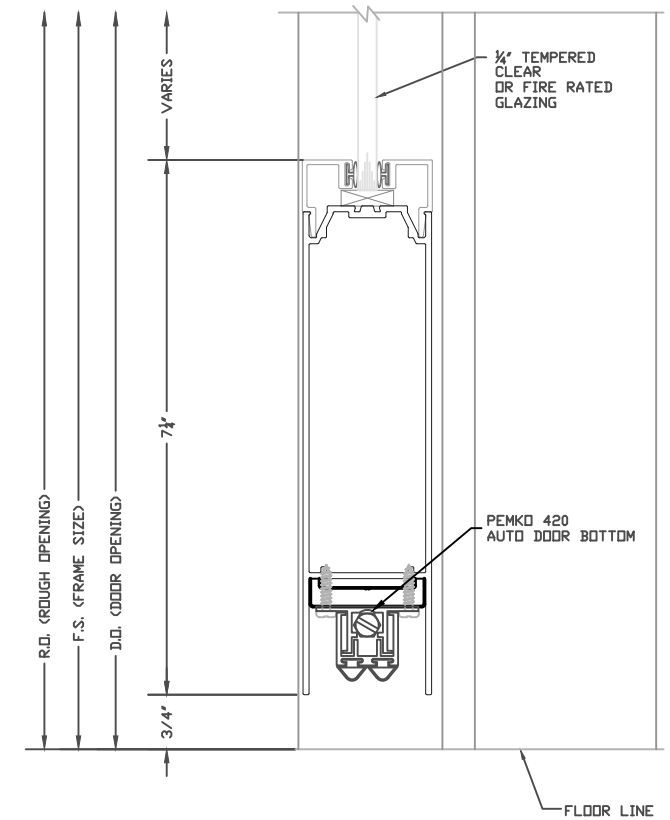
HEAD DETAIL 1/4" GLAZING (OPTIONAL 10 3/4" RAIL)




HEAD DETAIL 1/4" GLAZING (OPTIONAL 7 1/4" RAIL)



SILL DETAIL 1/4" GLAZING (OPTIONAL 10 3/4" RAIL)



SILL DETAIL 1/4" GLAZING (OPTIONAL 7 1/4" RAIL)

		SPECIAL-LITE, INC. 860 South Williams Street P.O. BOX 6 DECATUR, MI 48045 WWW.SPECIAL-LITE.COM	
		DRAWN BY: JMM REVISION: A 12/2/20 C DATE: 12/2/2020	
SLI DOOR OPTIONAL RAILS-SMOKE		SHEET NO. 4 OF 4 FILE: SLIDETAILS.dwg	