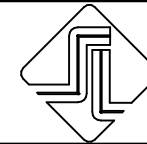


CONFIDENTIALITY NOTICE: THIS DRAWING, INCLUDING ANY ATTACHMENTS, IS FOR THE SOLE USE OF THE INTENDED RECIPIENT(S) AND MAY CONTAIN CONFIDENTIAL AND PRIVILEGED INFORMATION. ANY UNAUTHORIZED REVIEW, USE, DISCLOSURE OR DISTRIBUTION IS PROHIBITED. IF YOU ARE NOT THE INTENDED RECIPIENT, PLEASE CONTACT SPECIAL-LITE, INC. AND DESTROY ALL COPIES OF THE ORIGINAL DRAWING.



Special-Lite
ENGINEERED ARCHITECTURAL SOLUTIONS

860 SOUTH WILLIAMS STREET
DECATUR, MICHIGAN 49045
Ph: (800) 821-6531
Fx: (800) 423-7610
www.special-lite.com

UNLESS OTHERWISE SPECIFIED
0.0" ± 0.060"
0.00" ± 0.030"
0.000" ± 0.010"
0.0000" ± 0.002"

∠ ± 2.0°
CORNER RADI 0.015"
ALL MACHINED SURFACES
TO BE FREE OF BURS

DRAWN
Jason Couse

6/29/2018

CHECKED

APPROVED

MFG

MATERIAL

TITLE

2" Square Trim Clip Diagram

SIZE

B

FILE NAME

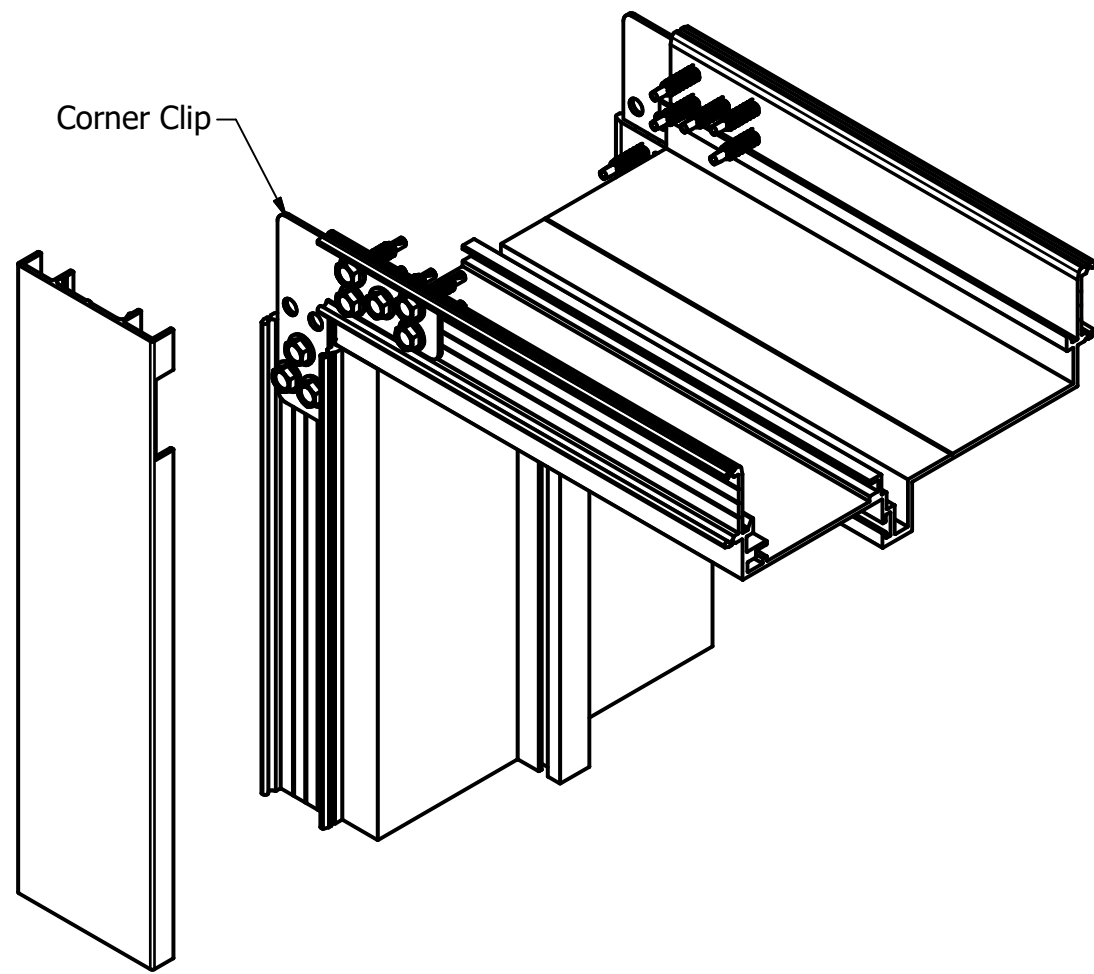
487 Clip Drawing (2 inch trim Square).dwg

REV

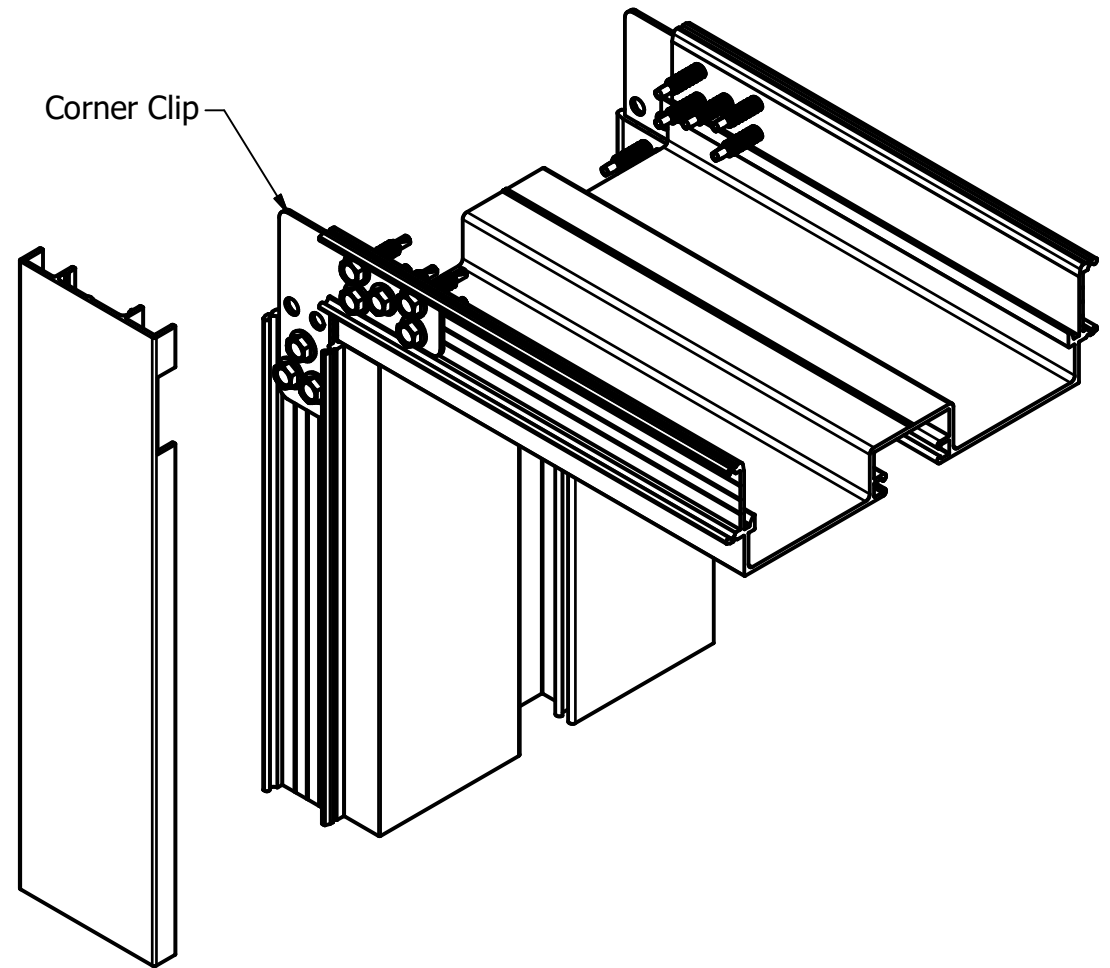
SCALE

PART #

SHEET 1 OF 8



Clip Diagram - A



Clip Diagram - B

CONFIDENTIALITY NOTICE: THIS DRAWING, INCLUDING ANY ATTACHMENTS, IS FOR THE SOLE USE OF THE INTENDED RECIPIENT(S) AND MAY CONTAIN CONFIDENTIAL AND PRIVILEGED INFORMATION. ANY UNAUTHORIZED REVIEW, USE, DISCLOSURE OR DISTRIBUTION IS PROHIBITED. IF YOU ARE NOT THE INTENDED RECIPIENT, PLEASE CONTACT SPECIAL-LITE, INC. AND DESTROY ALL COPIES OF THE ORIGINAL DRAWING.



Special-Lite
ENGINEERED ARCHITECTURAL SOLUTIONS

860 SOUTH WILLIAMS STREET
DECATUR, MICHIGAN 49045
Ph: (800) 821-6531
Fx: (800) 423-7610
www.special-lite.com

UNLESS OTHERWISE SPECIFIED
0.0" ± 0.060"
0.00" ± 0.030"
0.000" ± 0.010"
0.0000" ± 0.002"

∠ ± 2.0°
CORNER RADI 0.015"
ALL MACHINED SURFACES
TO BE FREE OF BURS

DRAWN
Jason Couse

6/29/2018

CHECKED

APPROVED

MFG

MATERIAL

TITLE

2" Square Trim Clip Diagram

SIZE
B

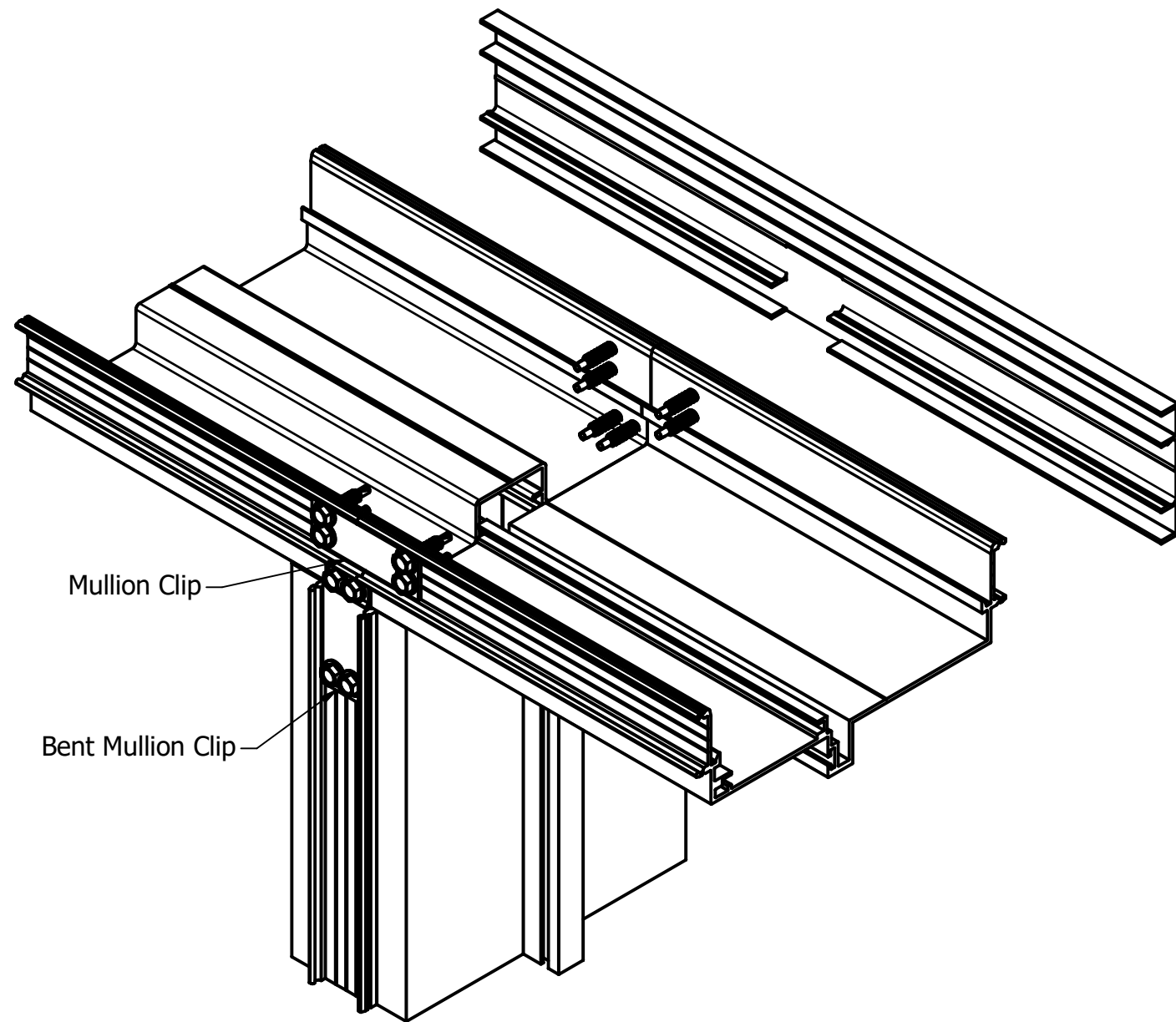
FILE NAME
487 Clip Drawing (2 inch trim Square).dwg

REV

SCALE
1 / 2

PART #

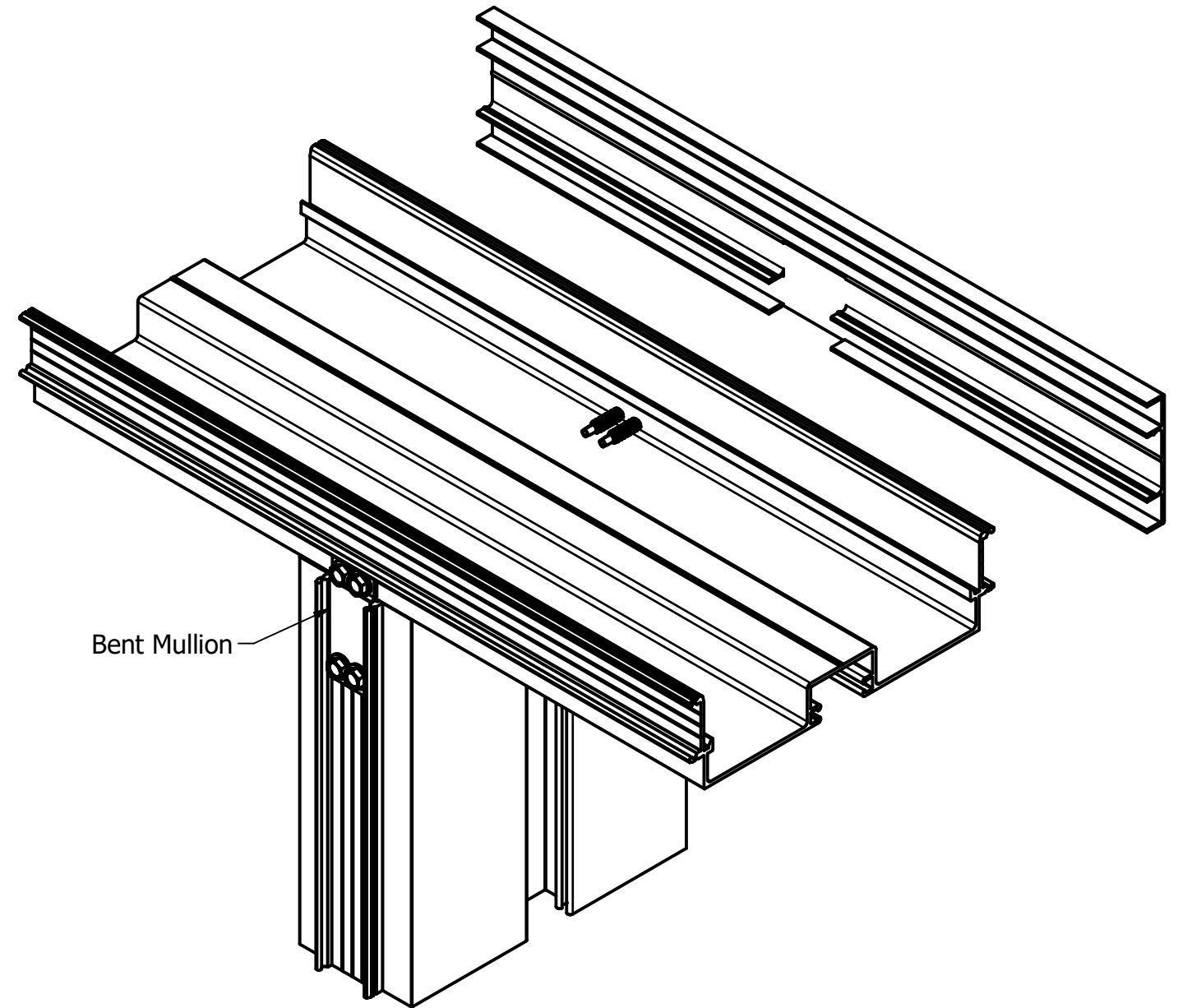
SHEET 2 OF 8



Mullion Clip

Bent Mullion Clip

Clip Diagram - C

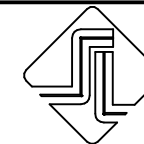


Bent Mullion

Clip Diagram - D

CONFIDENTIALITY NOTICE: THIS DRAWING, INCLUDING ANY ATTACHMENTS, IS FOR THE SOLE USE OF THE INTENDED RECIPIENT(S) AND MAY CONTAIN CONFIDENTIAL AND PRIVILEGED INFORMATION. ANY UNAUTHORIZED REVIEW, USE, DISCLOSURE OR DISTRIBUTION IS PROHIBITED. IF YOU ARE NOT THE INTENDED RECIPIENT, PLEASE CONTACT SPECIAL-LITE, INC. AND DESTROY ALL COPIES OF THE ORIGINAL DRAWING.

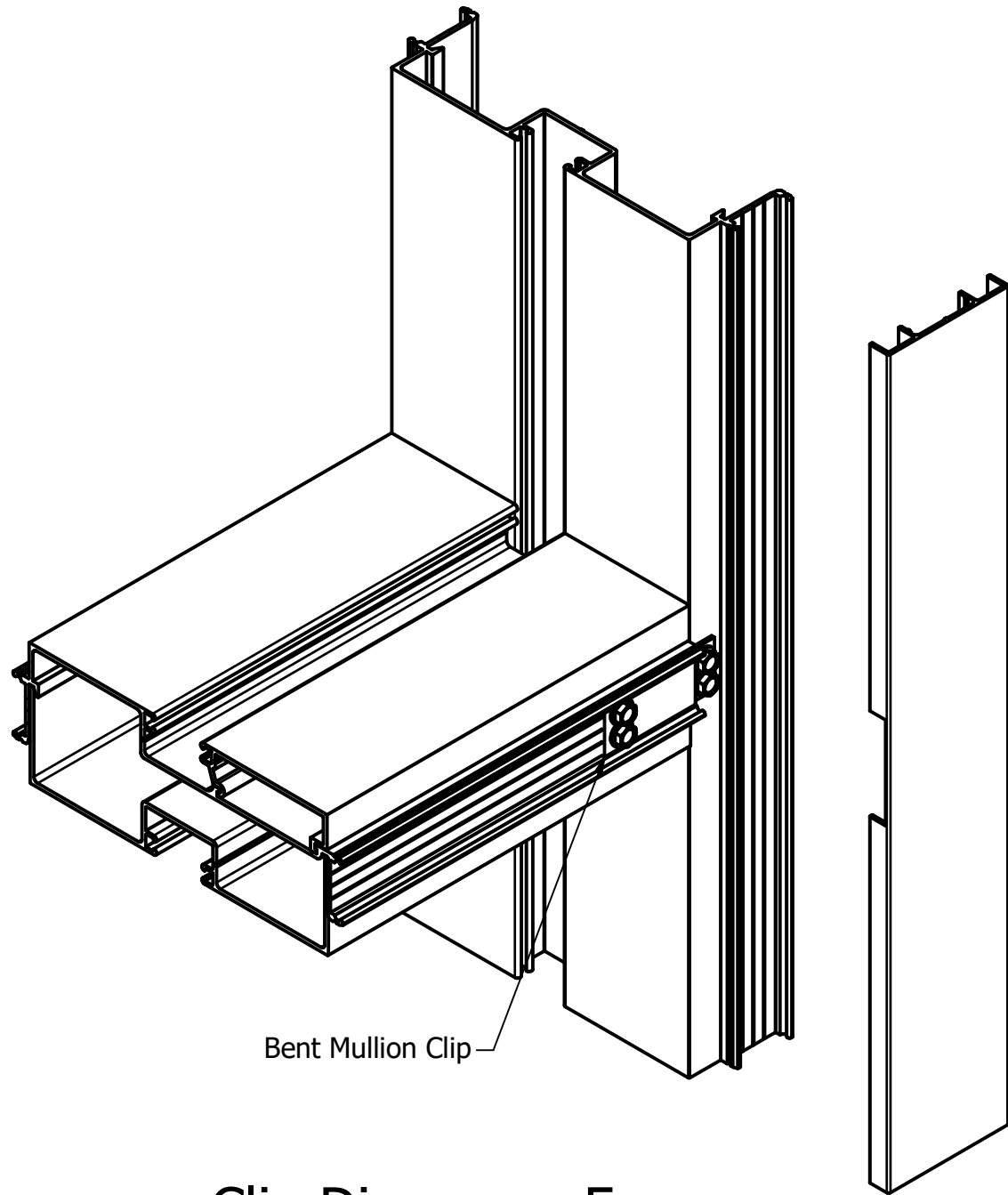
UNLESS OTHERWISE SPECIFIED
 0.0" ± 0.060"
 0.00" ± 0.030"
 0.000" ± 0.010"
 0.0000" ± 0.002"
 < ± 2.0°
 CORNER RADI 0.015"
 ALL MACHINED SURFACES
 TO BE FREE OF BURRS



Special-Lite
 ENGINEERED ARCHITECTURAL SOLUTIONS

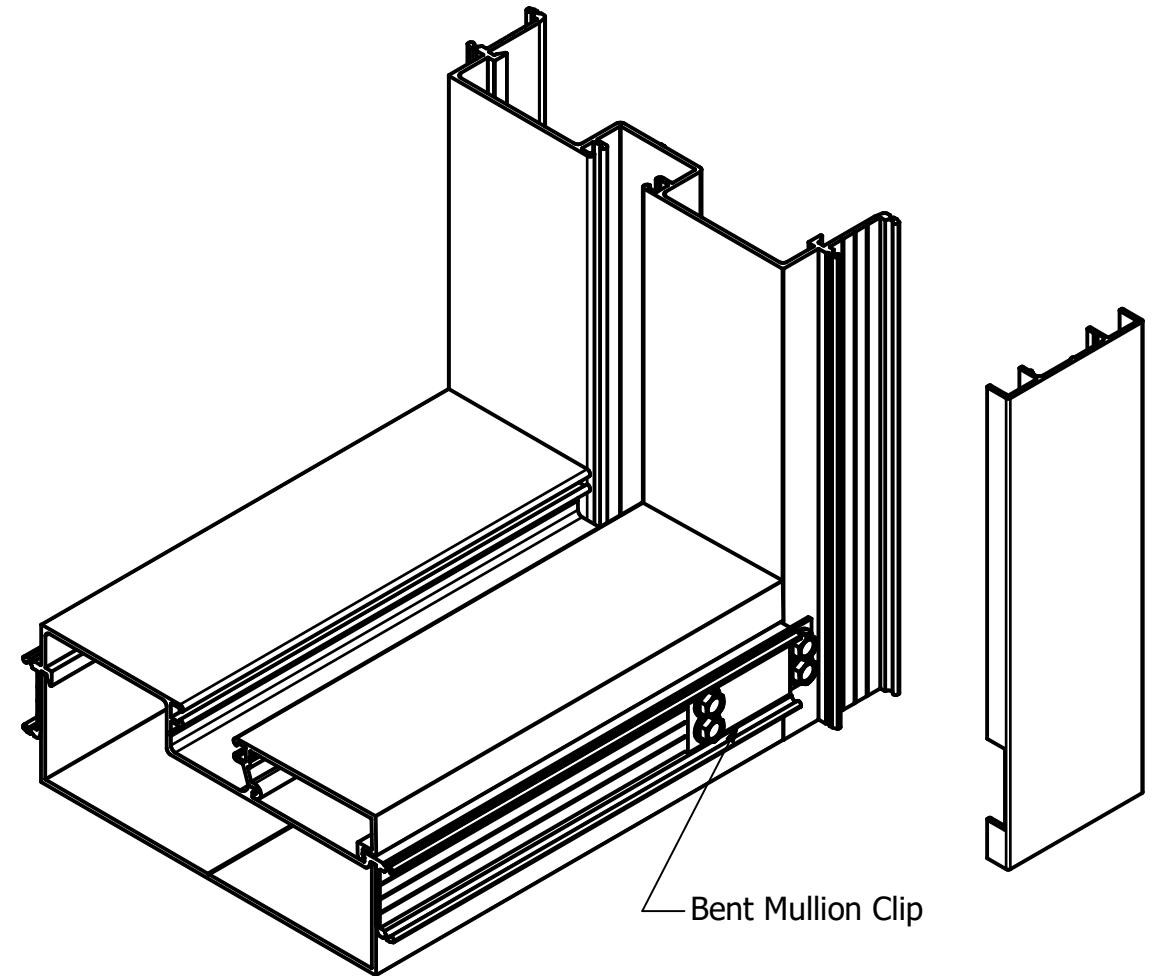
860 SOUTH WILLIAMS STREET
 DECATUR, MICHIGAN 49045
 Ph: (800) 821-6531
 Fx: (800) 423-7610
 www.special-lite.com

DRAWN Jason Couse	6/29/2018	TITLE 2" Square Trim Clip Diagram	
CHECKED		SIZE B	FILE NAME 487 Clip Drawing (2 inch trim Square).dwg
APPROVED		MFG	REV
MATERIAL		SCALE 1 / 2	PART # SHEET 3 OF 8



Bent Mullion Clip

Clip Diagram - F



Bent Mullion Clip

Clip Diagram - G

CONFIDENTIALITY NOTICE: THIS DRAWING, INCLUDING ANY ATTACHMENTS, IS FOR THE SOLE USE OF THE INTENDED RECIPIENT(S) AND MAY CONTAIN CONFIDENTIAL AND PRIVILEGED INFORMATION. ANY UNAUTHORIZED REVIEW, USE, DISCLOSURE OR DISTRIBUTION IS PROHIBITED. IF YOU ARE NOT THE INTENDED RECIPIENT, PLEASE CONTACT SPECIAL-LITE, INC. AND DESTROY ALL COPIES OF THE ORIGINAL DRAWING.



Special-Lite
ENGINEERED ARCHITECTURAL SOLUTIONS

860 SOUTH WILLIAMS STREET
DECATUR, MICHIGAN 49045
Ph: (800) 821-6531
Fx: (800) 423-7610
www.special-lite.com

UNLESS OTHERWISE SPECIFIED
0.0" ± 0.060"
0.00" ± 0.030"
0.000" ± 0.010"
0.0000" ± 0.002"

∠ ± 2.0°
CORNER RADI 0.015"
ALL MACHINED SURFACES
TO BE FREE OF BURRS

DRAWN
Jason Couse

6/29/2018

CHECKED

APPROVED

MFG

MATERIAL

TITLE

2" Square Trim Clip Diagram

SIZE

FILE NAME

B

487 Clip Drawing (2 inch trim Square).dwg

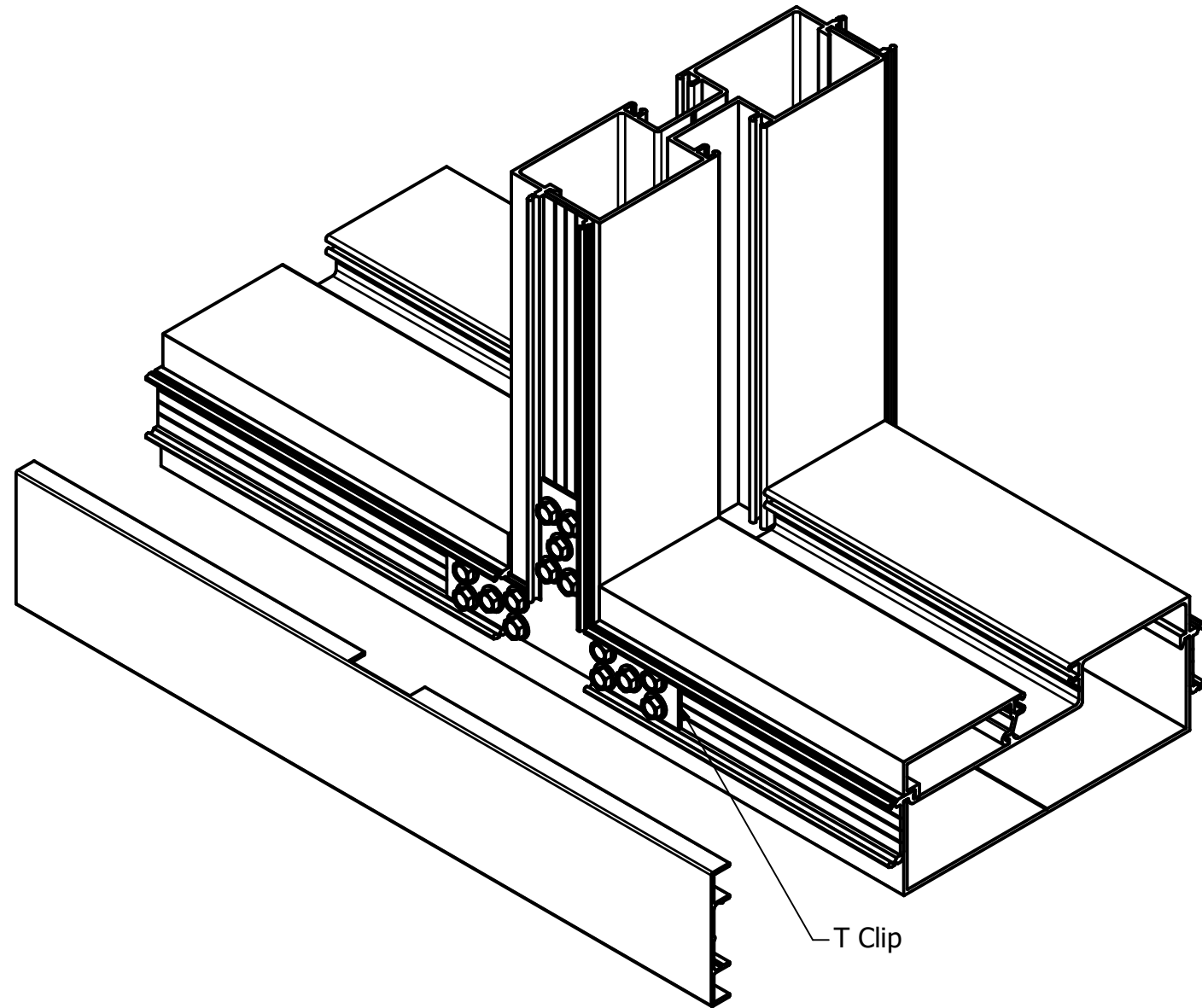
REV

SCALE

1 / 2

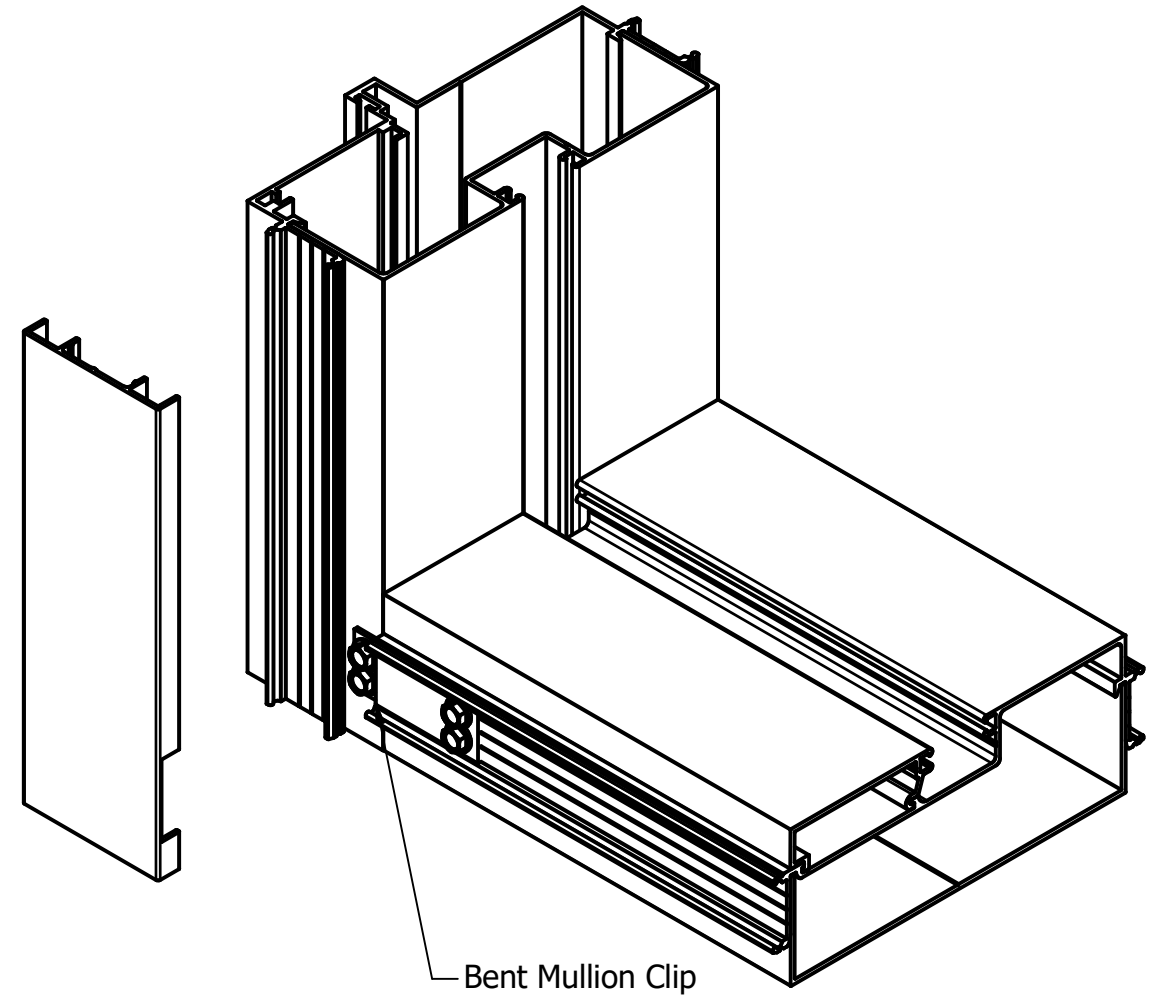
PART #

SHEET 4 OF 8



T Clip

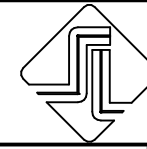
Clip Diagram - H



Bent Mullion Clip

Clip Diagram - I

CONFIDENTIALITY NOTICE: THIS DRAWING, INCLUDING ANY ATTACHMENTS, IS FOR THE SOLE USE OF THE INTENDED RECIPIENT(S) AND MAY CONTAIN CONFIDENTIAL AND PRIVILEGED INFORMATION. ANY UNAUTHORIZED REVIEW, USE, DISCLOSURE OR DISTRIBUTION IS PROHIBITED. IF YOU ARE NOT THE INTENDED RECIPIENT, PLEASE CONTACT SPECIAL-LITE, INC. AND DESTROY ALL COPIES OF THE ORIGINAL DRAWING.



Special-Lite[®]

ENGINEERED ARCHITECTURAL SOLUTIONS

860 SOUTH WILLIAMS STREET
 DECATUR, MICHIGAN 49045
 Ph: (800) 821-6531
 Fx: (800) 423-7610
 www.special-lite.com

UNLESS OTHERWISE SPECIFIED
 0.0" ± 0.060"
 0.00" ± 0.030"
 0.000" ± 0.010"
 0.0000" ± 0.002"

∠ ± 2.0°
 CORNER RADI 0.015"
 ALL MACHINED SURFACES
 TO BE FREE OF BURS

DRAWN
 Jason Couse

CHECKED

APPROVED

MFG

MATERIAL

6/29/2018

TITLE

2" Square Trim Clip Diagram

SIZE

B

FILE NAME

487 Clip Drawing (2 inch trim Square).dwg

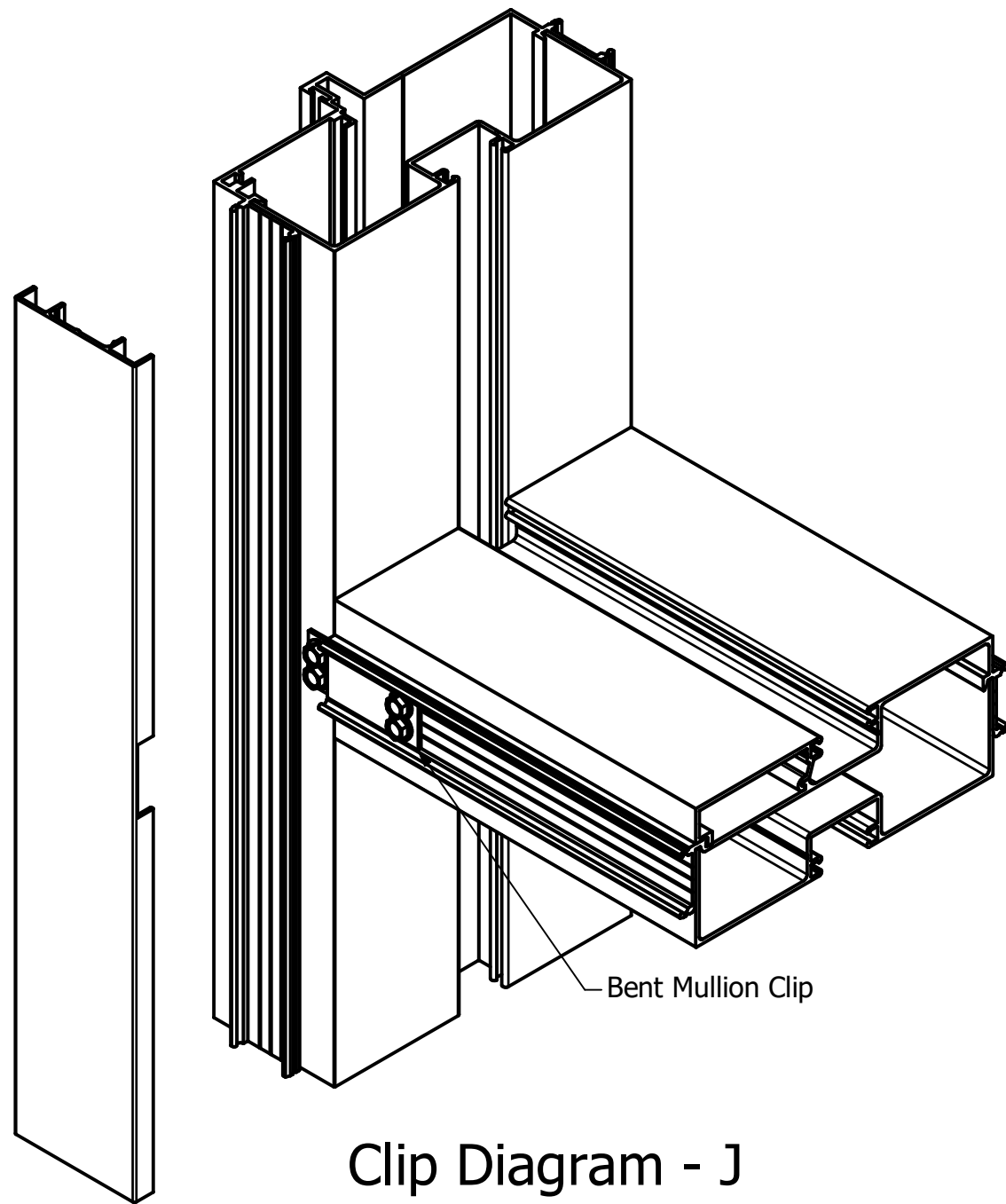
REV

SCALE

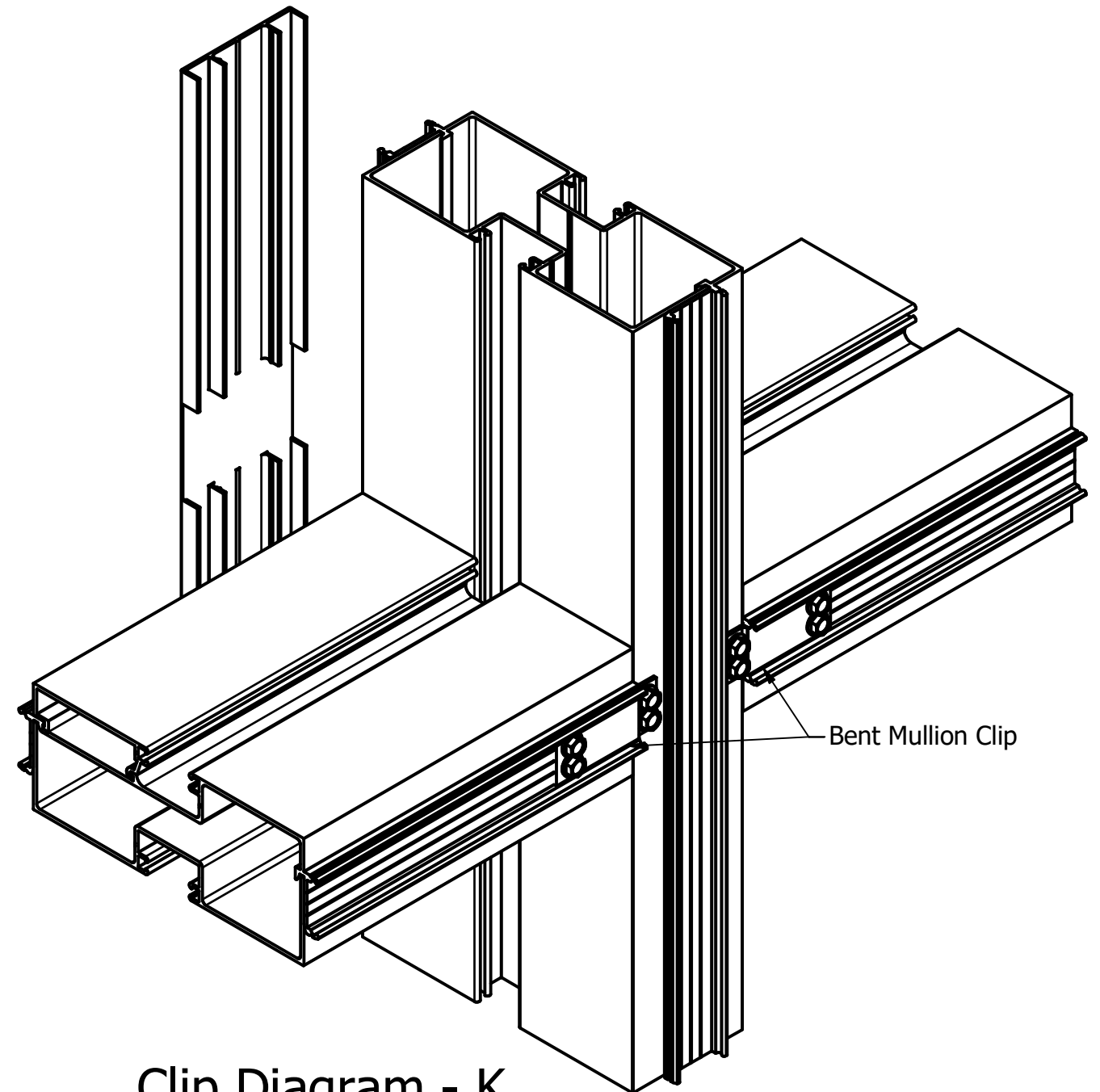
1 / 2

PART #

SHEET 5 OF 8



Clip Diagram - J



Clip Diagram - K

CONFIDENTIALITY NOTICE: THIS DRAWING, INCLUDING ANY ATTACHMENTS, IS FOR THE SOLE USE OF THE INTENDED RECIPIENT(S) AND MAY CONTAIN CONFIDENTIAL AND PRIVILEGED INFORMATION. ANY UNAUTHORIZED REVIEW, USE, DISCLOSURE OR DISTRIBUTION IS PROHIBITED. IF YOU ARE NOT THE INTENDED RECIPIENT, PLEASE CONTACT SPECIAL-LITE, INC. AND DESTROY ALL COPIES OF THE ORIGINAL DRAWING.



Special-Lite[®]

ENGINEERED ARCHITECTURAL SOLUTIONS

860 SOUTH WILLIAMS STREET
 DECATUR, MICHIGAN 49045
 Ph: (800) 821-6531
 Fx: (800) 423-7610
 www.special-lite.com

UNLESS OTHERWISE SPECIFIED
 0.0" ± 0.060"
 0.00" ± 0.030"
 0.000" ± 0.010"
 0.0000" ± 0.002"

∠ ± 2.0°
 CORNER RADI 0.015"
 ALL MACHINED SURFACES
 TO BE FREE OF BURS

DRAWN
 Jason Couse

CHECKED

APPROVED

MFG

MATERIAL

6/29/2018

TITLE

2" Square Trim Clip Diagram

SIZE

B

FILE NAME

487 Clip Drawing (2 inch trim Square).dwg

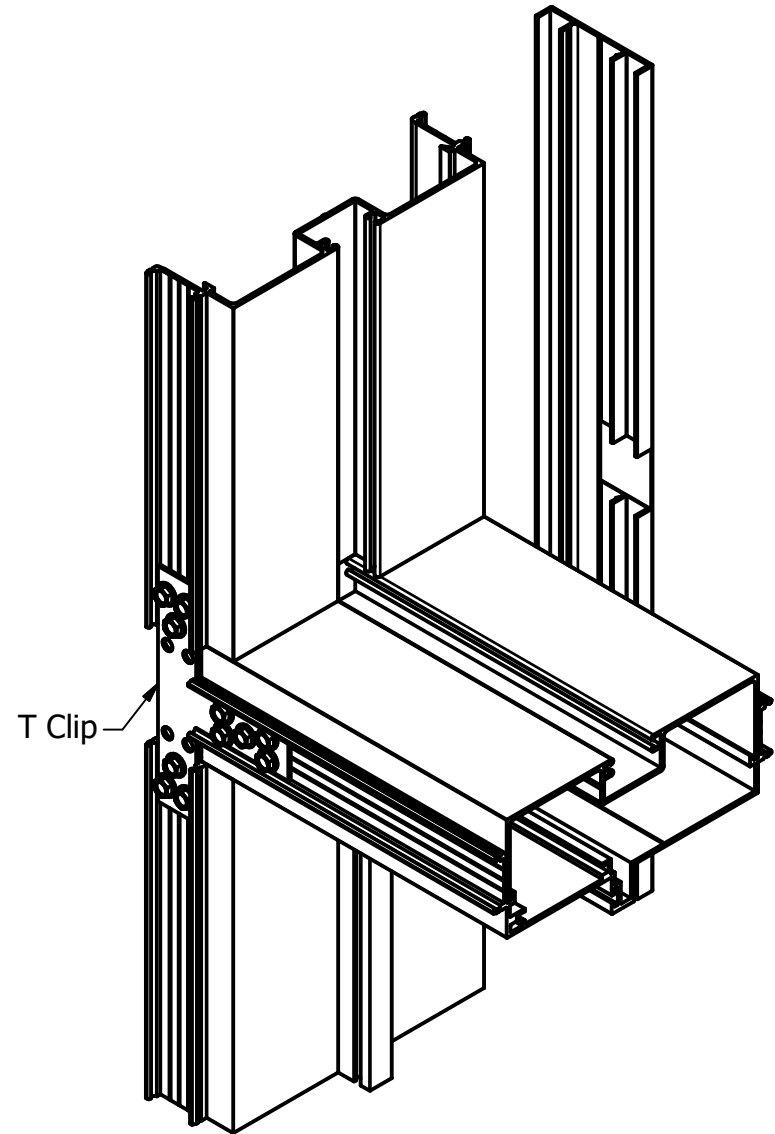
REV

SCALE

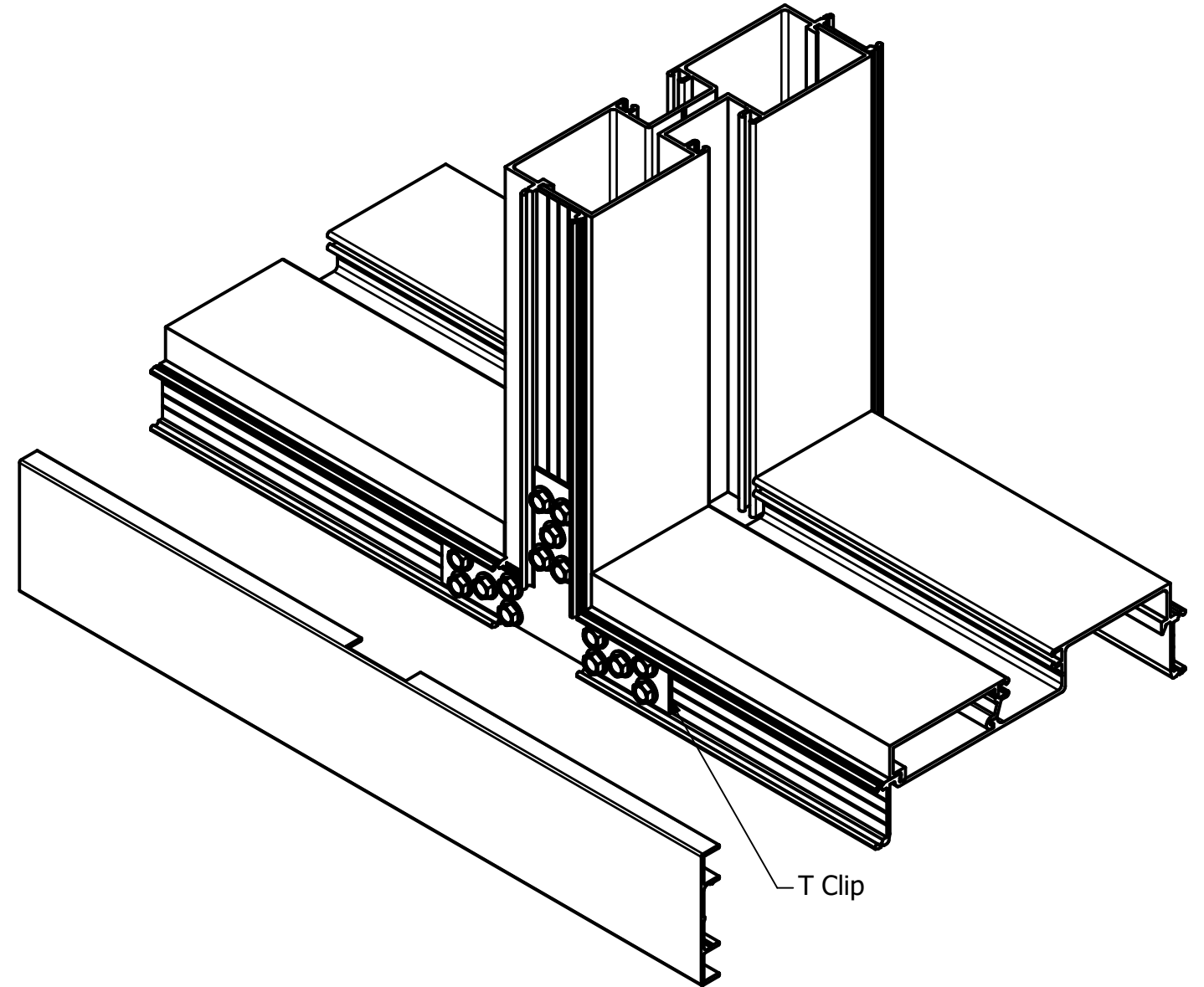
1 / 2

PART #

SHEET 6 OF 8

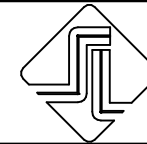


Clip Diagram - L



Clip Diagram - M

CONFIDENTIALITY NOTICE: THIS DRAWING, INCLUDING ANY ATTACHMENTS, IS FOR THE SOLE USE OF THE INTENDED RECIPIENT(S) AND MAY CONTAIN CONFIDENTIAL AND PRIVILEGED INFORMATION. ANY UNAUTHORIZED REVIEW, USE, DISCLOSURE OR DISTRIBUTION IS PROHIBITED. IF YOU ARE NOT THE INTENDED RECIPIENT, PLEASE CONTACT SPECIAL-LITE, INC. AND DESTROY ALL COPIES OF THE ORIGINAL DRAWING.



Special-Lite
ENGINEERED ARCHITECTURAL SOLUTIONS

860 SOUTH WILLIAMS STREET
DECATUR, MICHIGAN 49045
Ph: (800) 821-6531
Fx: (800) 423-7610
www.special-lite.com

UNLESS OTHERWISE SPECIFIED
0.0" ± 0.060"
0.00" ± 0.030"
0.000" ± 0.010"
0.0000" ± 0.002"

∠ ± 2.0°
CORNER RADI 0.015"
ALL MACHINED SURFACES
TO BE FREE OF BURS

DRAWN
Jason Couse

CHECKED

APPROVED

MFG

MATERIAL

6/29/2018

TITLE

2" Square Trim Clip Diagram

SIZE

B

FILE NAME

487 Clip Drawing (2 inch trim Square).dwg

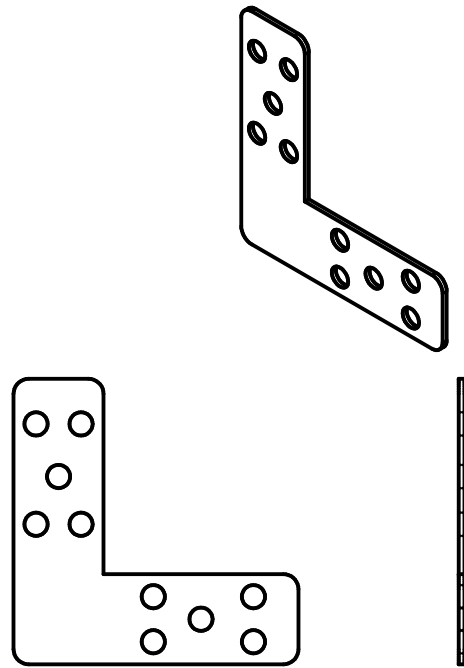
REV

SCALE

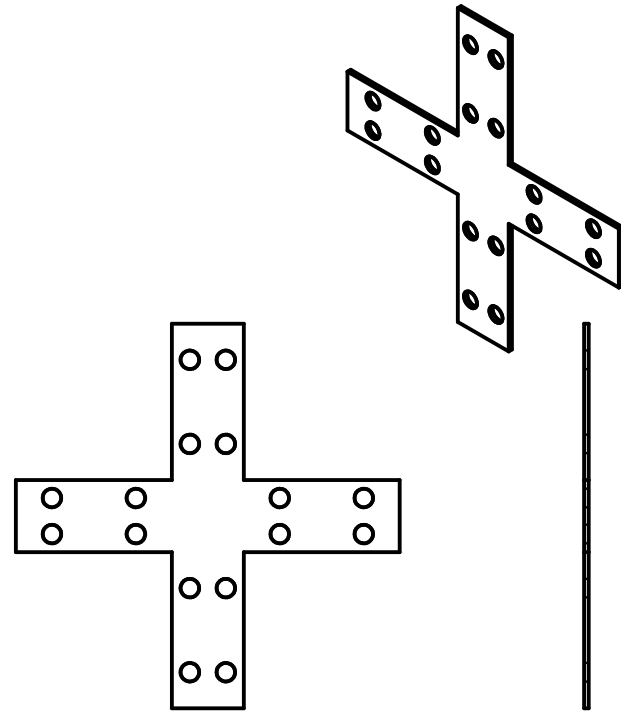
.375

PART #

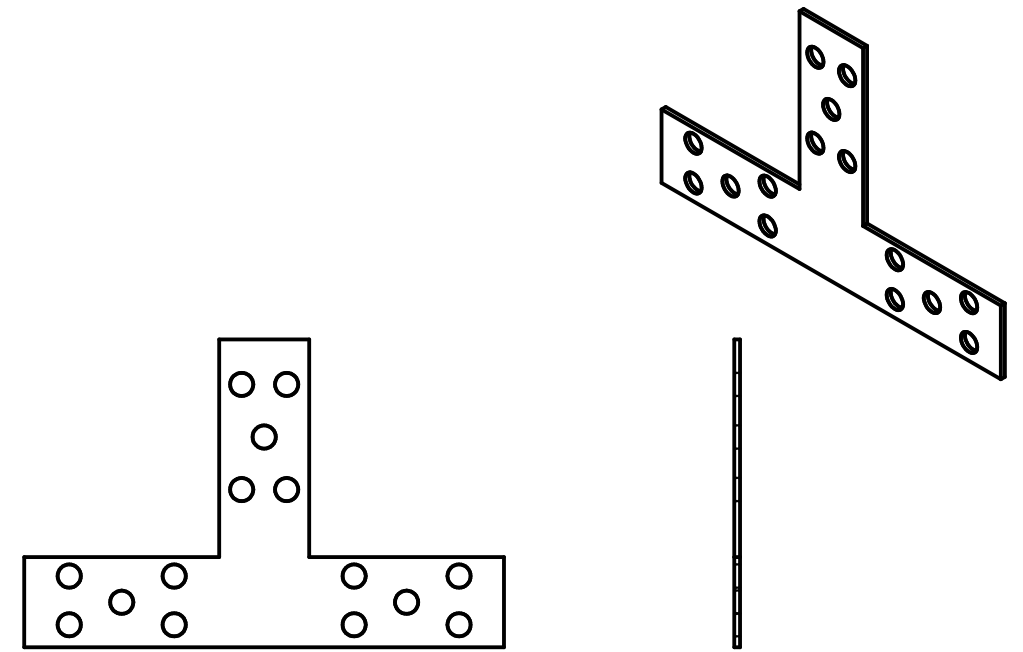
SHEET 7 OF 8



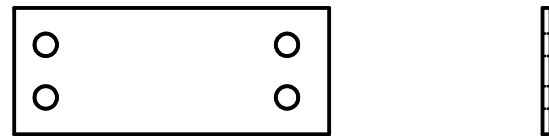
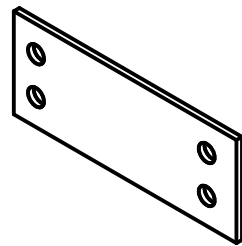
Corner Clip



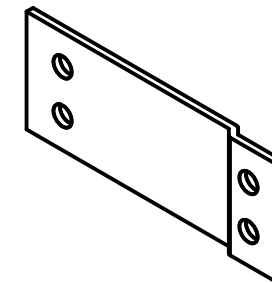
Cross Clip



T Clip



Mullion Clip



Bent Mullion Clip

CONFIDENTIALITY NOTICE: THIS DRAWING, INCLUDING ANY ATTACHMENTS, IS FOR THE SOLE USE OF THE INTENDED RECIPIENT(S) AND MAY CONTAIN CONFIDENTIAL AND PRIVILEGED INFORMATION. ANY UNAUTHORIZED REVIEW, USE, DISCLOSURE OR DISTRIBUTION IS PROHIBITED. IF YOU ARE NOT THE INTENDED RECIPIENT, PLEASE CONTACT SPECIAL-LITE, INC. AND DESTROY ALL COPIES OF THE ORIGINAL DRAWING.

UNLESS OTHERWISE SPECIFIED
 0.0" ± 0.060"
 0.00" ± 0.030"
 0.000" ± 0.010"
 0.0000" ± 0.002"
 < ± 2.0°
 CORNER RADI 0.015"
 ALL MACHINED SURFACES
 TO BE FREE OF BURS

DRAWN
Jason Couse
 CHECKED
 APPROVED
 MFG
 MATERIAL
 Steel, Galvanized

DATE
 6/29/2018

TITLE		REV	
Clips		SIZE	FILE NAME
		B	487 Clip Drawing (2 inch trim Square).dwg
SCALE		PART #	SHEET 8 OF 8
.625			



860 SOUTH WILLIAMS STREET
 DECATUR, MICHIGAN 49045
 Ph: (800) 821-6531
 Fx: (800) 423-7610
 www.special-lite.com