

Finish:

Clear Anodized
 Black Anodized
 Other: _____

Series:

375 (3-3/4" Wall)
 487 (4-7/8" Wall)
 725 (7-1/4" Wall)

Adjustable: _____
 3" - 9-1/2" Available; Enter Size

Trim: Adjustable only compatible with 1" or 2" Trim.

100 (1")
 103-1 (1-1/2")
 103-2 (2")

Trim Corner Style:

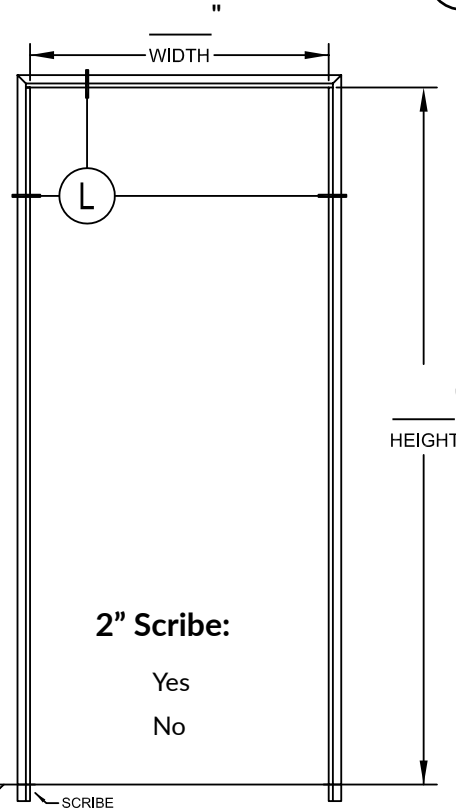
Square
 Miter

Quantity: _____

Mark #: _____

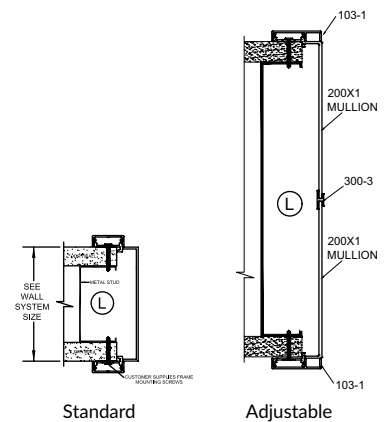
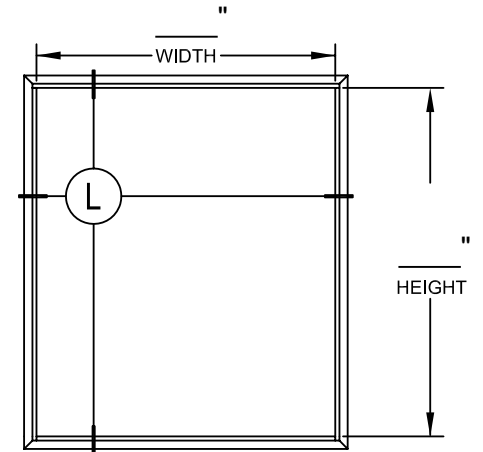
Special Instructions:

3-Sided Cased Opening



OR

4-Sided Cased Opening



Blank Elevation Form is available for complicated elevations.